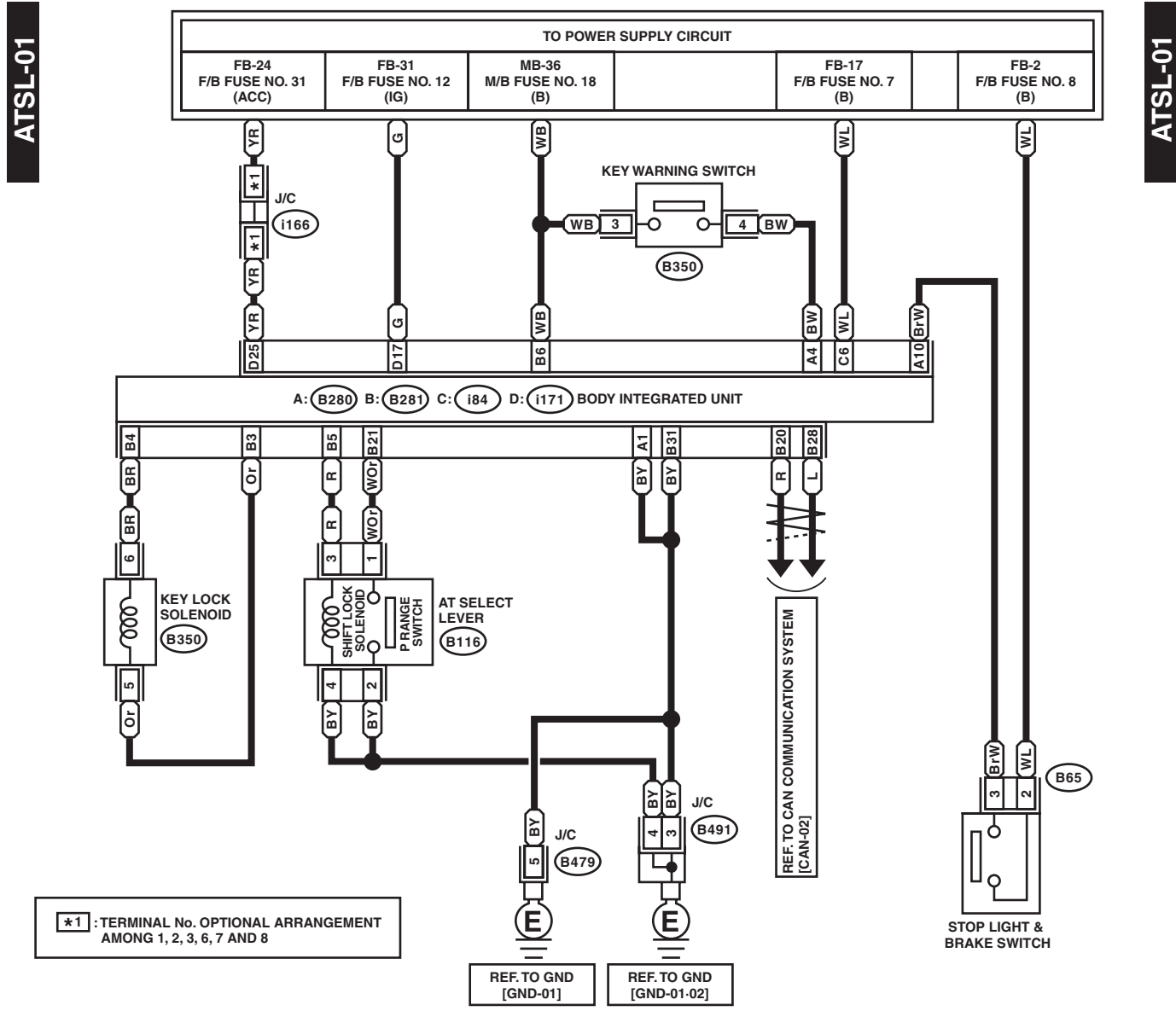


48.Shift Lock Control System

A: WIRING DIAGRAM

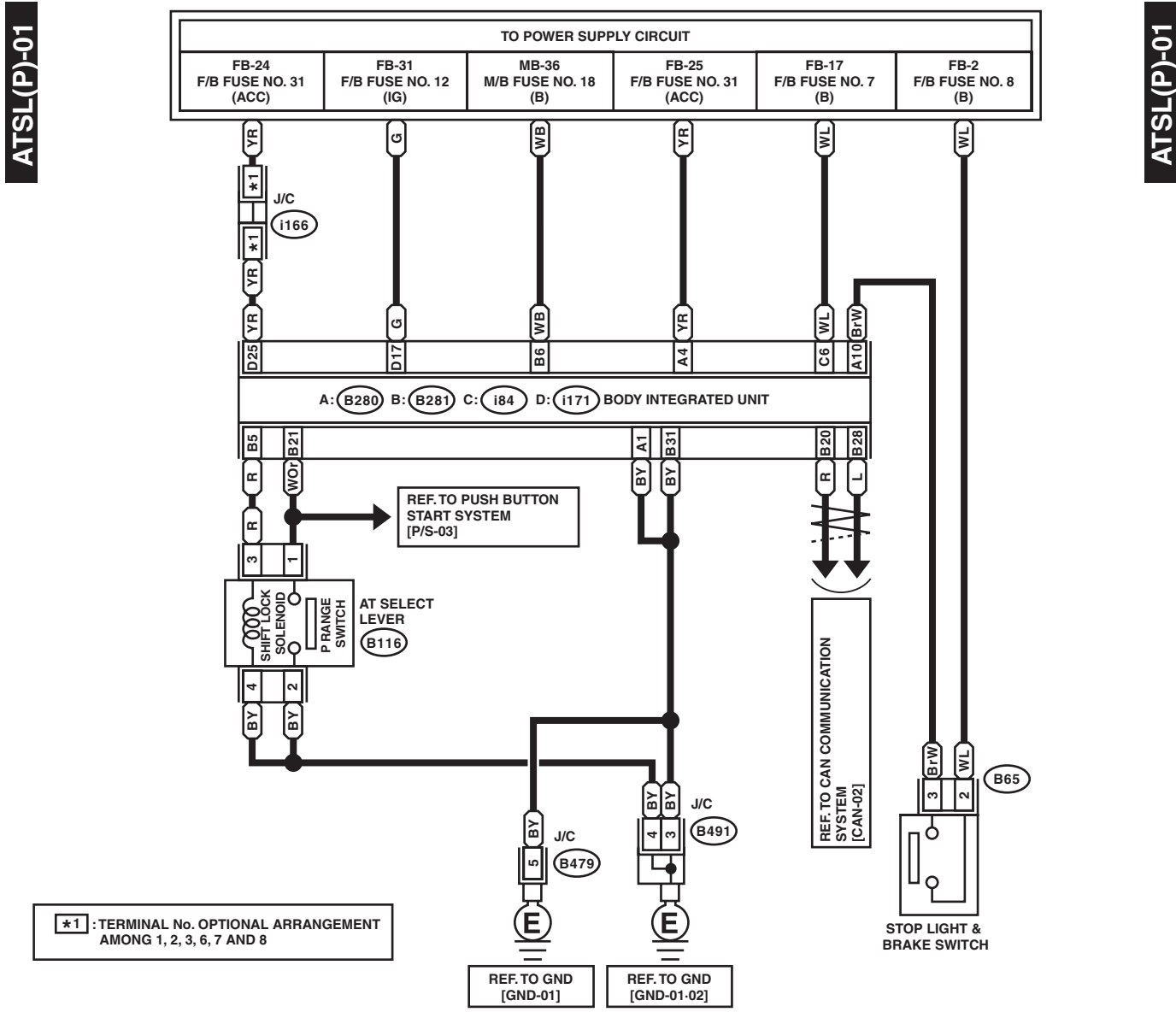
1. WITHOUT PUSH BUTTON START



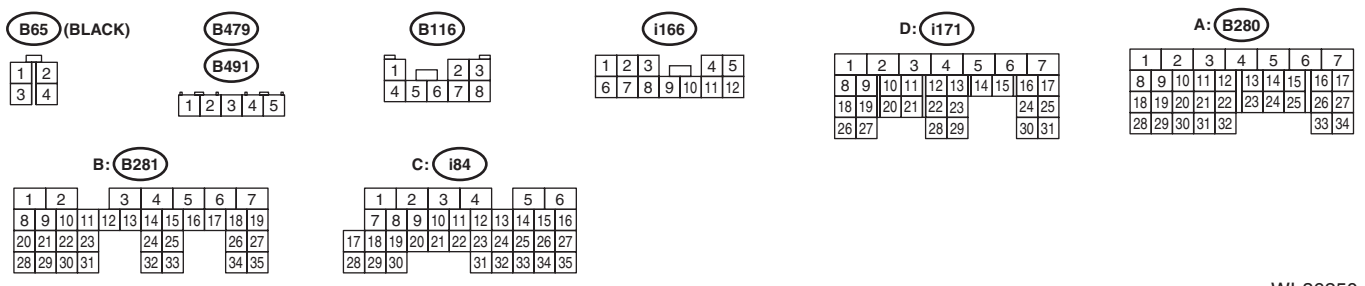
Shift Lock Control System

WIRING SYSTEM

2. WITH PUSH BUTTON START



*1 : TERMINAL No. OPTIONAL ARRANGEMENT AMONG 1, 2, 3, 6, 7 AND 8



WI-36250