

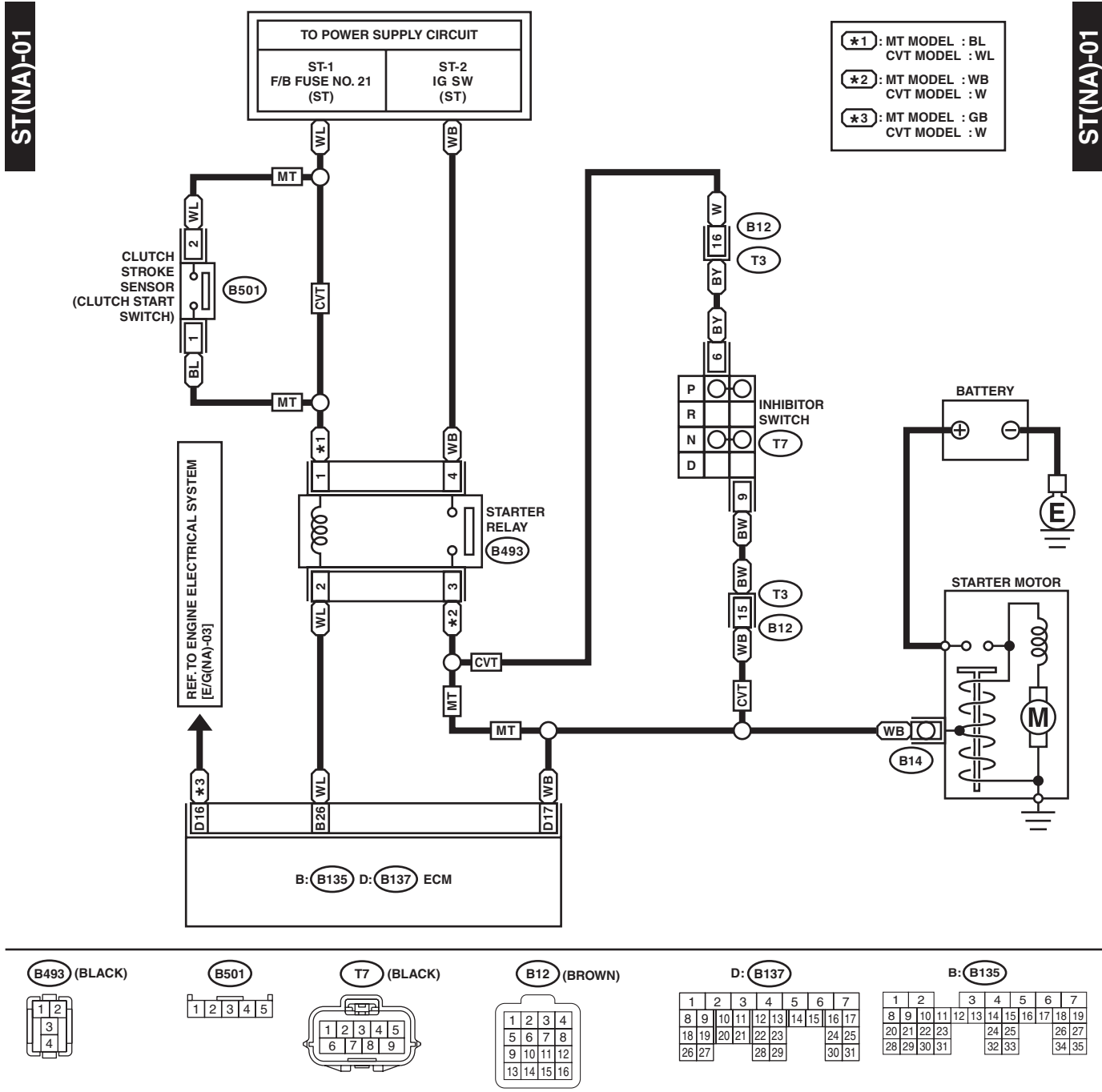
Starter System

WIRING SYSTEM

50. Starter System

A: WIRING DIAGRAM

1. 2.5 L MODEL (WITHOUT PUSH BUTTON START)



WI-36350

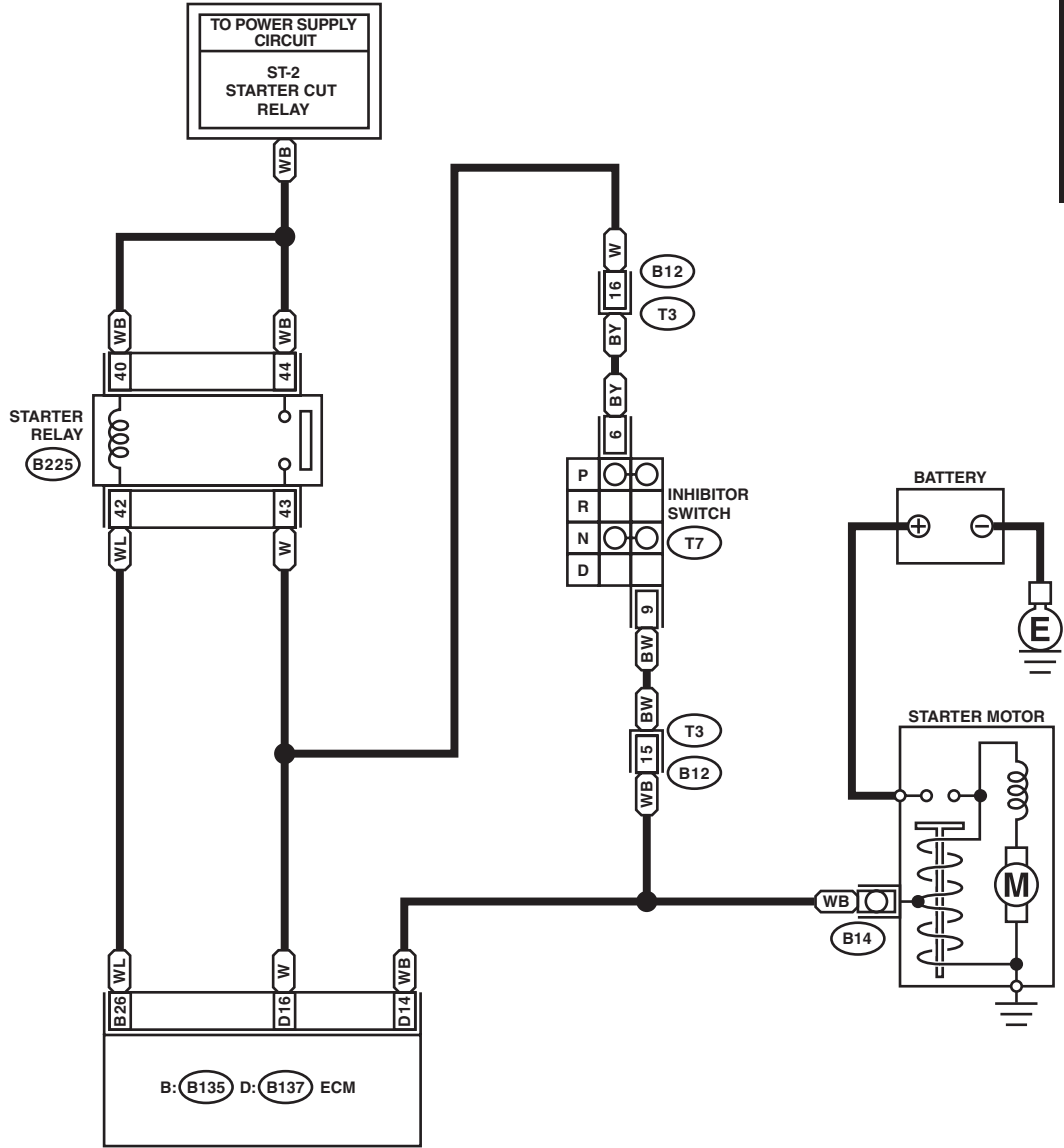
Starter System

WIRING SYSTEM

2. 2.5 L MODEL (WITH PUSH BUTTON START)

ST(NAP)-01

ST(NAP)-01



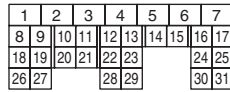
T7 (BLACK)



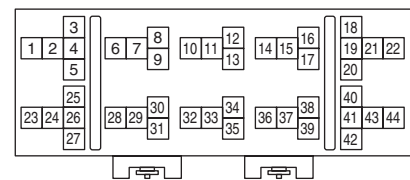
B12 (BROWN)



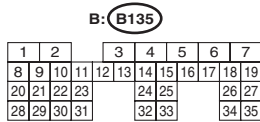
D: B137



B225



RELAY HOLDER



WI-36351

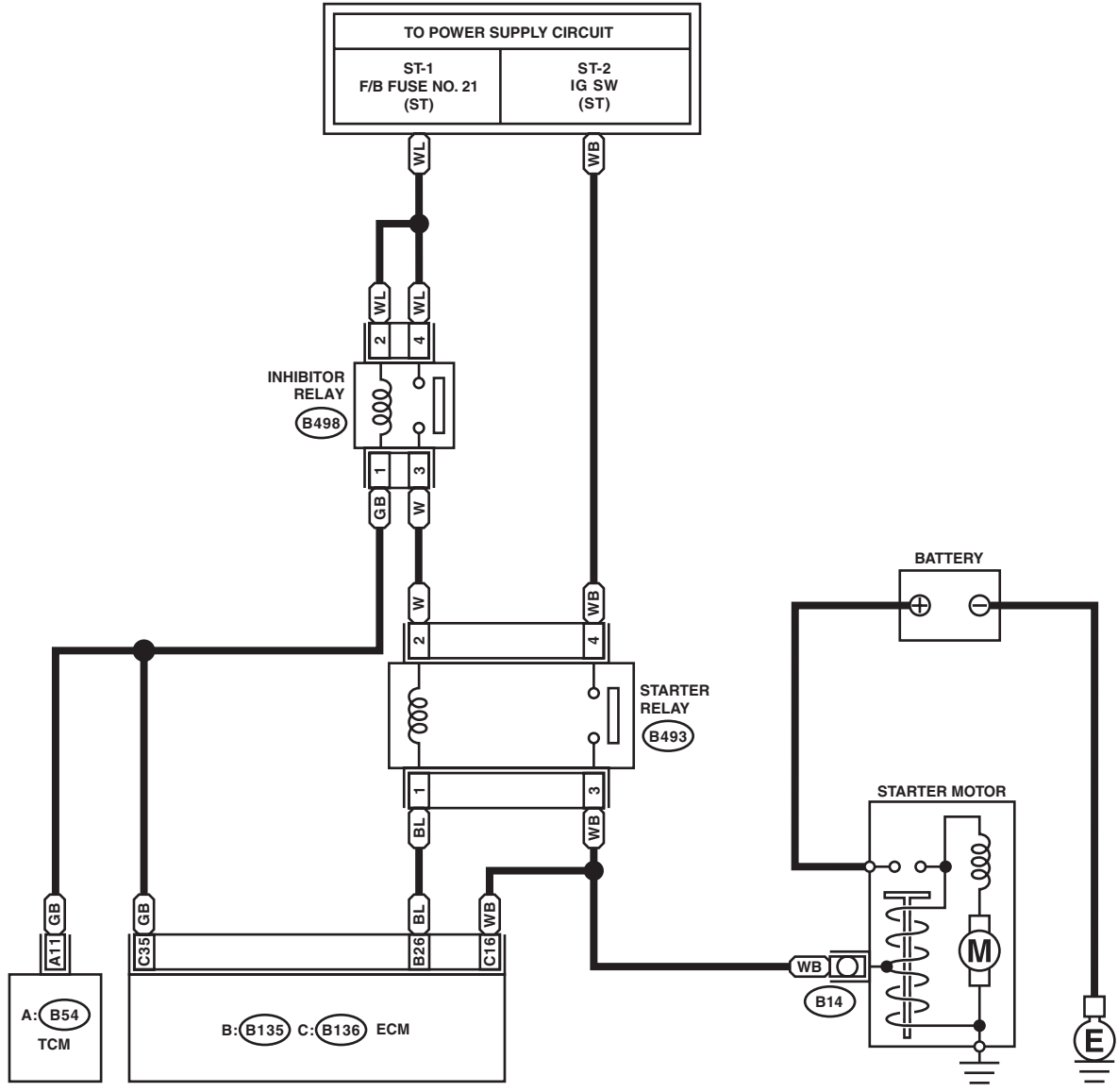
Starter System

WIRING SYSTEM

3. 3.6 L MODEL (WITHOUT PUSH BUTTON START)

ST(H6)-01

ST(H6)-01



B493 (BLACK)

B498 (BLACK)



A: B54 B: B135

1	2	3	4	5	6	7					
8	9	10	11	12	13	14	15	16	17	18	19
20	21	22	23	24	25	26	27				
28	29	30	31	32	33	34	35				

C: B136

1	2	3	4	5	6					
7	8	9	10	11	12	13	14	15	16	
17	18	19	20	21	22	23	24	25	26	27
28	29	30		31	32	33	34	35		

WI-36352

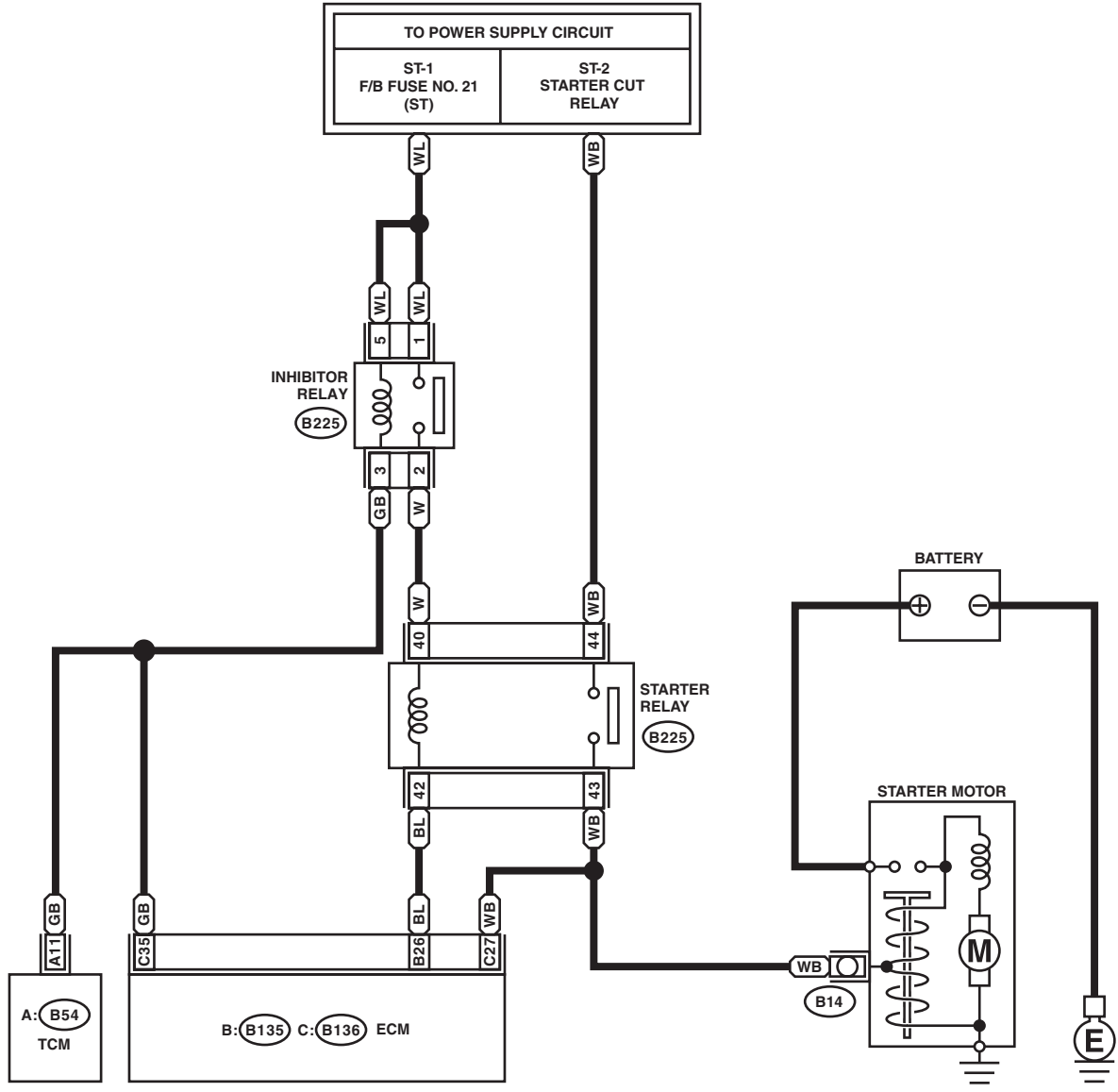
Starter System

WIRING SYSTEM

4. 3.6 L MODEL (WITH PUSH BUTTON START)

ST(H6P)-01

ST(H6P)-01

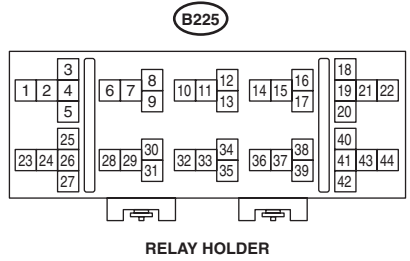


A: B54 B: B135

1	2	3	4	5	6	7									
8	9	10	11	12	13	14	15	16	17	18	19				
20	21	22	23	24	25	26	27	28	29	30	31	32	33	34	35

C: B136

1	2	3	4	5	6													
7	8	9	10	11	12	13	14	15	16									
17	18	19	20	21	22	23	24	25	26	27	28	29	30	31	32	33	34	35



WI-36353