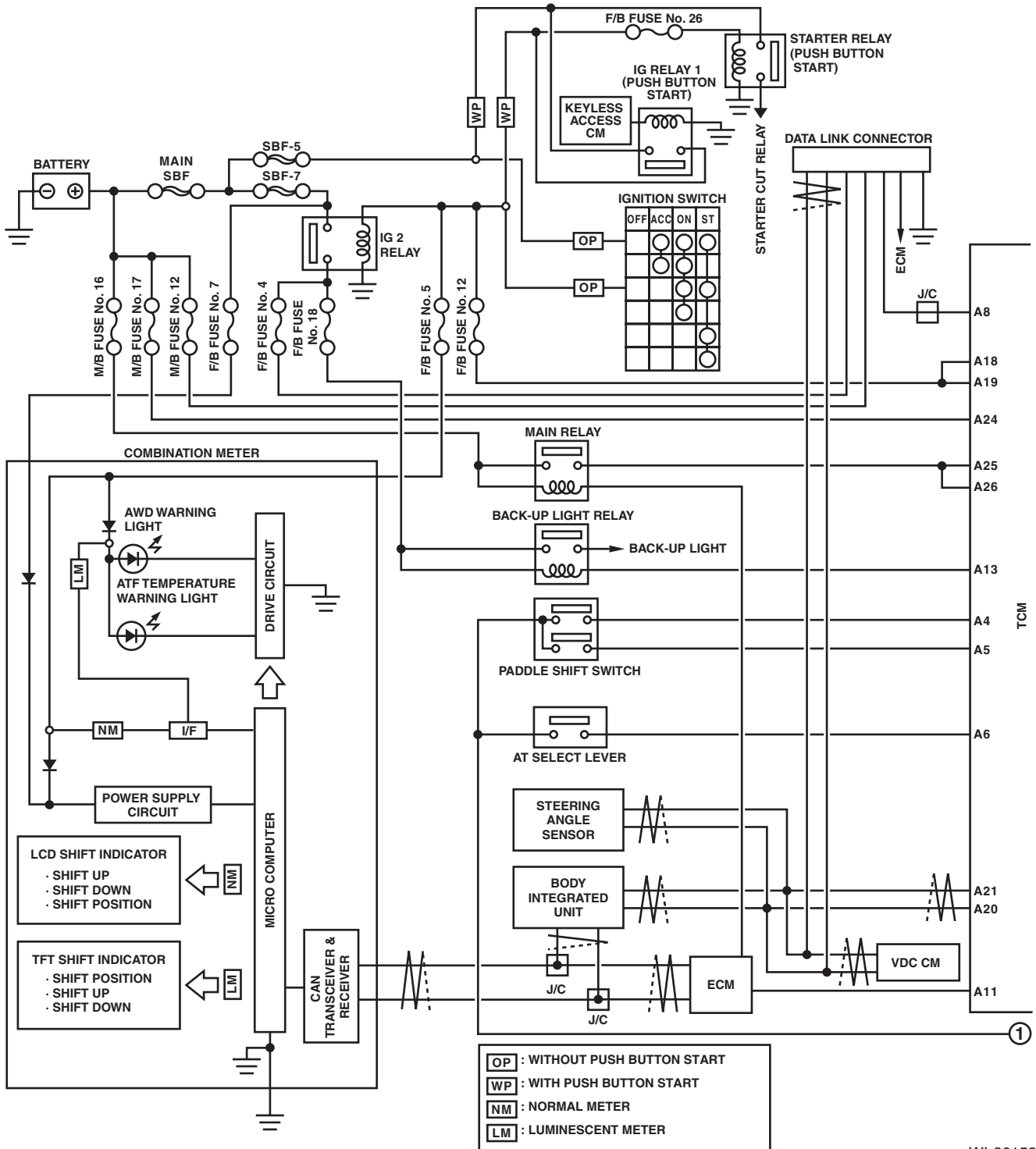


# AT Control System

## WIRING SYSTEM

### 7. AT Control System

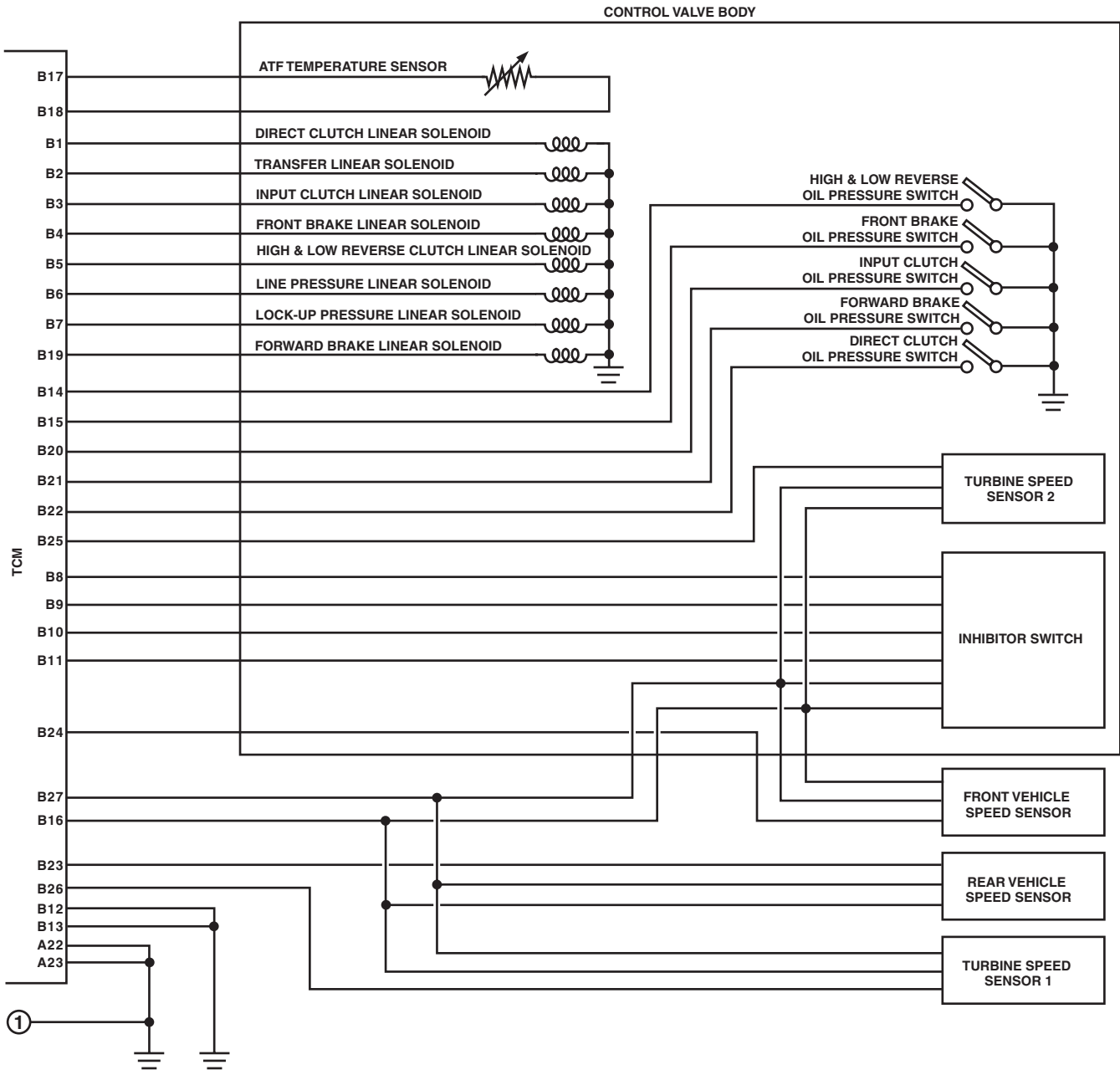
#### A: WIRING DIAGRAM



WI-36153

# AT Control System

## WIRING SYSTEM



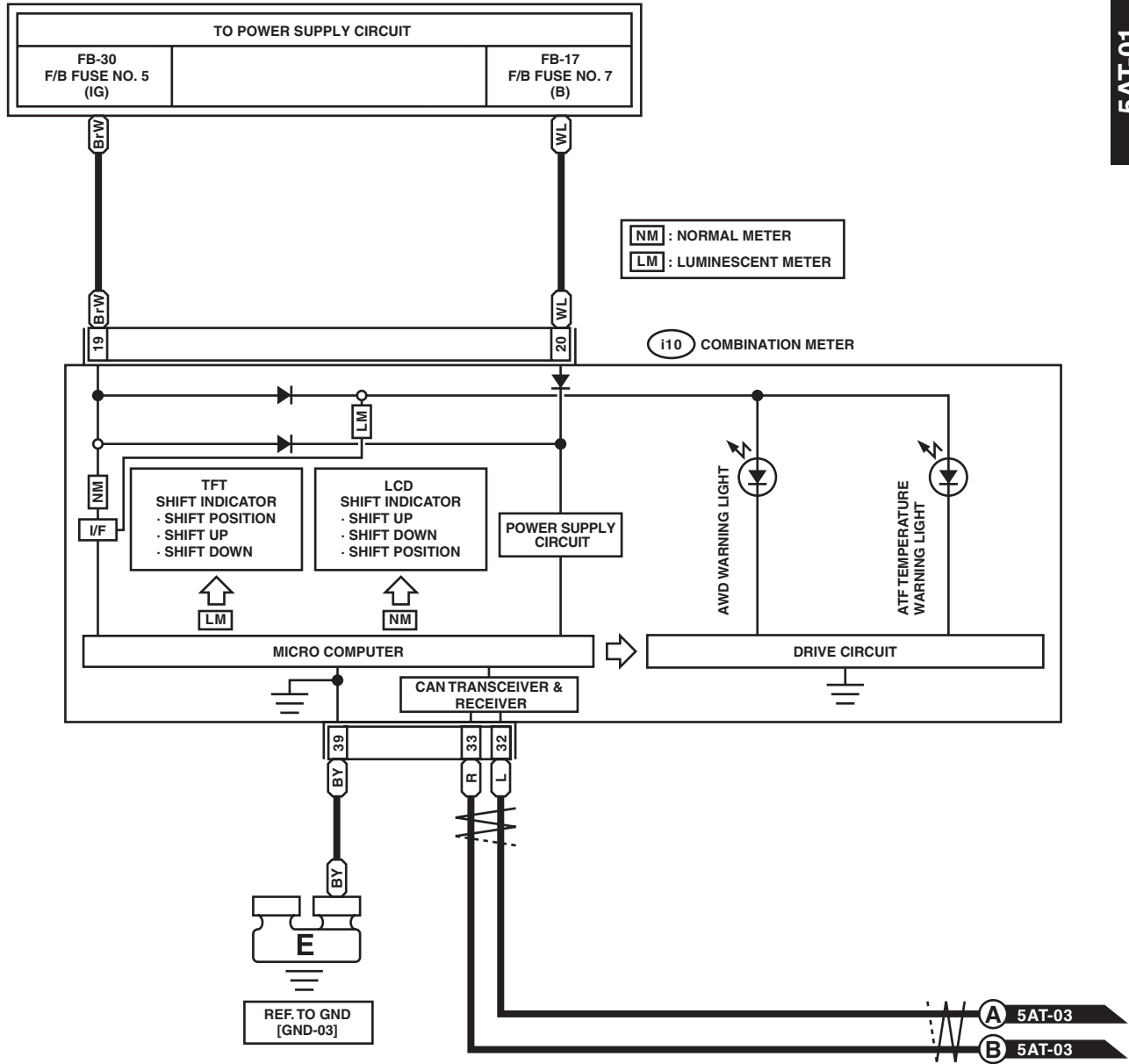
WI-25427

# AT Control System

## WIRING SYSTEM

5AT-01

5AT-01



**i10**

1	2	3	4	5	6	7	8	9	10	11	12	13	14	15	16	17	18	19	20
21	22	23	24	25	26	27	28	29	30	31	32	33	34	35	36	37	38	39	40

WI-36154

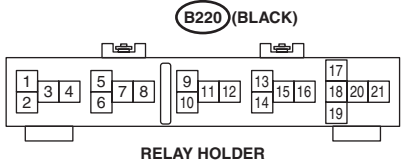
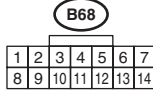
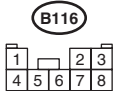
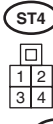
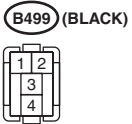
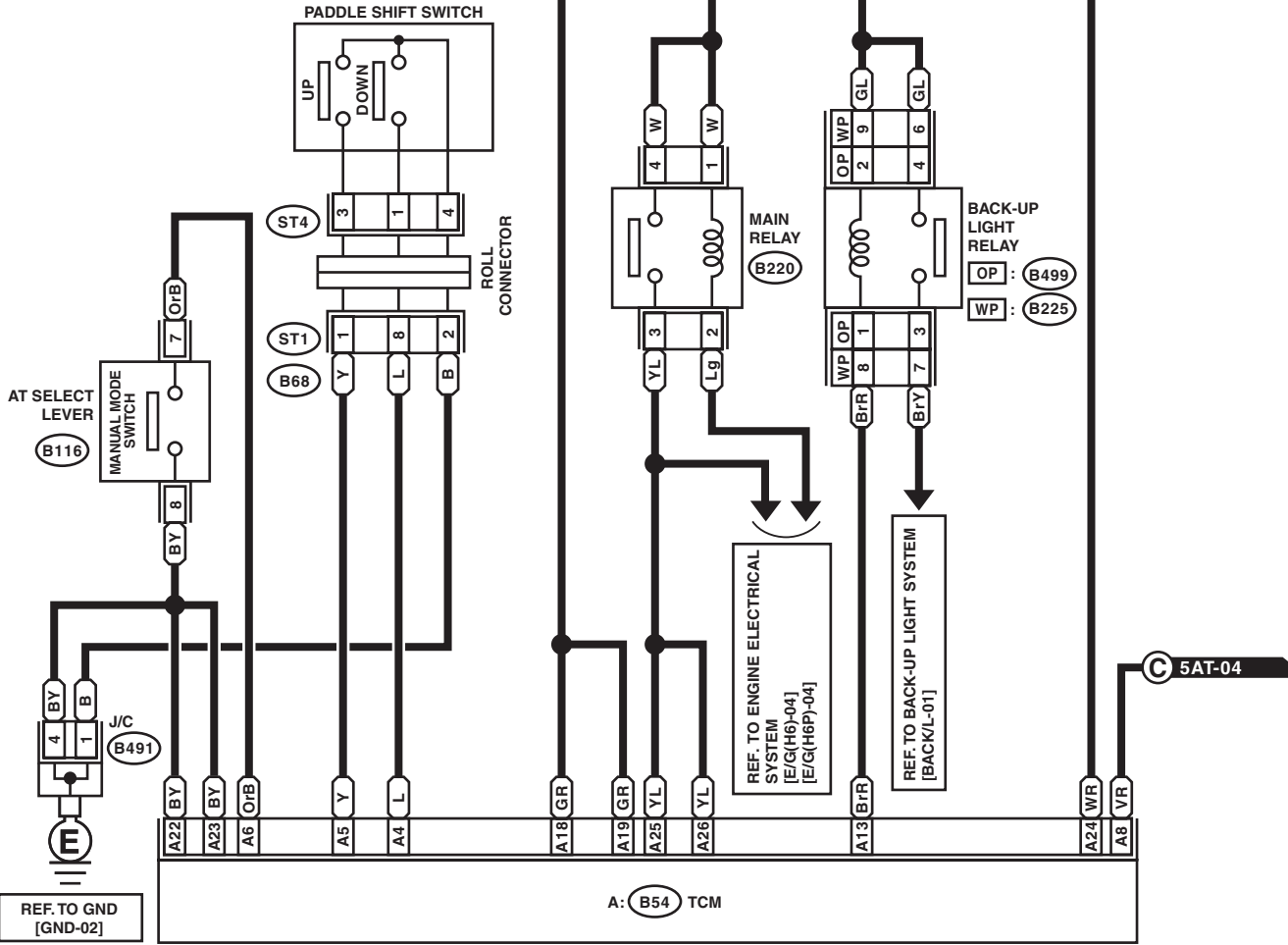
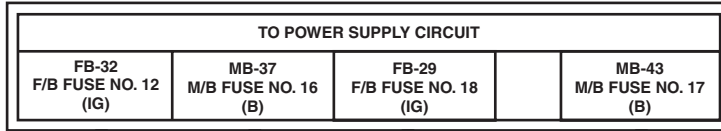
# AT Control System

WIRING SYSTEM

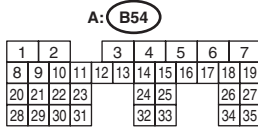
5AT-02

5AT-02

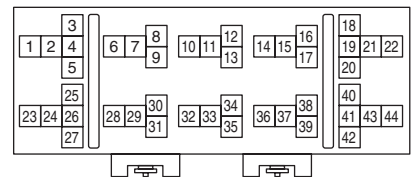
OP : WITHOUT PUSH BUTTON START  
 WP : WITH PUSH BUTTON START



RELAY HOLDER



A: B54

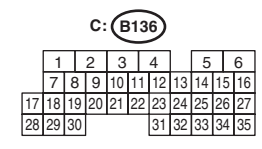
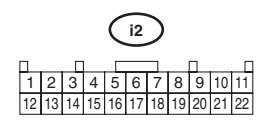
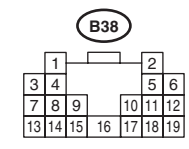
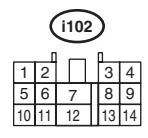
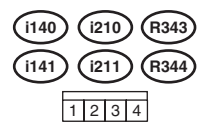
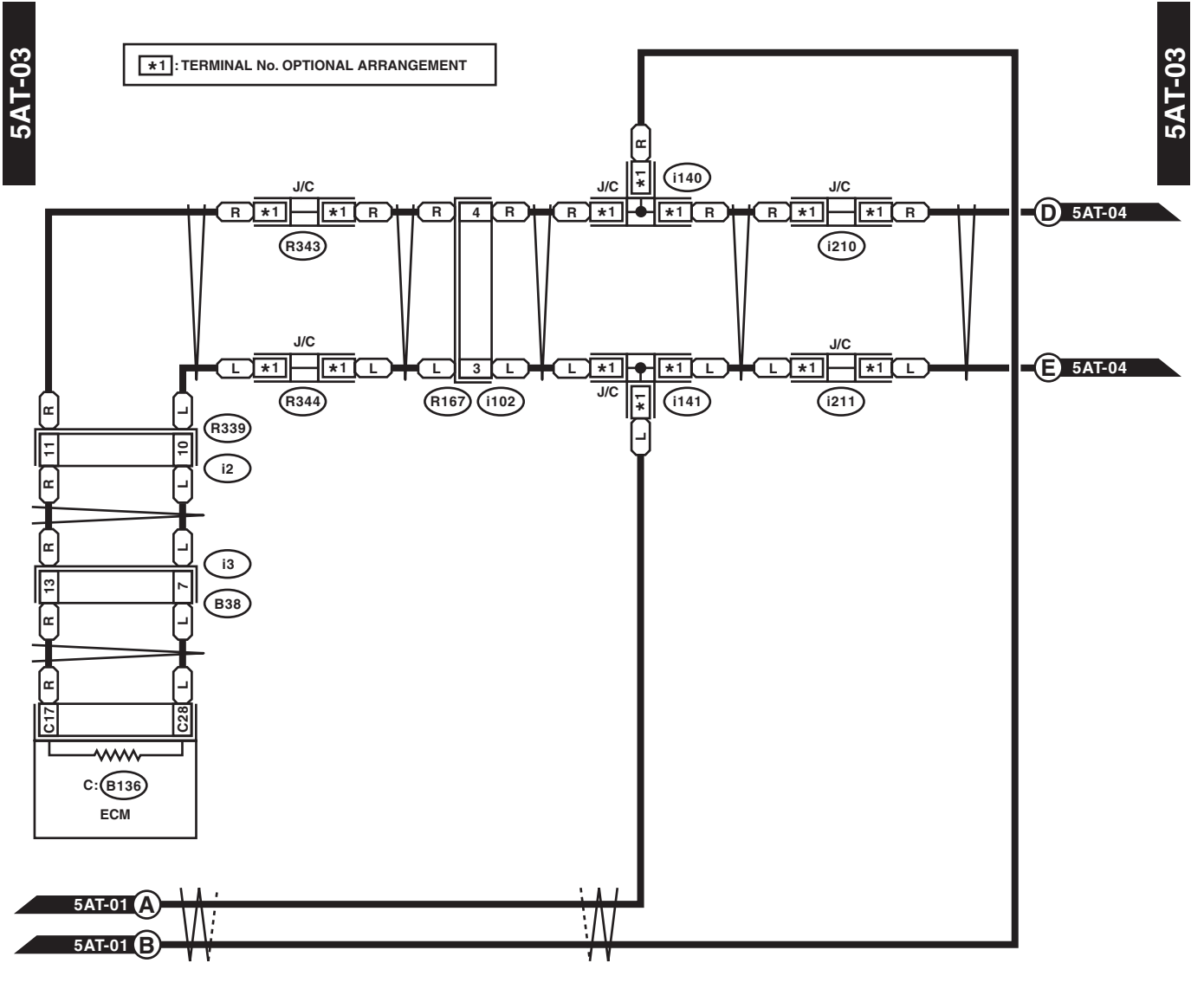


RELAY HOLDER

WI-36155

# AT Control System

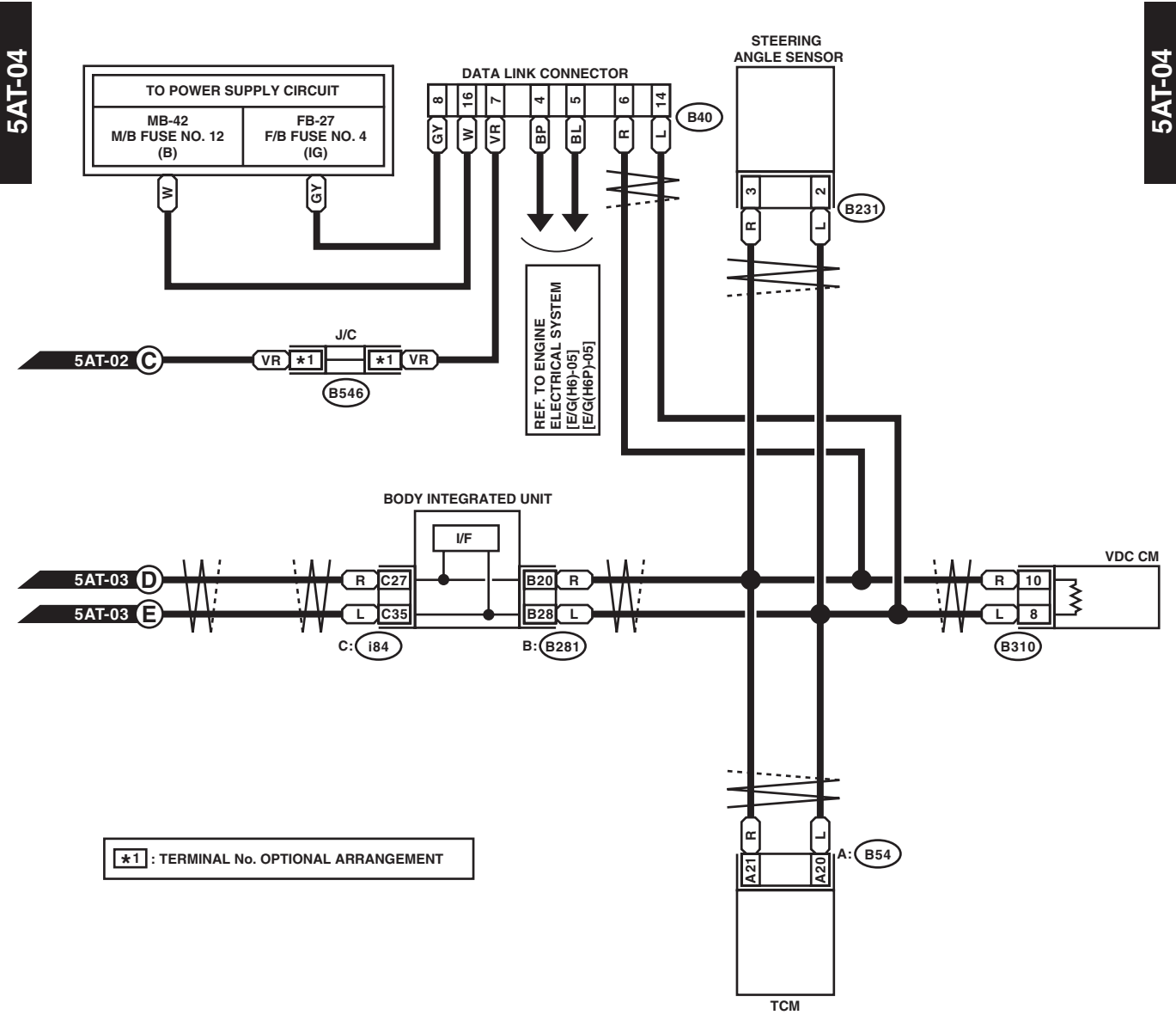
## WIRING SYSTEM



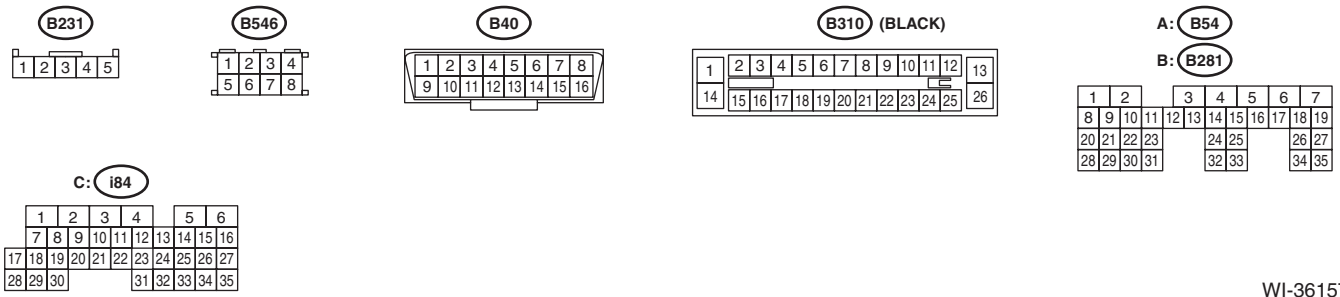
WI-36156

# AT Control System

WIRING SYSTEM



**5AT-04**



WI-36157

