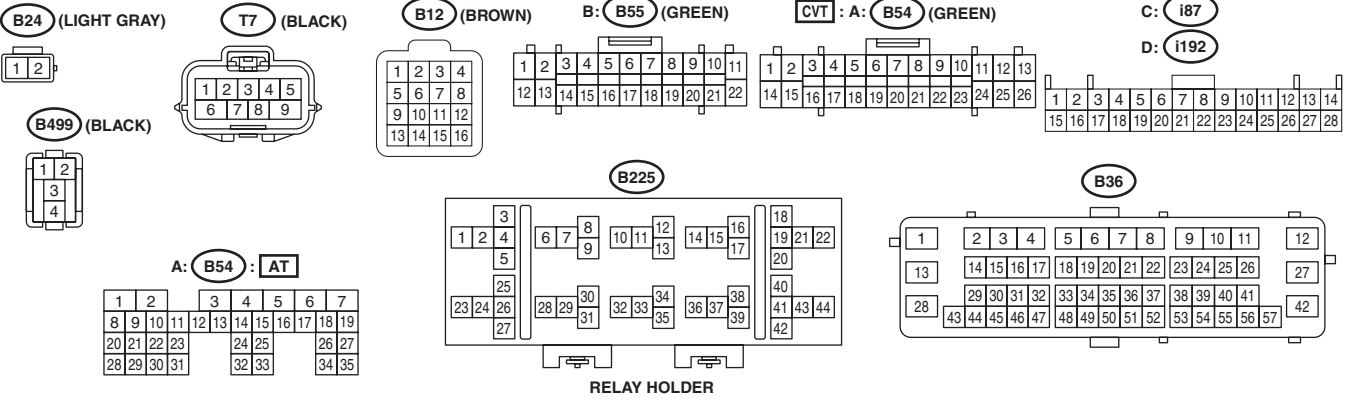
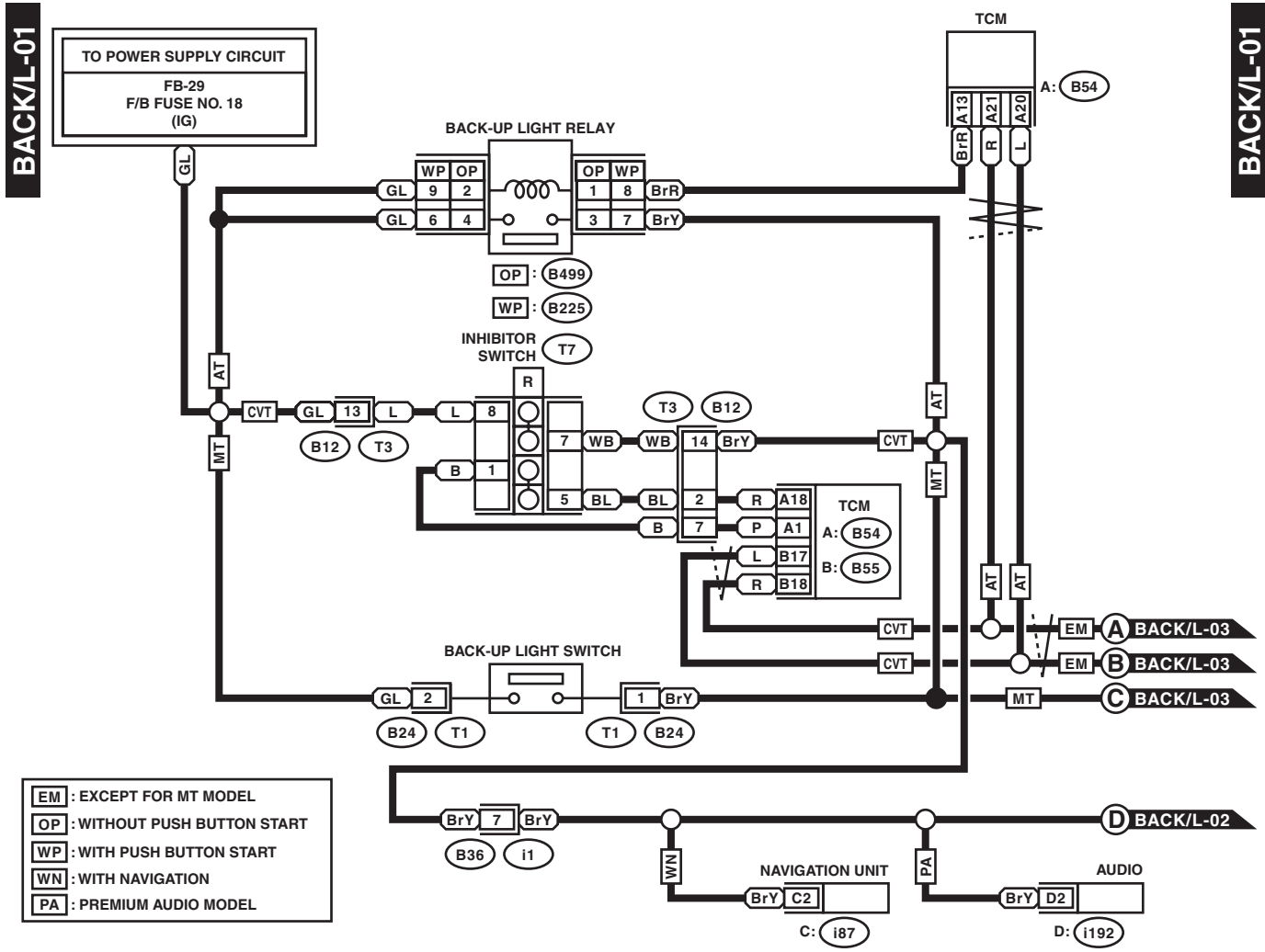


Back-up Light System

WIRING SYSTEM

9. Back-up Light System

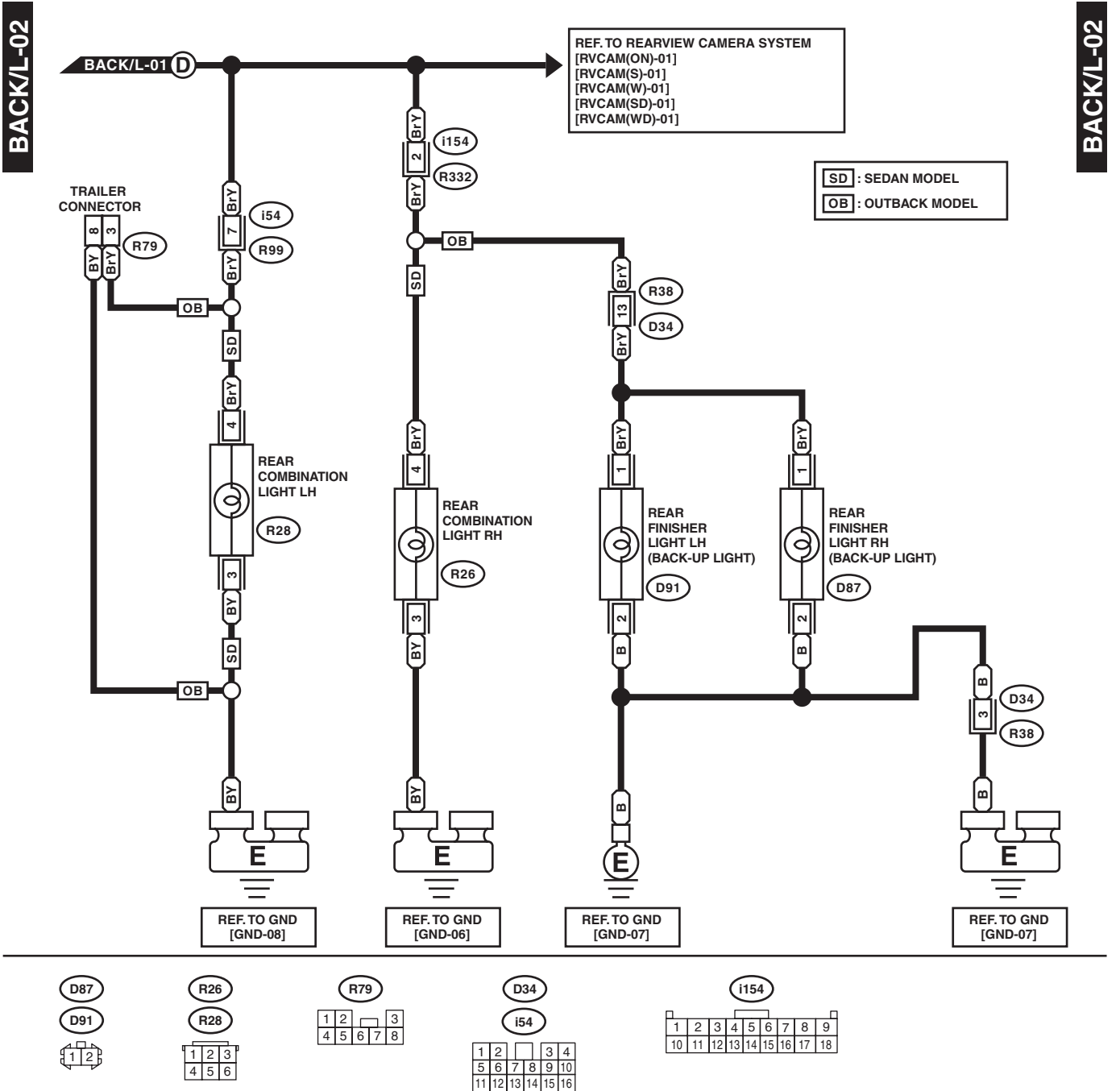
A: WIRING DIAGRAM



WI-36172

Back-up Light System

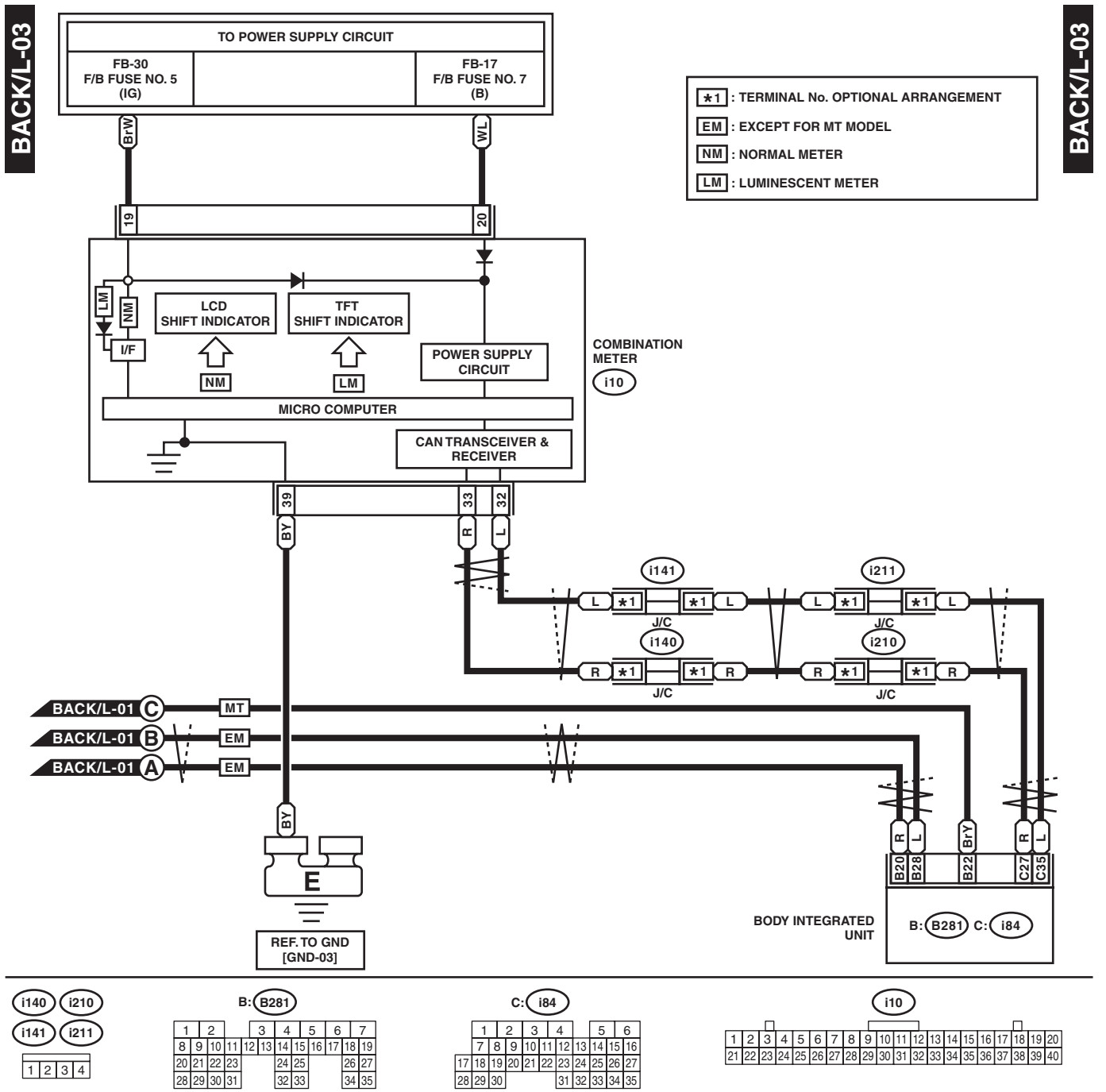
WIRING SYSTEM



WI-36173

Back-up Light System

WIRING SYSTEM



WI-36174