

Identification

IDENTIFICATION

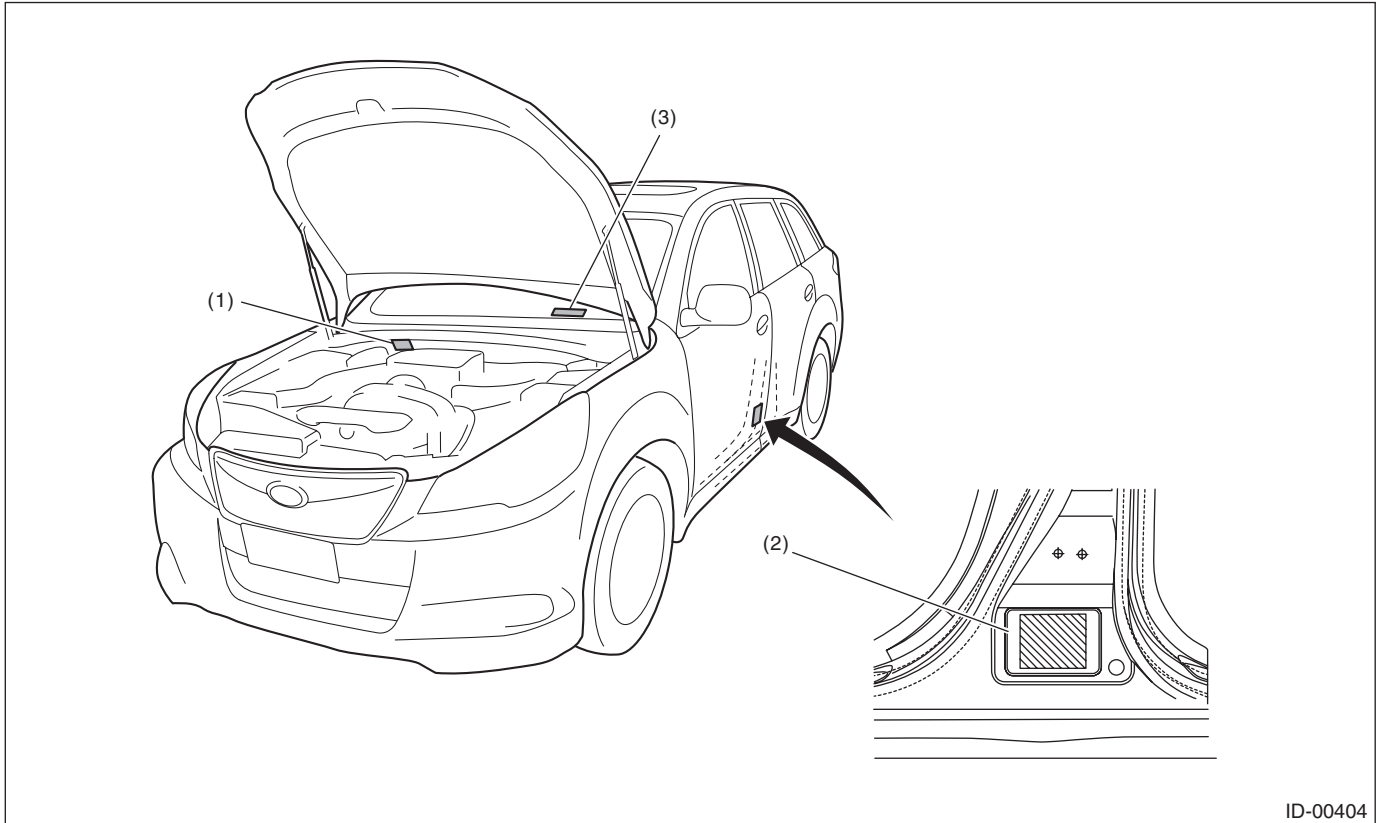
1. Identification

A: IDENTIFICATION

1. IDENTIFICATION NUMBER & LABEL LOCATIONS

The V.I.N. (Vehicle Identification Numbers) is used to classify the vehicle.

- Positioning of the plate label for identification



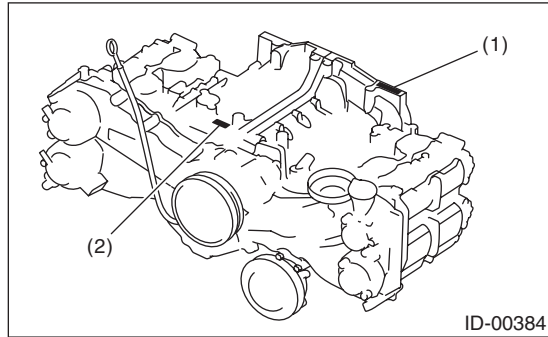
ID-00404

(1) Vehicle identification number
(V.I.N.)

(2) FMVSS label (U.S. model)
(left side)
CMVSS label (Canada model)
(left side)
Model No. label (Korea model)
(right side)

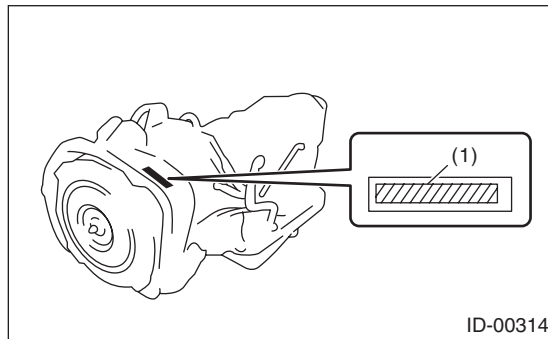
(3) VIN plate

- **Engine**



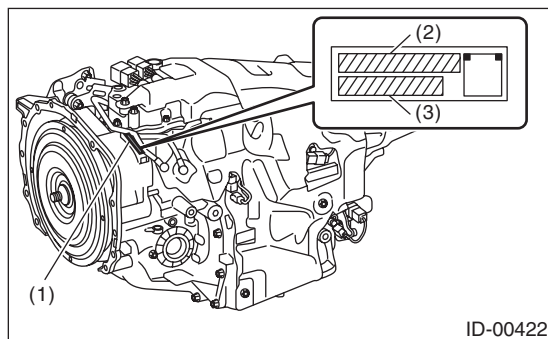
- (1) Engine serial number (punch mark)
- (2) Engine type (casting) crankcase upper side

- **Automatic transmission 5AT**



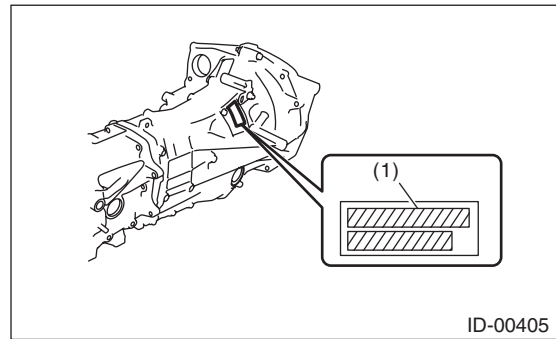
- (1) Transmission serial number label and AT type label

- **CVT**



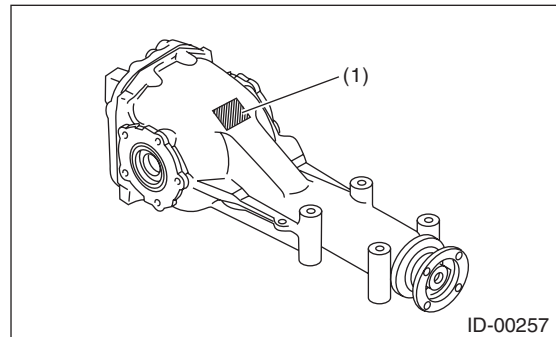
- (1) Label
- (2) CVT type label
- (3) Transmission serial No. label

- **Manual transmission 6MT**



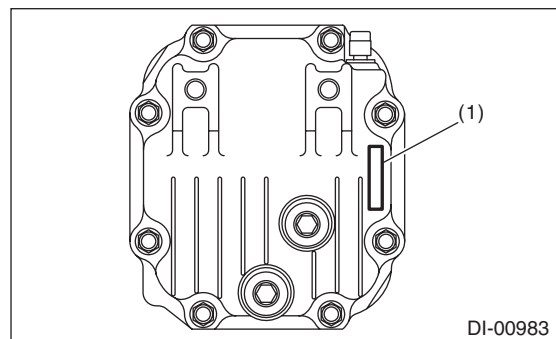
- (1) Transmission serial number label and MT type label

- **Rear differential T-type**



- (1) Identification (white paint)

- **VA1-type**

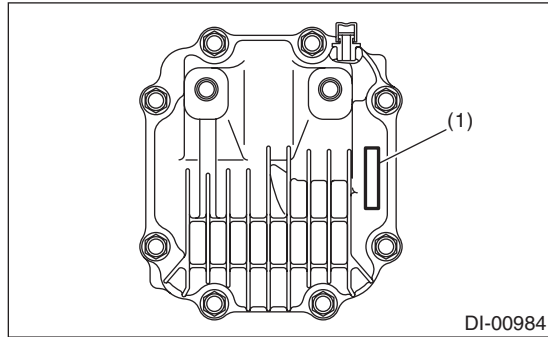


- (1) Type (label)

Identification

IDENTIFICATION

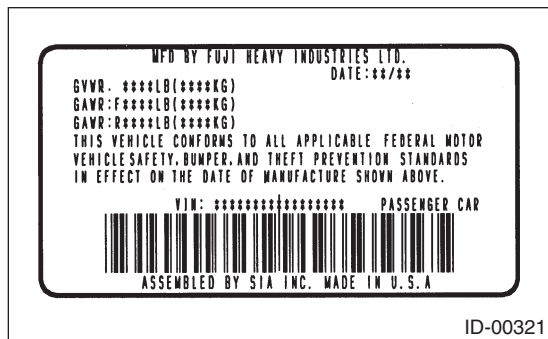
VA2-type



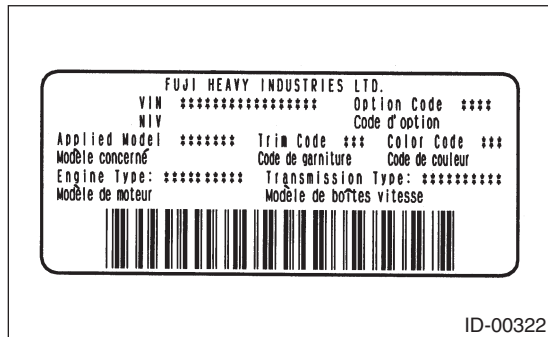
(1) Type (label)

• FMVSS LABEL, CMVSS LABEL

Example (FMVSS label)



• Model number label



2. MEANING OF V.I.N.

The meaning of the V.I.N. is as follows:

[4S3BMAA6XE1002001]

The starting and ending brackets ([]) are stop marks.

Digits	Code	Meaning	Details
1 — 3	4S3	Manufacturer body area	4S3: All models except OUTBACK model for C0 4S4: OUTBACK for C0
4	B	Car line	B: LEGACY/OUTBACK
5	M	Body type	M: Sedan R: Wagon
6	A	Total emission and destination	A: 2.5 L non-turbo for U4 B: 2.5 L non-turbo for U5 C: 2.5 L non-turbo for U6 D: 3.6 L non-turbo for U5 E: 3.6 L non-turbo for U6 G: 2.5 L non-turbo for C0 H: 2.5 L non-turbo for C5 J: 3.6 L non-turbo for C0
7	A	Grade	A: Base B: Premium C: Premium + cold weather package D: Premium + cwp + M/R E: Premium + M/R + cwp + Navi F: Premium + cold weather package + M/R + EyeSight G: Sport + cold weather package H: Sport + M/R + cold weather package J: Sport + cwp + Navi + M/R K: Limited + cwp L: Limited + M/R + cwp M: Limited + M/R + cwp + Navi N: Limited + M/R + EyeSight + cwp + Navi P: Touring + M/R + navigation + cwp + EyeSight
8	6	Restraint system or GVWR Class	6: Manual belt, dual airbag, side airbag for seat back + curtain airbag for roof (except for OUTBACK model) C: Manual belt, dual airbag, side airbag for seat back + curtain airbag for roof, class C (GVWR 4,001 — 5,000 lb) (for OUTBACK model)
9	X	Check digit	0 — 9 & X
10	E	Model year	E: 2014MY
11	1	Transmission type	1: Full-time AWD 6MT 2: Full-time AWD 5AT 3: Full-time AWD CVT
12 — 17	002001	Serial number	002001 — 199999: Sedan 200001 — 399999: Wagon

Identification

IDENTIFICATION

3. MODEL NUMBER LABEL

The model number label indicates: the applied model, the option code, the trim code, the engine type, the transmission type, and the exterior color code. This information is helpful when placing orders for parts.

• **BMMEY4A**

Digits	Code	Meaning	Details
1	B	Series	LEGACY
2	M	Body type	M: Sedan R: Wagon
3	M	Total engine displacement Drive system Suspension system	M: 2.5 L AWD F: 3.6 L AWD
4	E	Model year	E: 2014MY
5	Y	Destination	Y: U.S.A., Canada
6	4	Grade	4: 2.5 i 5: 2.5 i Premium 6: 2.5 i Limited 7: 2.5 i Limited EyeSight 8: 2.5 i-S 9: 2.5 i PLUS A: 2.5 i Premium EyeSight E: OUTBACK 2.5 i PLUS F: 3.6 R G: 3.6 R Premium H: 3.6 R Limited J: 3.6 R Limited EyeSight K: OUTBACK 2.5 i L: OUTBACK 2.5 i Premium M: OUTBACK 2.5 i Limited N: OUTBACK 2.5 i Limited EyeSight R: OUTBACK 2.5 i Premium EyeSight S: OUTBACK 3.6 R T: OUTBACK 3.6 R Premium U: OUTBACK 3.6 R Limited V: OUTBACK 2.5 i-Touring EyeSight W: OUTBACK 3.6 R Limited EyeSight Y: OUTBACK 3.6 R-Touring EyeSight
7	A	Transmission, fuel feed system	A: DOHC MFI 6MT C: DOHC MFI CVT U: DOHC MFI 5AT

The engine and transmission type are as follows.

• **Engine**

FB25BAYBEB

Digits	Code	Meaning	Details
1 and 2	FB	Engine type	FB: 4 cylinders
3 and 4	25	Displacement	25: 2.5 L
5	B	Fuel feed system	B: MFI non-turbo (DOHC)
6	A	Exhaust regulations	A: For states not using California emission standards C: For states using California emission standards
7	Y	Intake/exhaust system	Y: Intake AVCS, TGV, EGR
8	B	Mounted transmission	B: 6MT H: CVT
9 — 10	EB	Detailed specifications	Used when ordering parts. For details, refer to the parts catalog.

EZ36DBCELB

Digits	Code	Meaning	Details
1 and 2	EZ	Engine type	EZ: 6 cylinders
3 and 4	36	Displacement	36: 3.6 L
5	D	Fuel feed system	D: MFI non-turbo (DOHC, H6)
6	B	Emission regulations	B: For all states
7	C	Mounted transmission	C: D5AT
8 — 10	ELB	Detailed specifications	Used when ordering parts. For details, refer to the parts catalog.

• **Transmission**

1. MT

TY751VHECA

Digits	Code	Meaning	Details
1	T	Transmission	T: Transmission
2	Y	Transmission system	Y: Full-time AWD MT center differential
3 and 4	75	Distance between gear center	75: Between main shaft and drive pinion
5	1	Classification	1: 6MT
6	V	Transmission specifications	V: Full-time AWD single range 6MT with viscous coupling center differential
7	H	Mounted engine	H: 2.5 L DOHC non-turbo
8 — 10	ECA	Detailed specifications	Used when ordering parts. For details, refer to the parts catalog.

Identification

IDENTIFICATION

2. AT TG5D8CJEAA

Digits	Code	Meaning	Details
1	T	Transmission	T: Transmission
2	G	Transmission system	G: Full-time AWD 5AT center differential
3 and 4	5D	Transmission classification	5D: 5AT
5	8	Classification	8: 5AT
6	C	Transmission specifications	C: Full-time AWD direct 5AT with VTD type center differential
7	J	Mounted engine	J: 3.6 L DOHC non-turbo
8 — 10	EAA	Detailed specifications	Used when ordering parts. For details, refer to the parts catalog.

3. CVT TR580KHEAA

Digits	Code	Meaning	Details
1	T	Transmission	T: Transmission
2	R	Transmission type	R: Full-time AWD CVT
3 and 4	58	Distance between gear center	58: Between pulley centers
5	0	Classification	0: CVT
6	K	Transmission specifications	K: Active torque split type full-time AWD CVT
7	H	Mounted engine	H: 2.5 L DOHC non-turbo
8 — 10	EAA	Detailed specifications	Used when ordering parts. For details, refer to the parts catalog.

• Rear differential

Code	Reduction gear ratio	LSD
Y2	3.900	None
XC	3.083	None
XD	3.700	None
T2	4.111	None
TP	4.444	None

Identification

IDENTIFICATION

• Option

U5AB

Digits	Code	Meaning	Details
1 — 2	U5	Destination	C0: Canada C5: Canada (PZEV) U4: U.S.A. U5: U.S.A. (for states using California emission standards) U6: U.S.A. (for states not using California emission standards)
3 — 4	AB	Option equipment	Refer to the option list

• 3-digit number

	A	B	C	D	J	S	X
Power seat	—	○	○	○	○	○	—
Keyless access with push button start	—	—	—	○	—	—	—
Genuine leather seat	—	—	○	○	—	○	—
E package	○	—	—	—	—	—	—
Rearview camera	—	—	—	—	—	—	—
Rearview camera automatic anti-glare mirror + HomeLink	—	—	—	○	○	○	—

• 4-digit number

	A	B	C	E	F	H	I	J
Dark colored glass	—	—	—	—	○	○	○	○
Winter pack	○	—	○	○	○	○	○	—
Navigation system	—	—	—	○	—	○	—	—
M-type navigation + wide monitor	—	—	—	—	—	—	—	—
Side & curtain airbags	○	○	○	○	○	○	○	○
Sunroof	—	—	○	○	○	○	—	—

Identification

IDENTIFICATION

RECOMMENDED MATERIALS

RM

	Page
1. Recommended Materials	2

