

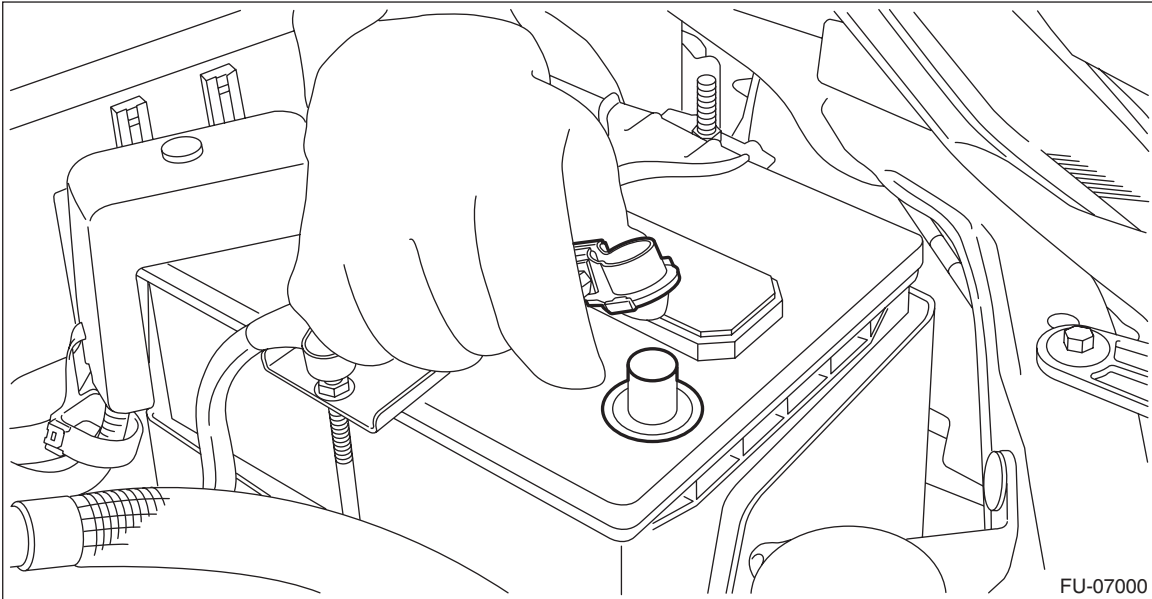
# Radiator Sub Fan and Fan Motor

COOLING

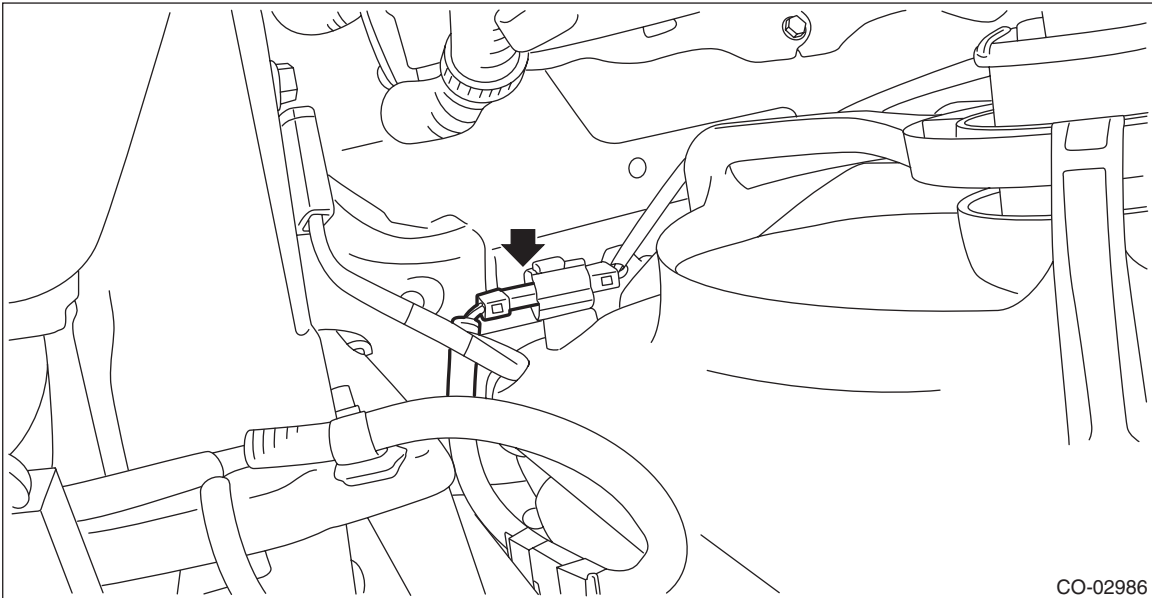
## 9. Radiator Sub Fan and Fan Motor

### A: REMOVAL

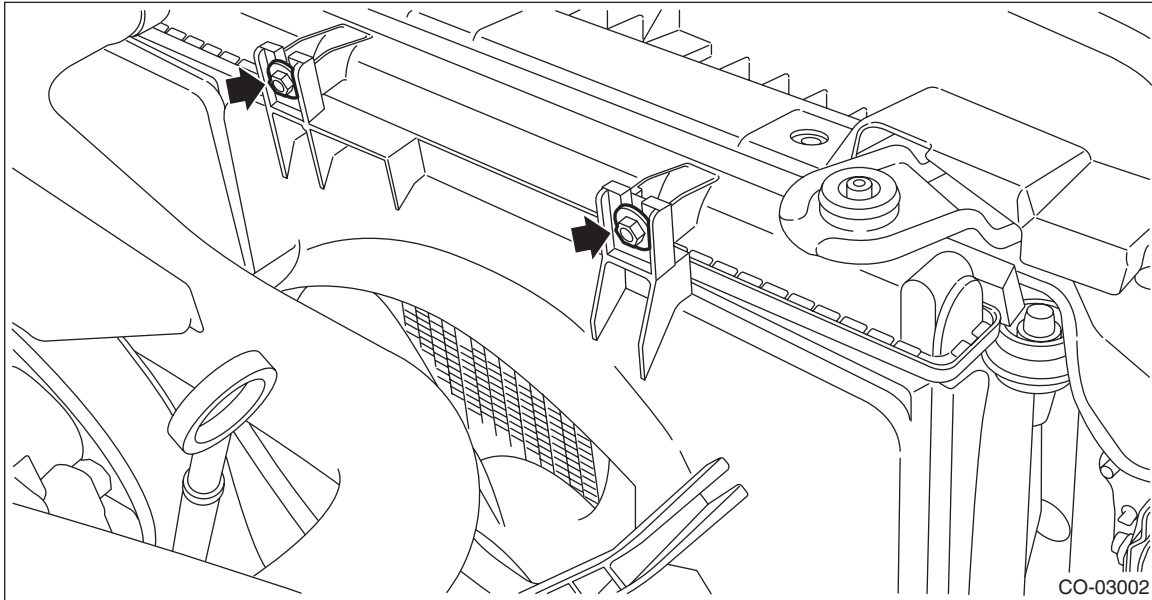
- 1) Disconnect the ground cable from battery.



- 2) Remove the air intake duct. <Ref. to IN(H4DO)-14, REMOVAL, Air Intake Duct.>
- 3) Disconnect the connector from the sub fan motor assembly.



- 4) Remove the bolts which hold the radiator sub fan shroud onto the radiator.



- 5) Remove the radiator sub fan and fan motor from vehicle.

## B: INSTALLATION

### CAUTION:

Confirm that the radiator hose is securely connected.

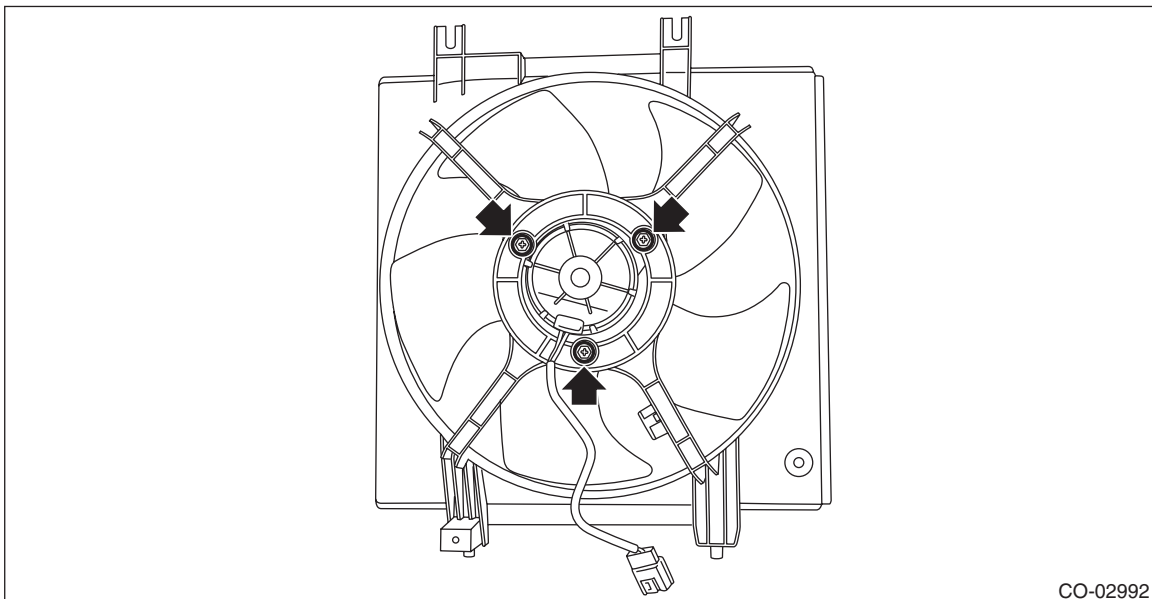
Install in the reverse order of removal.

### Tightening torque:

*7.5 N·m (0.8 kgf-m, 5.5 ft-lb)*

## C: DISASSEMBLY

- 1) Remove the clip which holds the sub fan motor assembly connector onto the radiator sub fan shroud.
- 2) Remove the sub fan motor assembly from the radiator sub fan shroud.



# Radiator Sub Fan and Fan Motor

COOLING

---

## **D: ASSEMBLY**

Assemble in the reverse order of disassembly.

### *Tightening torque:*

*5 N·m (0.5 kgf·m, 3.7 ft-lb)*

## **E: INSPECTION**

Check that the radiator sub fan, radiator sub fan shroud and sub fan motor assembly do not have deformation, cracks or damage.