

# General Description

EMISSION CONTROL (AUX. EMISSION CONTROL DEVICES)

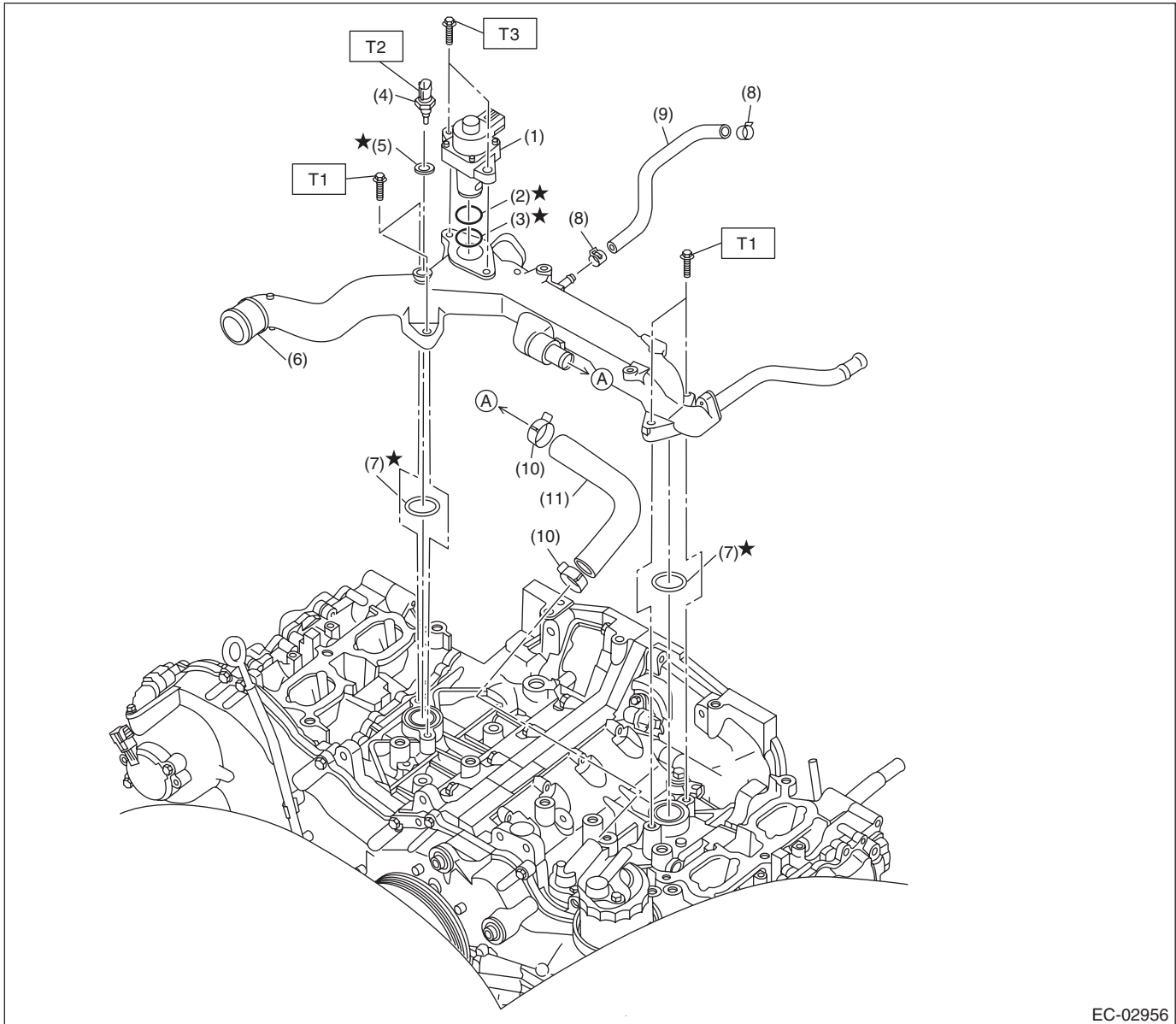
## 1. General Description

### A: COMPONENT

#### 1. CANISTER, PURGE CONTROL SOLENOID VALVE AND DRAIN FILTER

For components of canister, purge control solenoid valve, and drain filter, refer to FU (H4DO). <Ref. to FU(H4DO)-3, COMPONENT, General Description.>

#### 2. EGR SYSTEM 1



EC-02956

- |                                       |                       |
|---------------------------------------|-----------------------|
| (1) EGR control valve                 | (7) O-ring            |
| (2) O-ring                            | (8) Clip              |
| (3) Gasket                            | (9) Preheater hose A  |
| (4) Engine coolant temperature sensor | (10) Clip             |
| (5) Gasket                            | (11) Preheater hose B |
| (6) Water pipe ASSY                   |                       |

**Tightening torque: N·m (kgf-m, ft-lb)**

**T1: 6.4 (0.7, 4.7)**

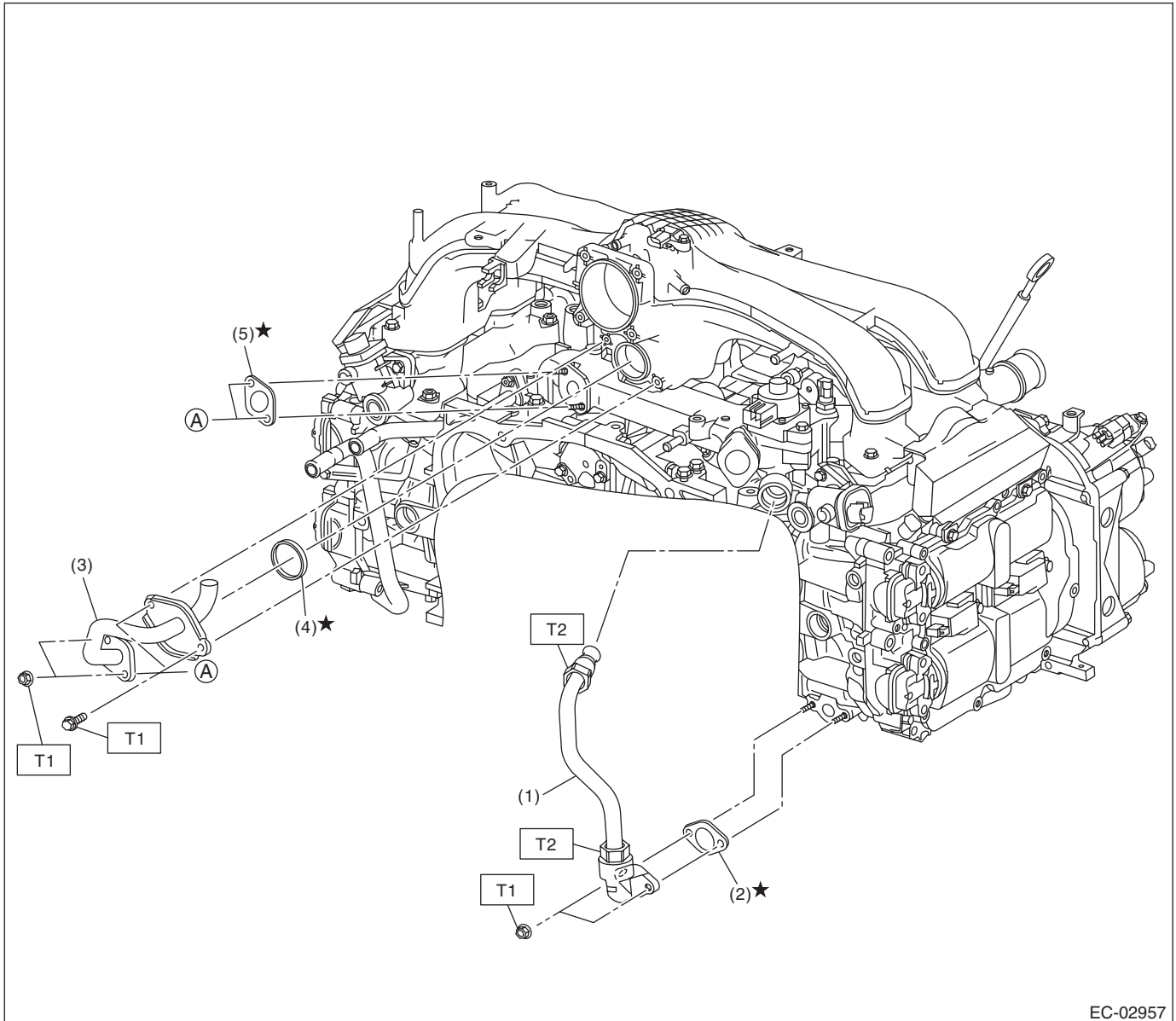
**T2: 18 (1.8, 13.3)**

**T3: 22 (2.2, 16.2)**

# General Description

EMISSION CONTROL (AUX. EMISSION CONTROL DEVICES)

## 3. EGR SYSTEM 2



EC-02957

- |                   |            |
|-------------------|------------|
| (1) EGR pipe ASSY | (4) Gasket |
| (2) Gasket        | (5) Gasket |
| (3) EGR pipe      |            |

---

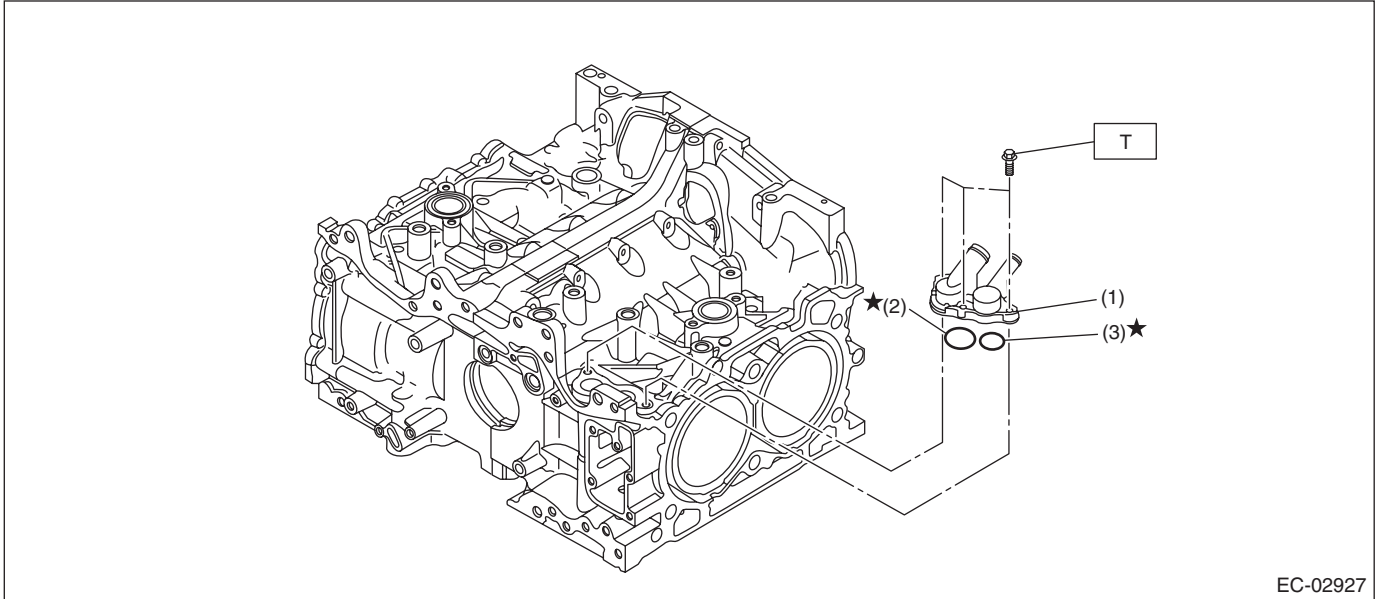
**Tightening torque: N·m (kgf-m, ft-lb)**  
**T1:** <Ref. to EC(H4DO)-31, INSTALLATION, EGR Pipe.>  
**T2:** <Ref. to EC(H4DO)-31, INSTALLATION, EGR Pipe.>

---

# General Description

EMISSION CONTROL (AUX. EMISSION CONTROL DEVICES)

## 4. PCV SYSTEM 1



- (1) PCV connector
- (2) O-ring

- (3) O-ring

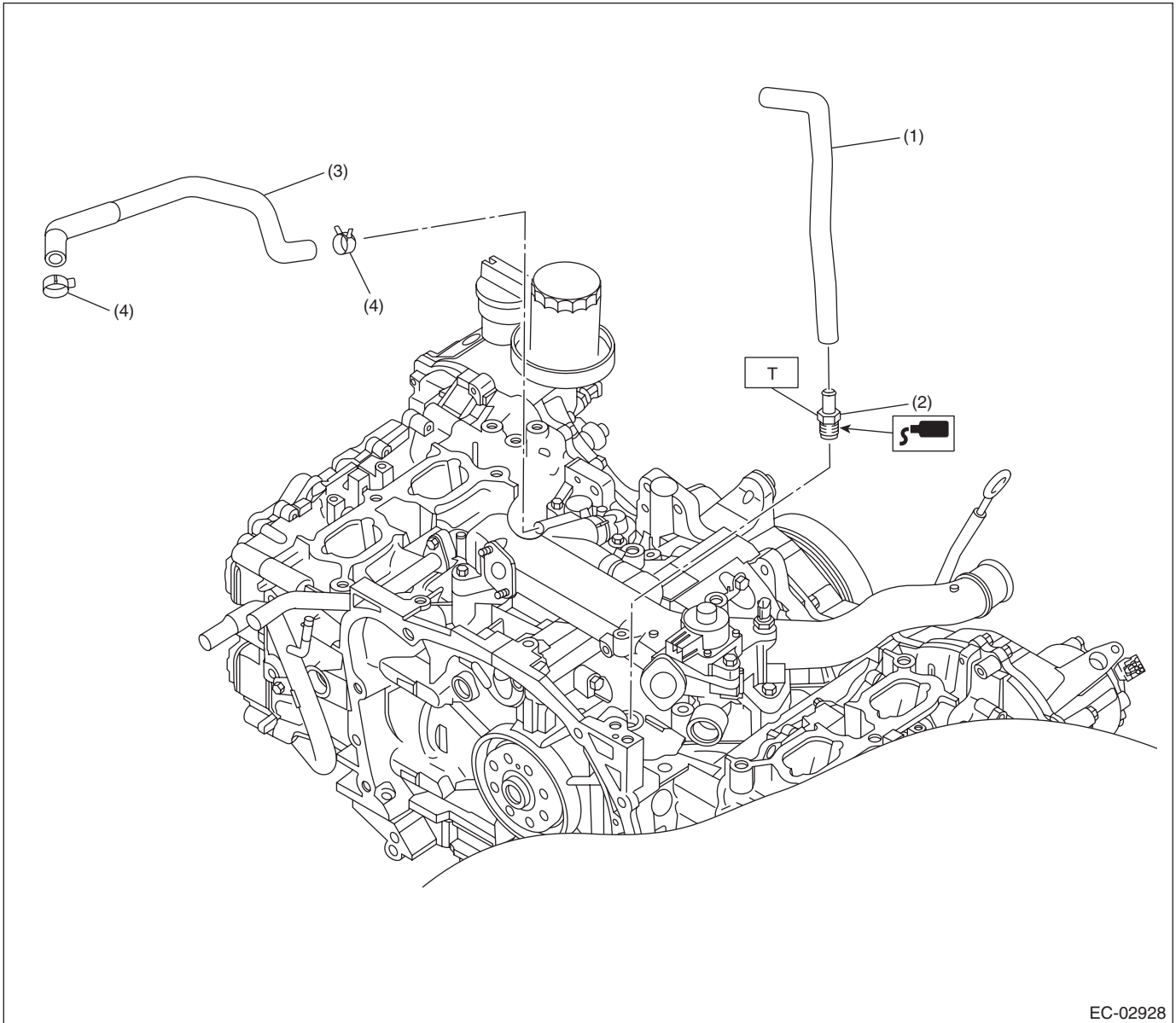
**Tightening torque: N·m (kgf-m, ft-lb)**

**T: 6.4 (0.7, 4.7)**

# General Description

EMISSION CONTROL (AUX. EMISSION CONTROL DEVICES)

## 5. PCV SYSTEM 2



EC-02928

- (1) PCV hose A
- (2) PCV valve

- (3) PCV hose B
- (4) Clip

**Tightening torque: N·m (kgf-m, ft-lb)**  
**T: 23 (2.3, 17.0)**

## General Description

EMISSION CONTROL (AUX. EMISSION CONTROL DEVICES)

---

### B: CAUTION

- Prior to starting work, pay special attention to the following:
  1. Always wear work clothes, a work cap, and protective shoes. Additionally, wear a helmet, protective goggles, etc. if necessary.
  2. Protect the vehicle using a seat cover, fender cover, etc.
  3. Prepare the service tools, clean cloth, containers to catch grease and oil, etc.
- Vehicle components are extremely hot immediately after driving. Be wary of receiving burns from heated parts.
- When performing a repair, identify the cause of trouble and avoid unnecessary removal, disassembly and replacement.
- Before disconnecting connectors of sensors or units, be sure to disconnect the ground cable from battery.
- Always use the jack-up point when the shop jacks or rigid racks are used to support the vehicle.
- Remove contamination including dirt and corrosion before removal, installation, disassembly or assembly.
- Keep the removed parts in order and protect them from dust and dirt.
- All removed parts, if to be reused, should be reinstalled in the original positions with attention to the correct directions, etc.
- Bolts, nuts and washers should be replaced with new parts as required.
- Be sure to tighten the fasteners including bolts and nuts to the specified torque.

### C: PREPARATION TOOL

#### 1. GENERAL TOOL

TOOL NAME	REMARKS
Circuit tester	Used for measuring resistance and voltage.