

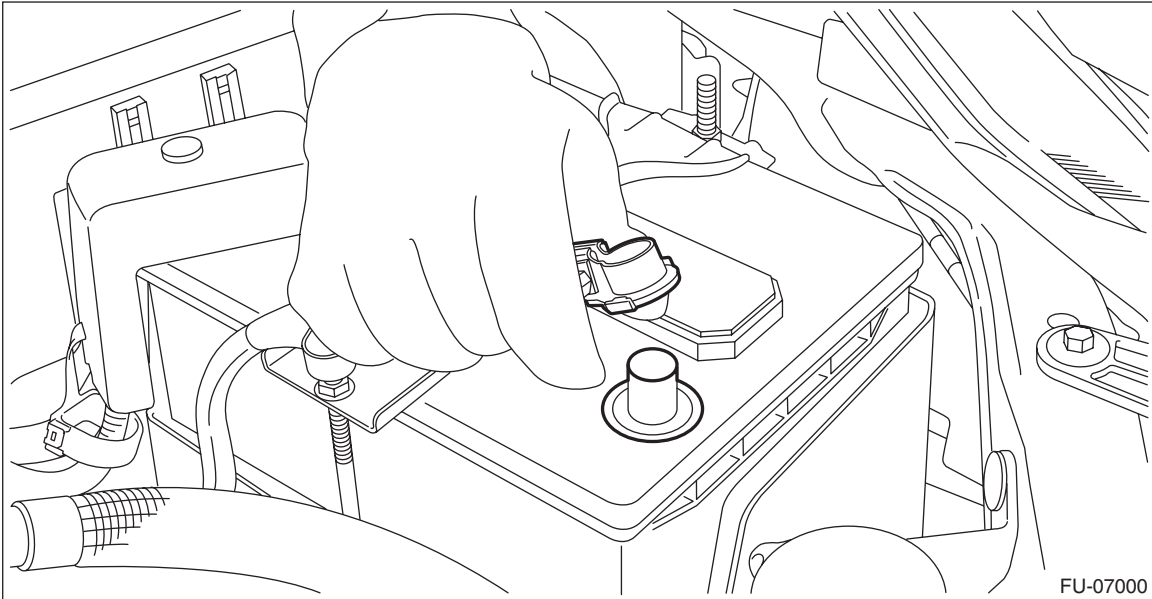
Purge Control Solenoid Valve

EMISSION CONTROL (AUX. EMISSION CONTROL DEVICES)

5. Purge Control Solenoid Valve

A: REMOVAL

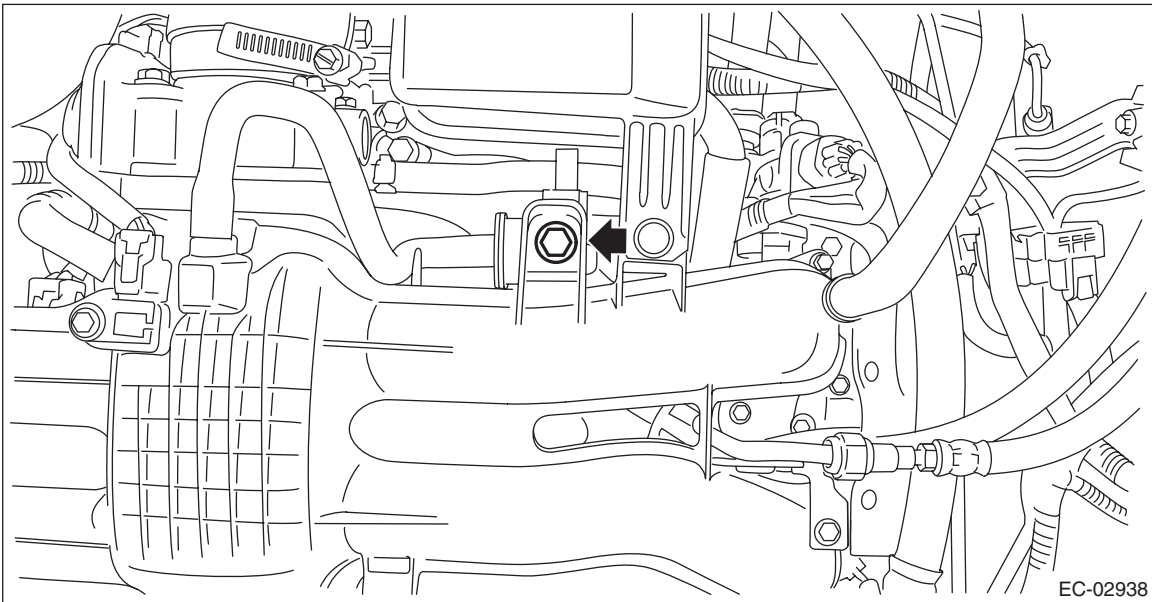
- 1) Disconnect the ground cable from battery.



- 2) Remove the bolt which holds the purge control solenoid valve onto intake manifold.

NOTE:

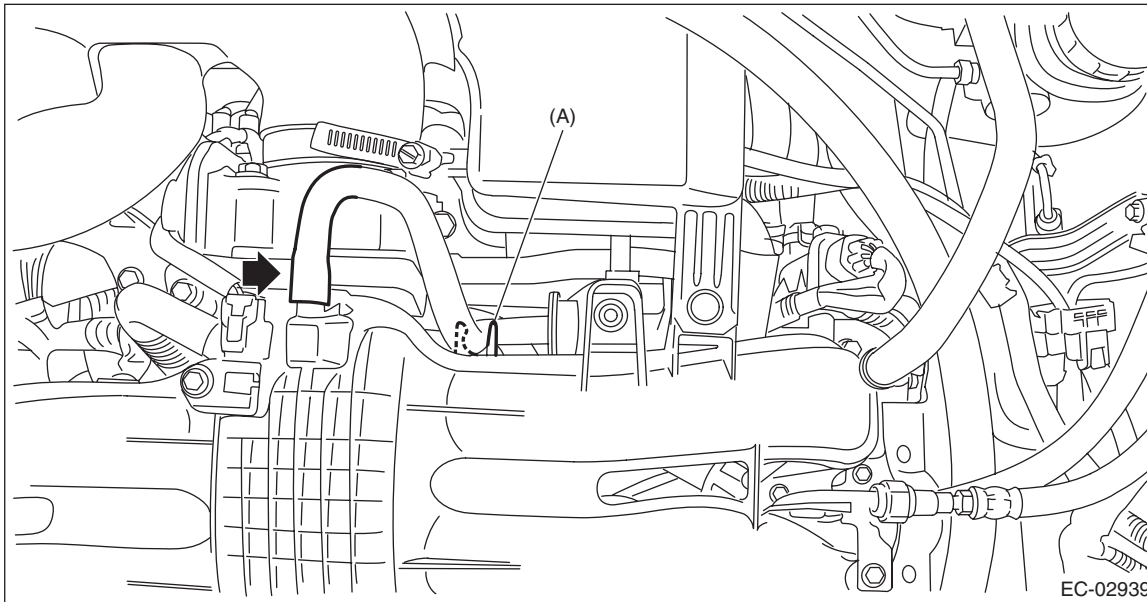
Hold the purge control solenoid valve unit by hand to prevent it from rotating together.



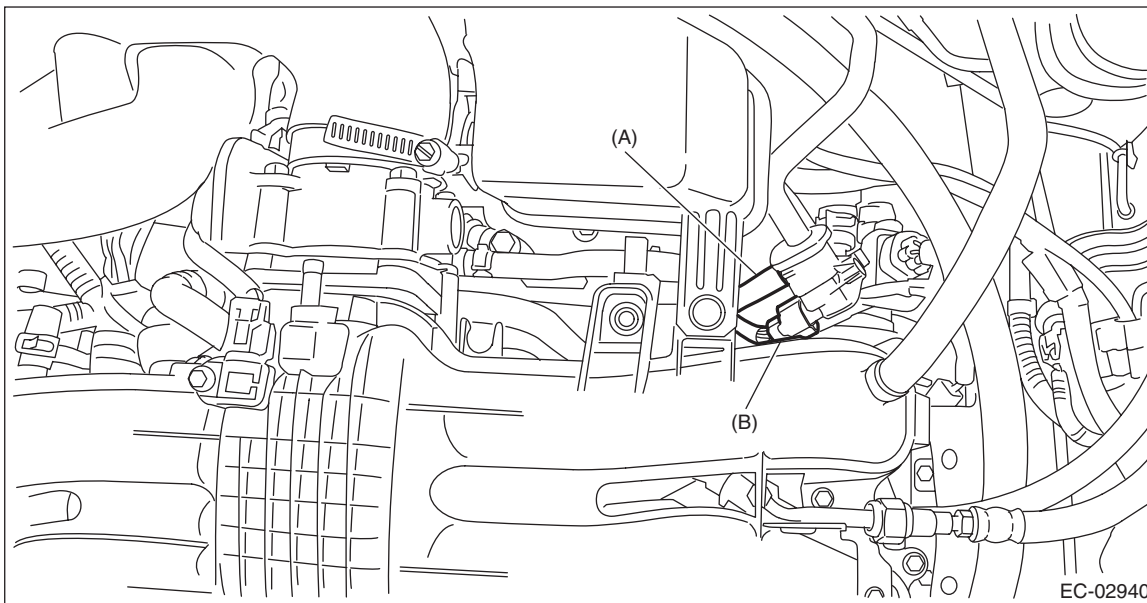
Purge Control Solenoid Valve

EMISSION CONTROL (AUX. EMISSION CONTROL DEVICES)

3) Disconnect the vacuum hose from the intake manifold and intake manifold clip (A).



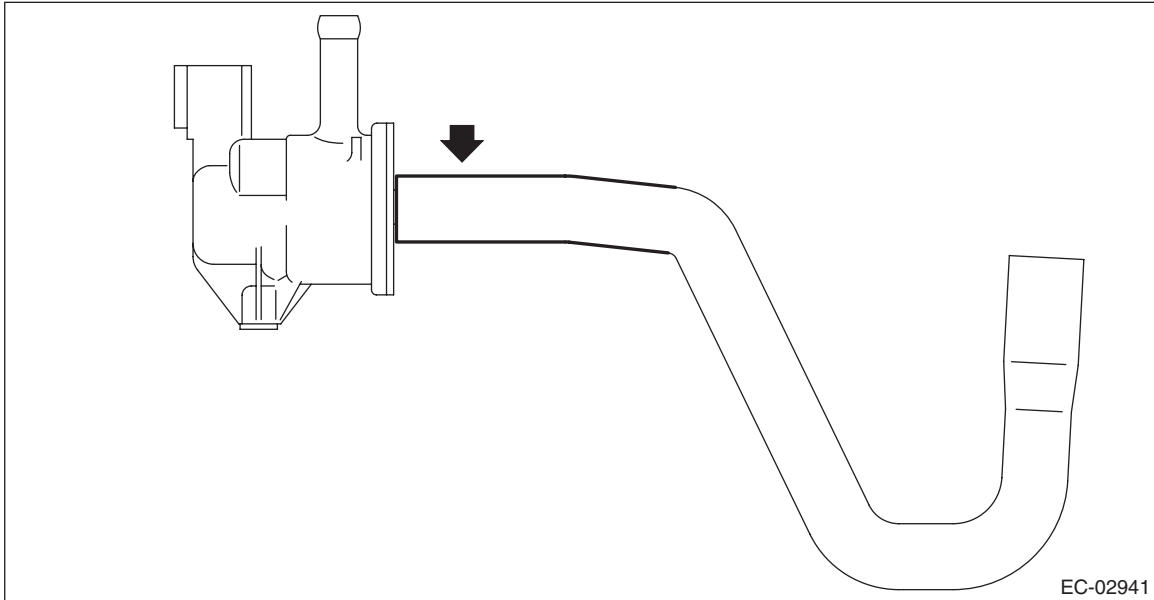
4) Disconnect the vacuum hose (A) and connector (B) from the purge control solenoid valve, and remove the purge control solenoid valve.



Purge Control Solenoid Valve

EMISSION CONTROL (AUX. EMISSION CONTROL DEVICES)

5) Remove the vacuum hose from the purge control solenoid valve.



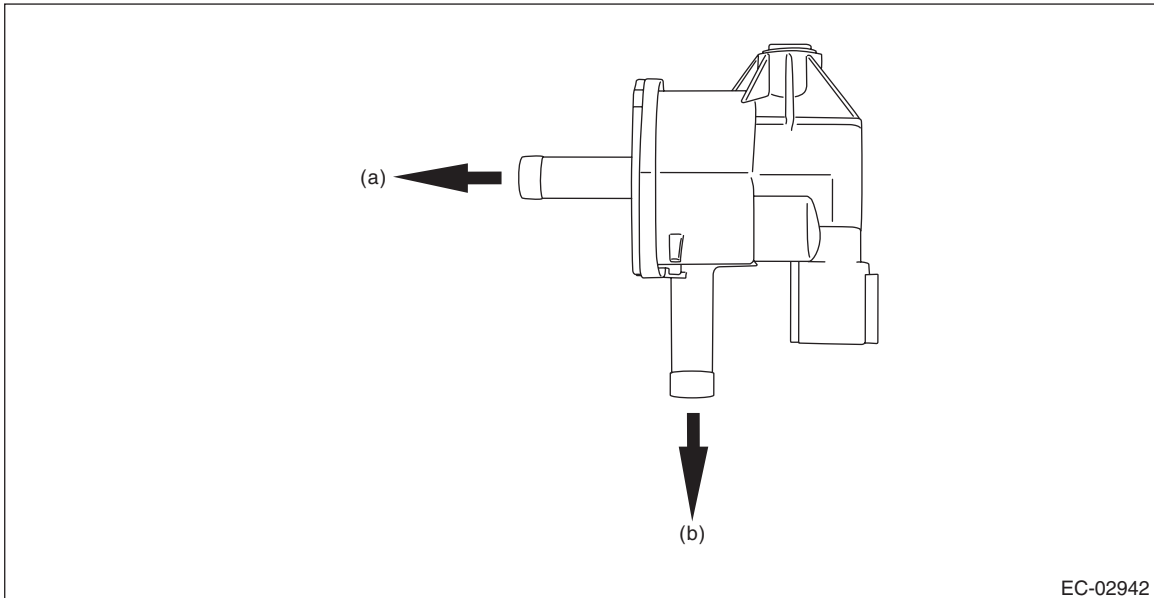
EC-02941

B: INSTALLATION

Install in the reverse order of removal.

NOTE:

- Hold the purge control solenoid valve unit by hand to prevent it from rotating together.
- Connect the vacuum hose as shown in the figure.



EC-02942

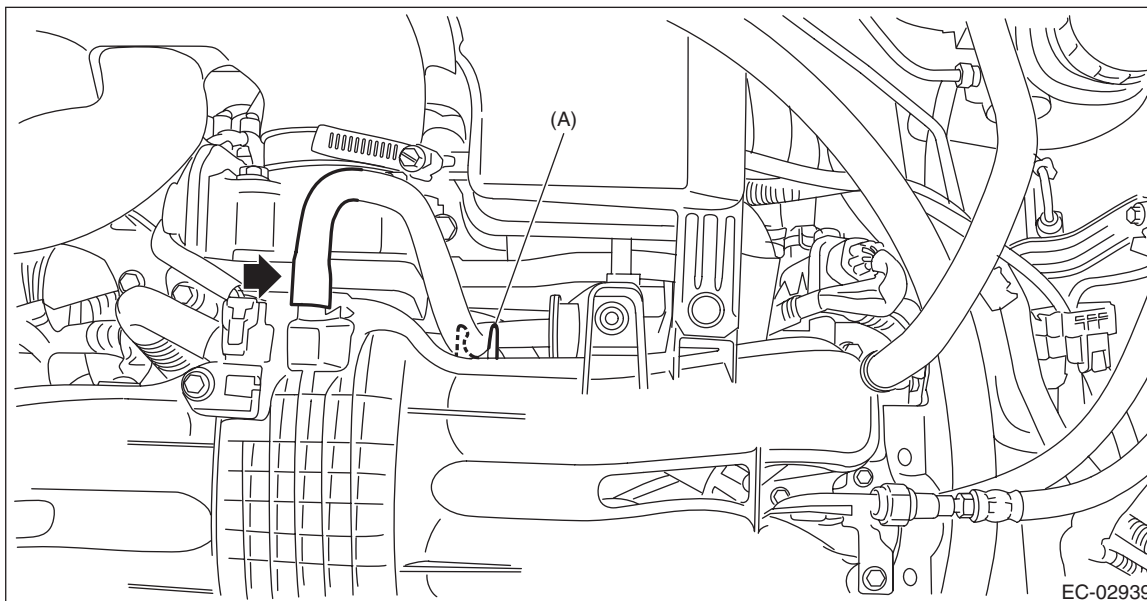
(a) To intake manifold

(b) To fuel pipe

Purge Control Solenoid Valve

EMISSION CONTROL (AUX. EMISSION CONTROL DEVICES)

- Check that the vacuum hose is securely held to the intake manifold and intake manifold clip (A).



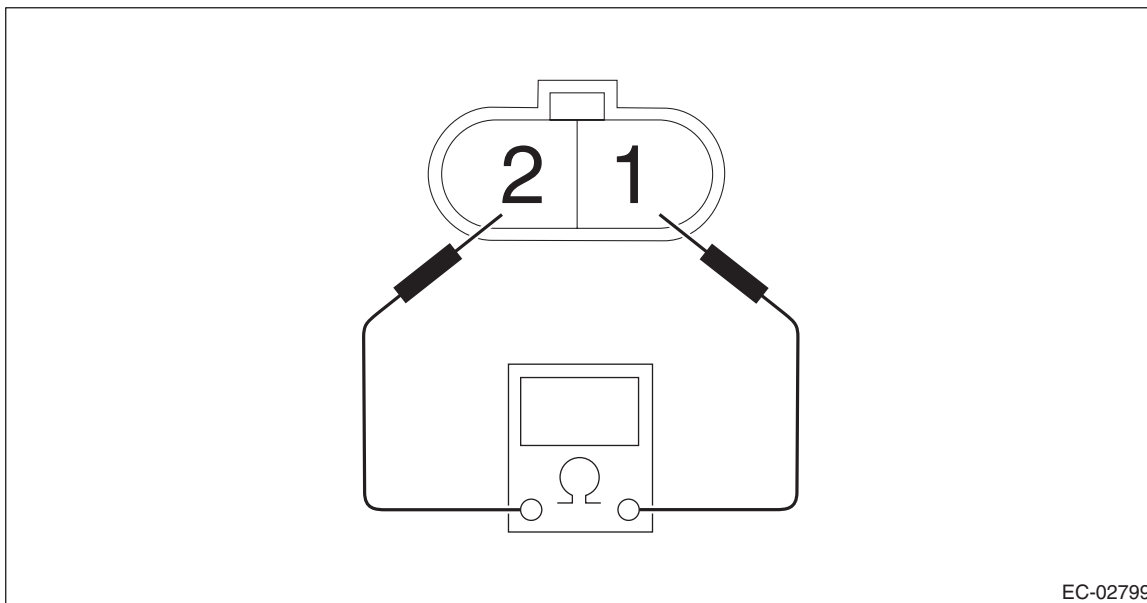
Tightening torque:

3.4 N·m (0.3 kgf·m, 2.5 ft·lb)

C: INSPECTION

1. PURGE CONTROL SOLENOID VALVE

- 1) Check that the purge control solenoid valve has no deformation, cracks or other damages.
- 2) Measure the resistance between the purge control solenoid valve terminals.

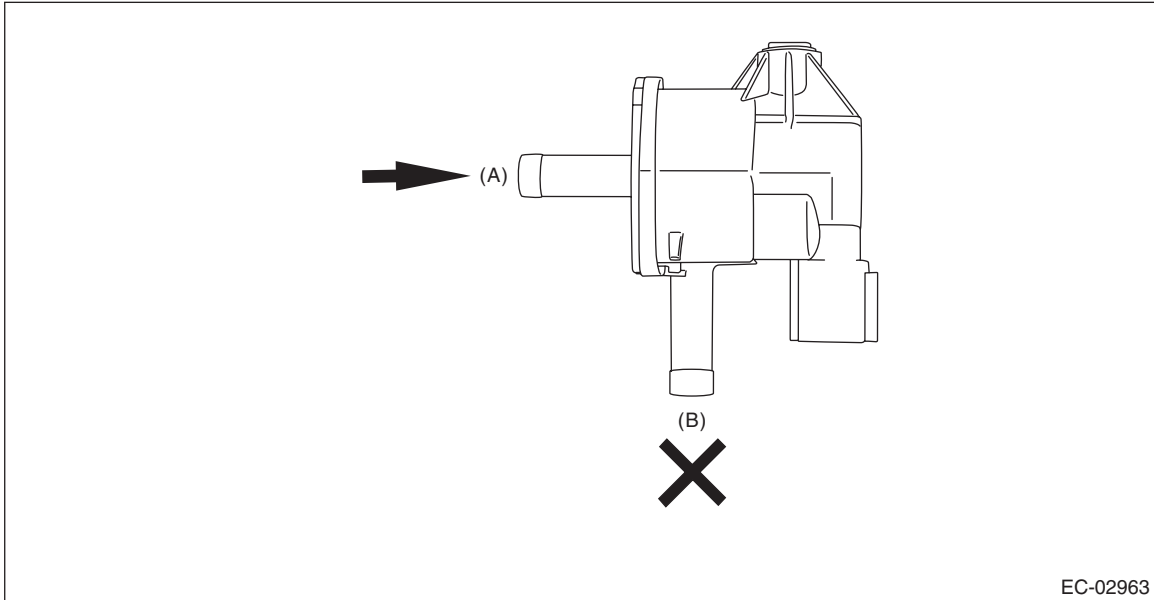


Terminal No.	Standard
1 and 2	24.5±1.5 Ω (20°C (68°F))

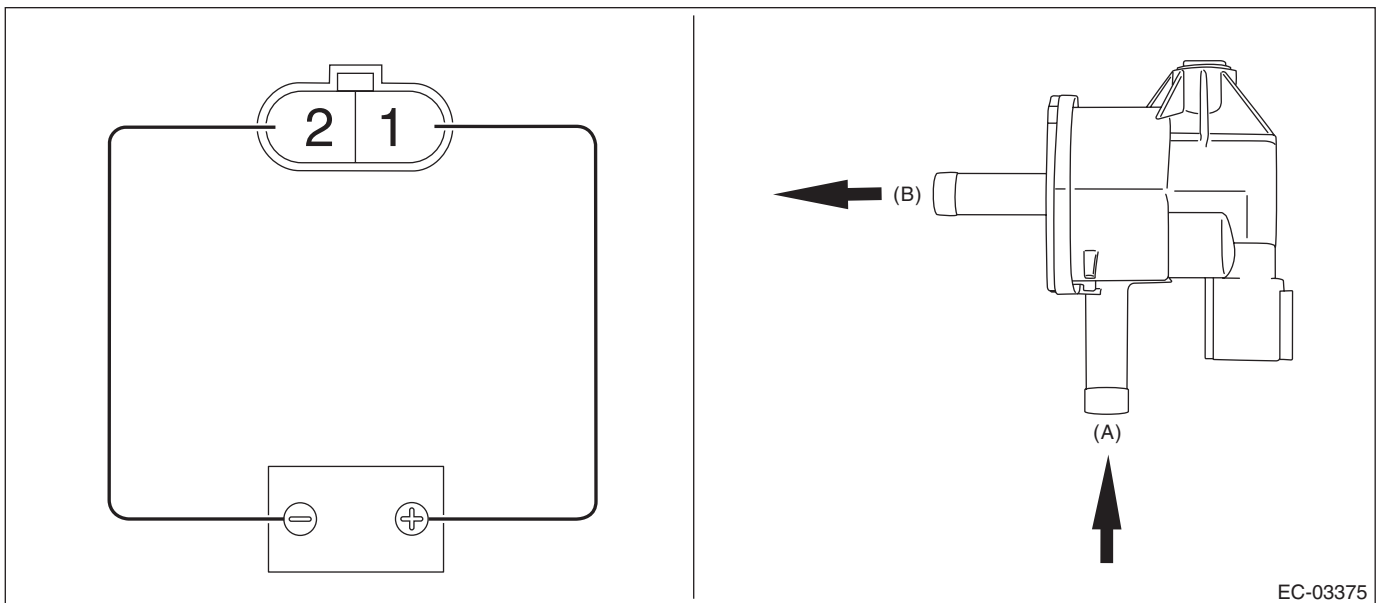
Purge Control Solenoid Valve

EMISSION CONTROL (AUX. EMISSION CONTROL DEVICES)

3) Check that air does not come out from (B) when air is blown into (A).



4) Connect the battery positive terminal to the terminal No. 1 and the battery negative terminal to the terminal No. 2. Check that air is discharged from (B), when supplying air to (A).



2. OTHER INSPECTIONS

Check the vacuum hose for cracks, damage or looseness.