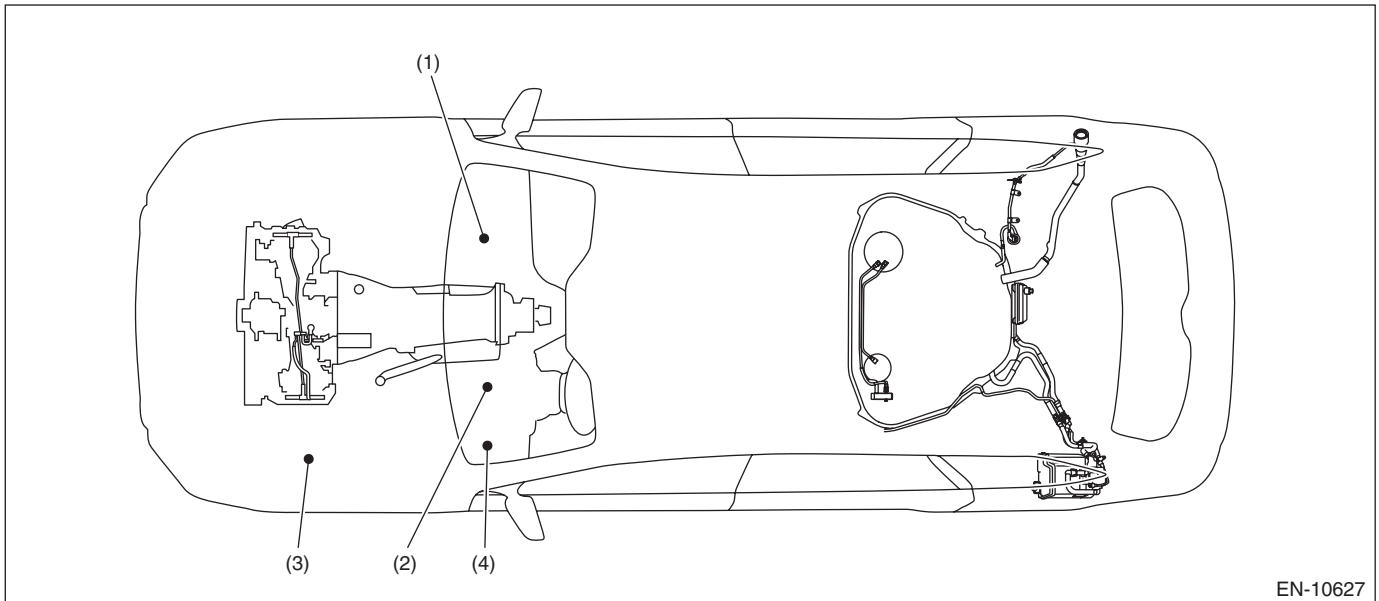


4. Electrical Component Location

A: LOCATION

1. CONTROL MODULE



(1) Engine control module (ECM)

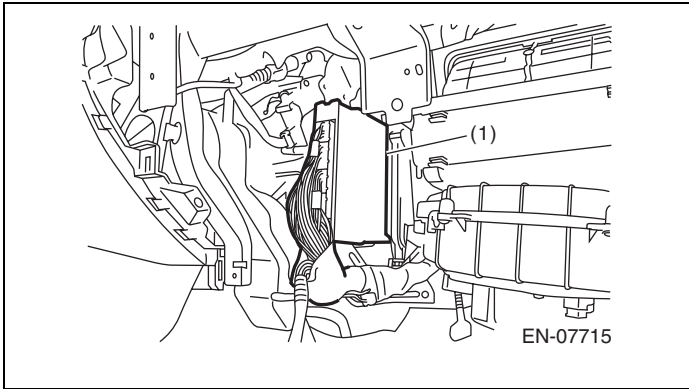
(3) Delivery (test) mode fuse

(4) Data link connector

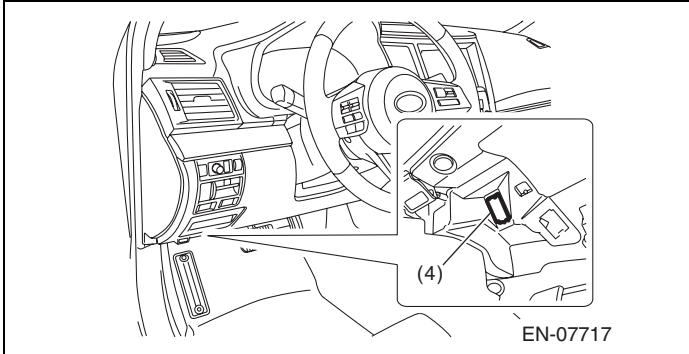
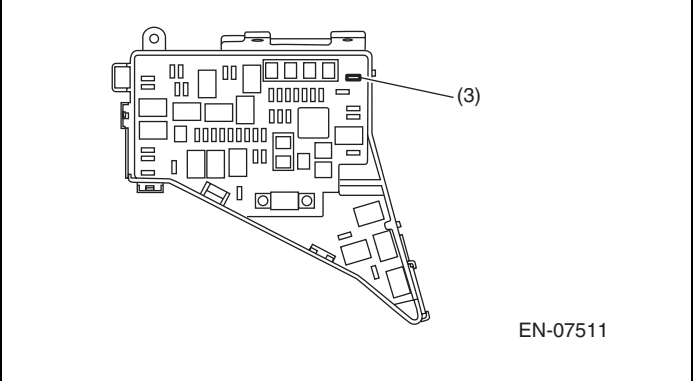
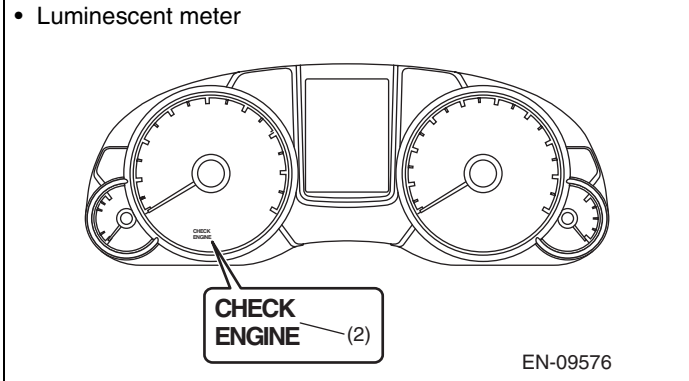
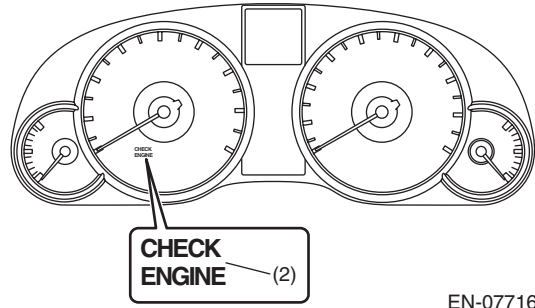
(2) Malfunction indicator light

Electrical Component Location

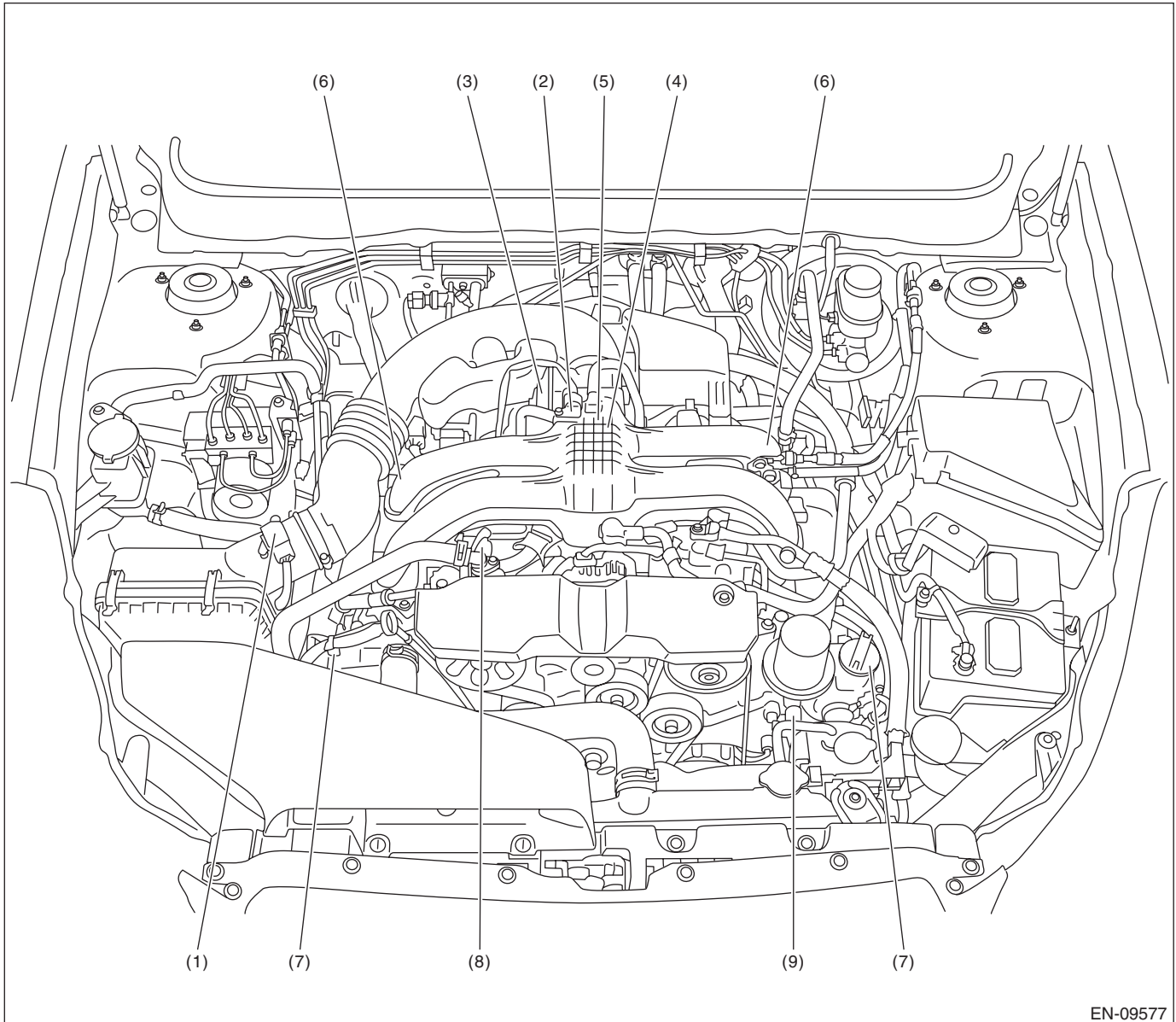
ENGINE (DIAGNOSTICS)



• Normal meter



2. SENSOR

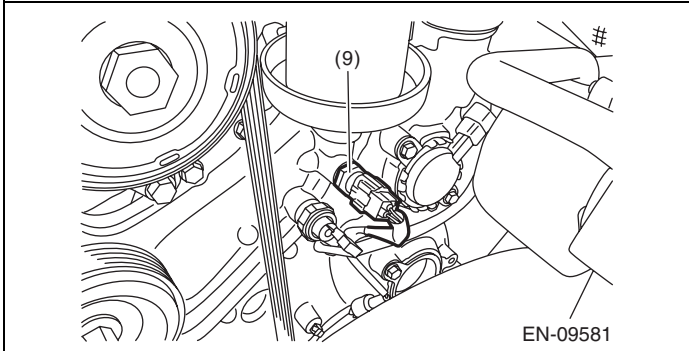
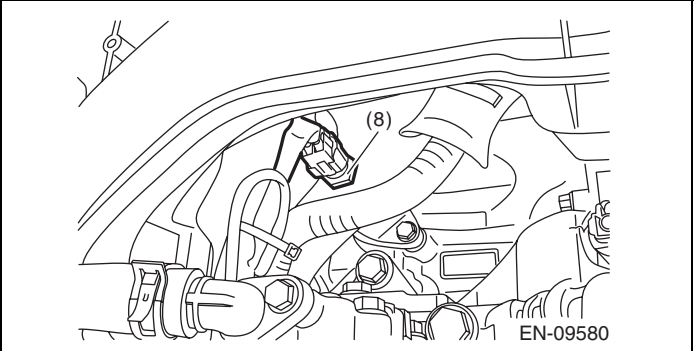
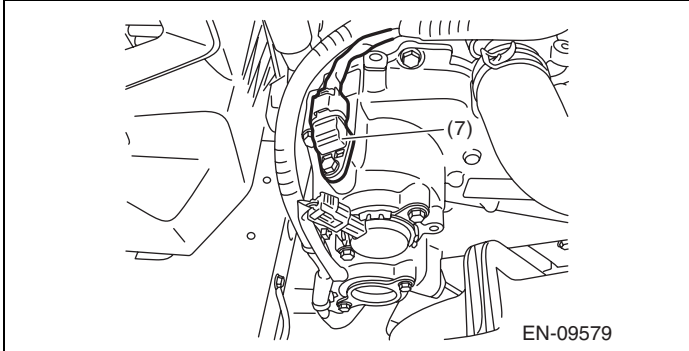
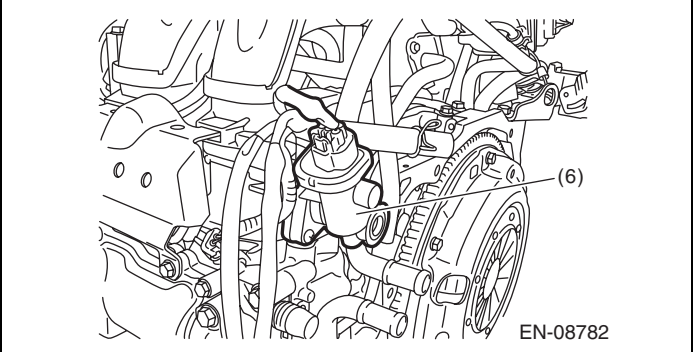
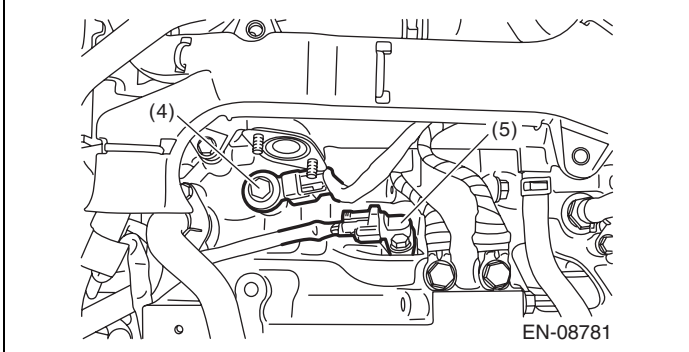
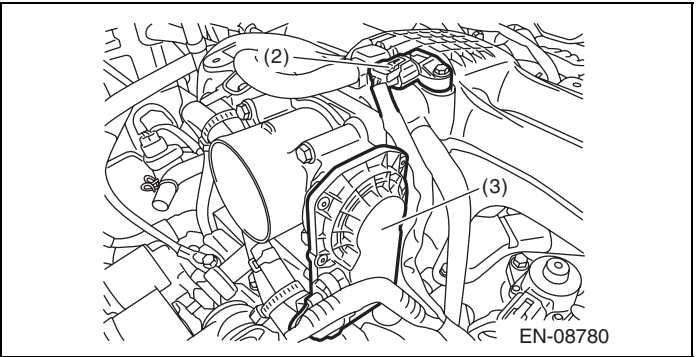
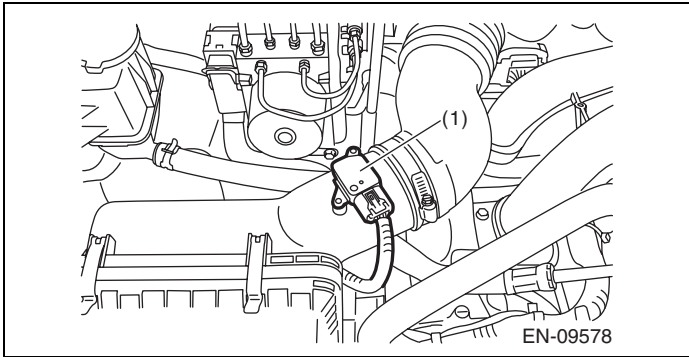


EN-09577

- | | | |
|---|---|---------------------------------------|
| (1) Mass air flow and intake air temperature sensor | (4) Knock sensor | (7) Intake camshaft position sensor |
| (2) Manifold absolute pressure sensor | (5) Crankshaft position sensor | (8) Engine coolant temperature sensor |
| (3) Electronic throttle control | (6) Tumble generator valve actuators (with built-in opening angle switch) | (9) Engine oil temperature sensor |

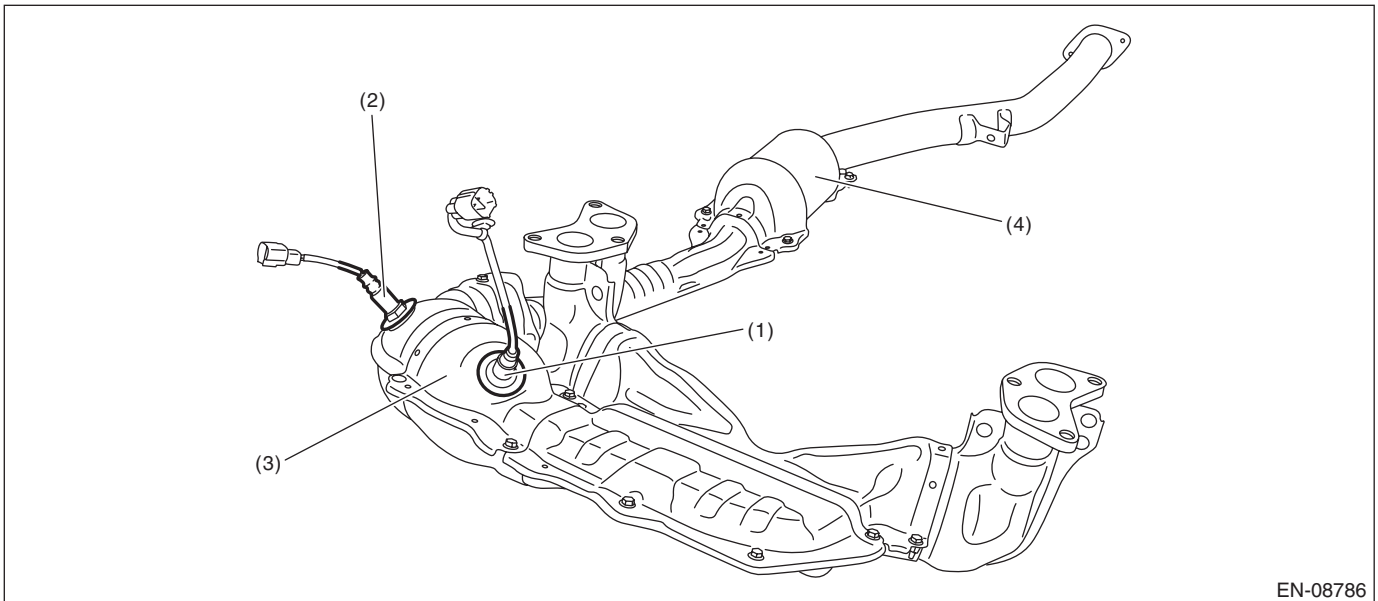
Electrical Component Location

ENGINE (DIAGNOSTICS)



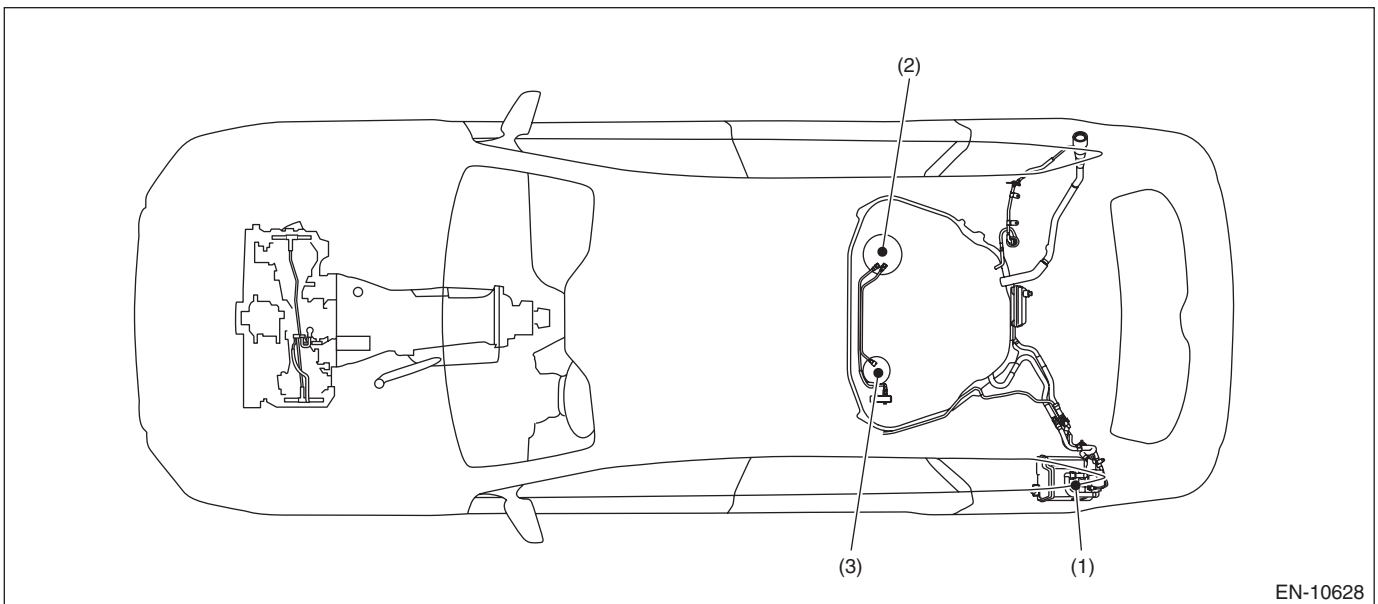
Electrical Component Location

ENGINE (DIAGNOSTICS)



EN-08786

- (1) Front oxygen (A/F) sensor
- (2) Rear oxygen sensor
- (3) Front catalytic converter
- (4) Rear catalytic converter

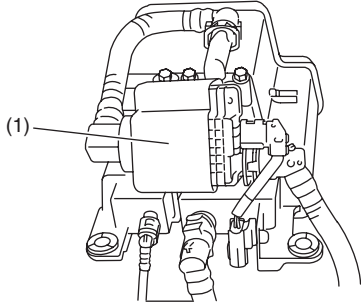
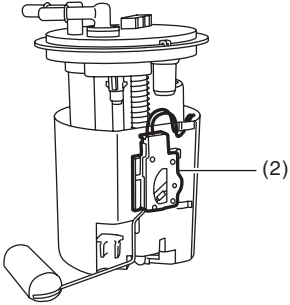
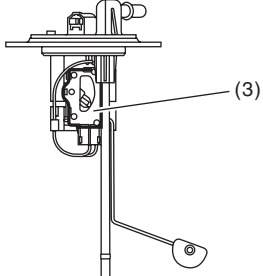


EN-10628

- (1) Leak check valve ASSY (with built-in pressure sensor)
- (2) Fuel level sensor
- (3) Fuel sub level sensor

Electrical Component Location

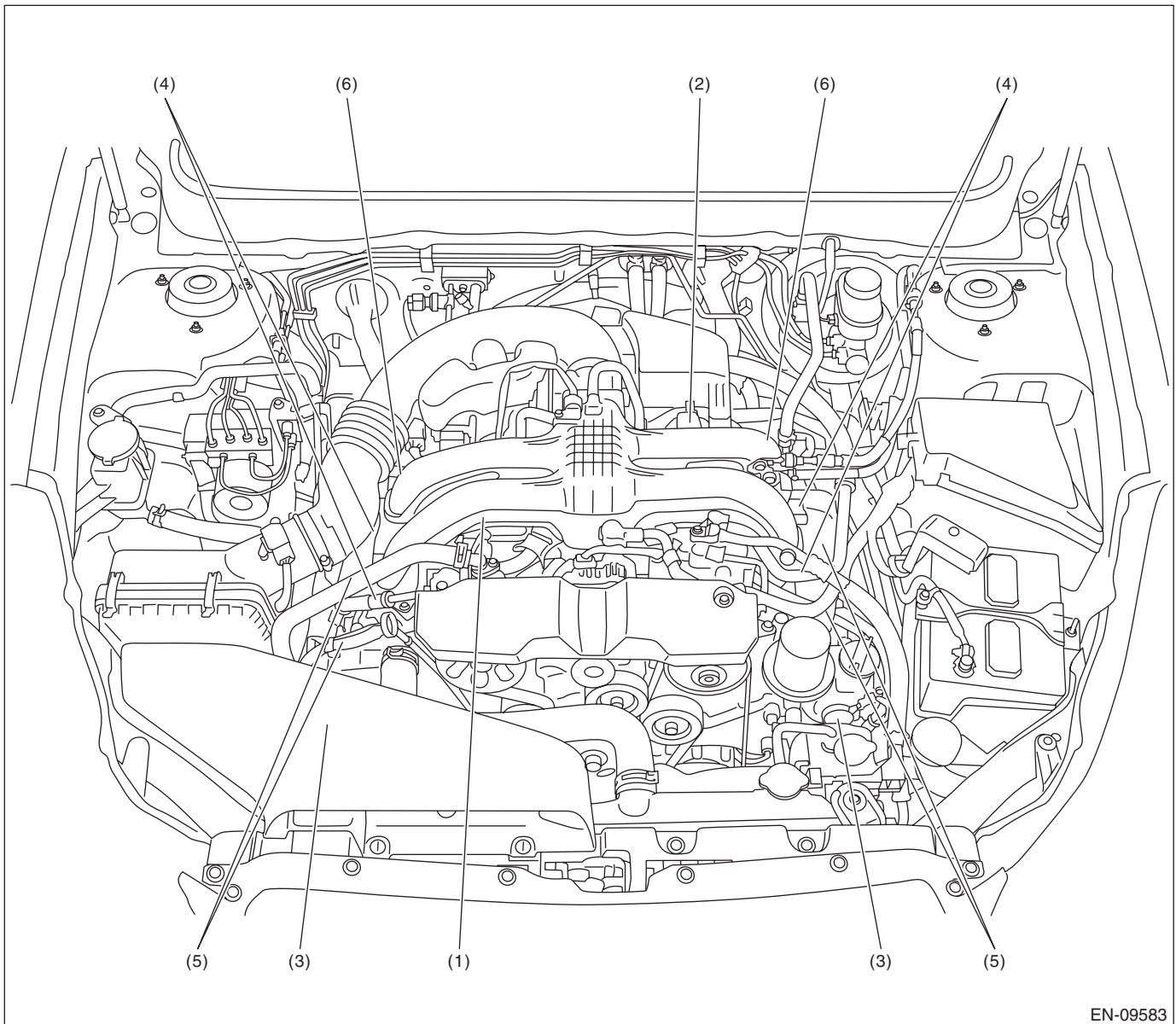
ENGINE (DIAGNOSTICS)

 <p>(1)</p> <p>EN-09844</p>	 <p>(2)</p> <p>EN-10629</p>
 <p>(3)</p> <p>EN-08790</p>	<p>SUBARU.</p>

Electrical Component Location

ENGINE (DIAGNOSTICS)

3. SOLENOID VALVE, ACTUATOR, EMISSION CONTROL SYSTEM PARTS AND IGNITION SYSTEM PARTS

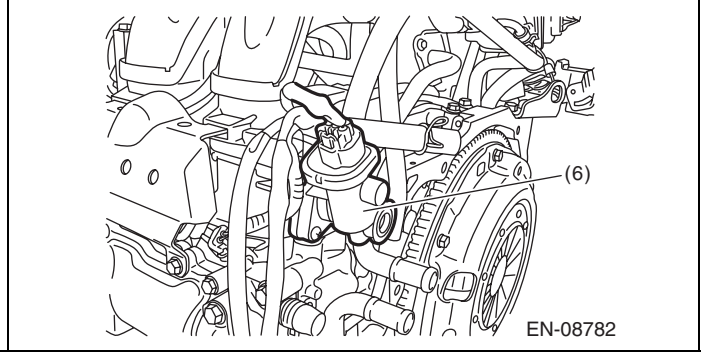
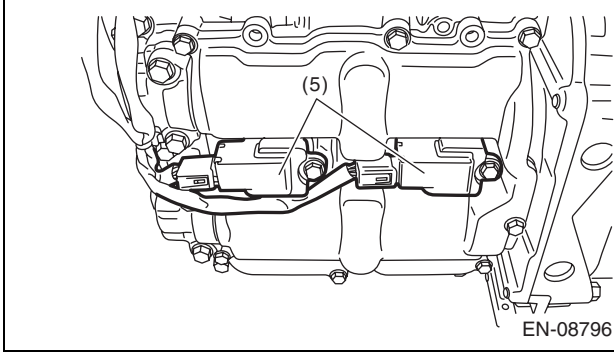
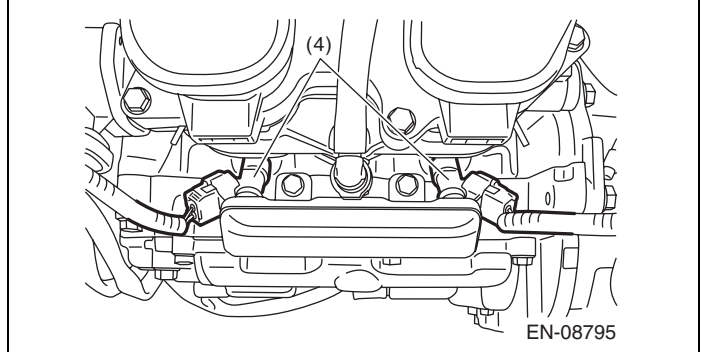
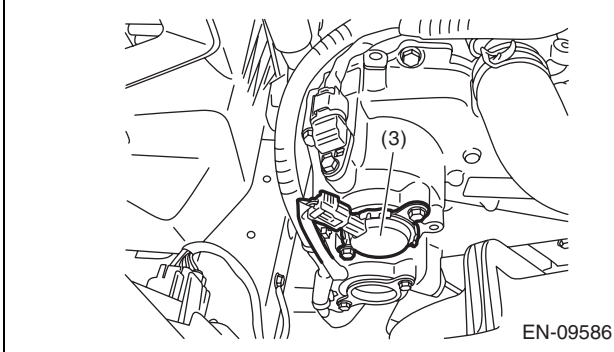
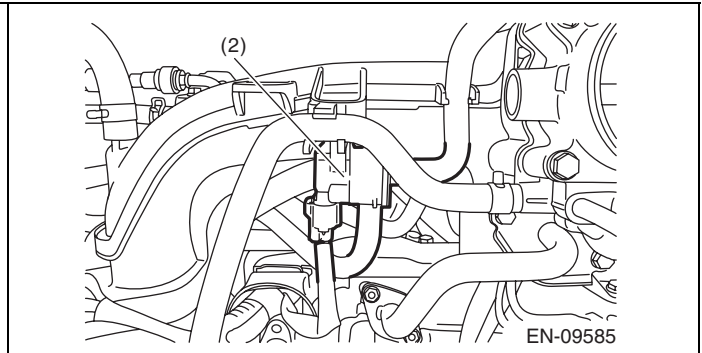
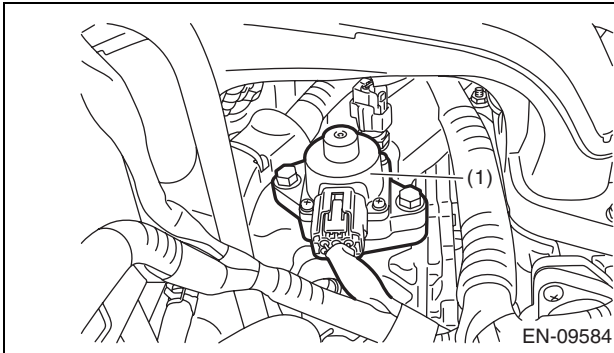


EN-09583

- | | | |
|----------------------------------|---------------------------------|-------------------------------------|
| (1) EGR control valve | (3) Intake oil control solenoid | (5) Ignition coil |
| (2) Purge control solenoid valve | (4) Fuel injector | (6) Tumble generator valve actuator |

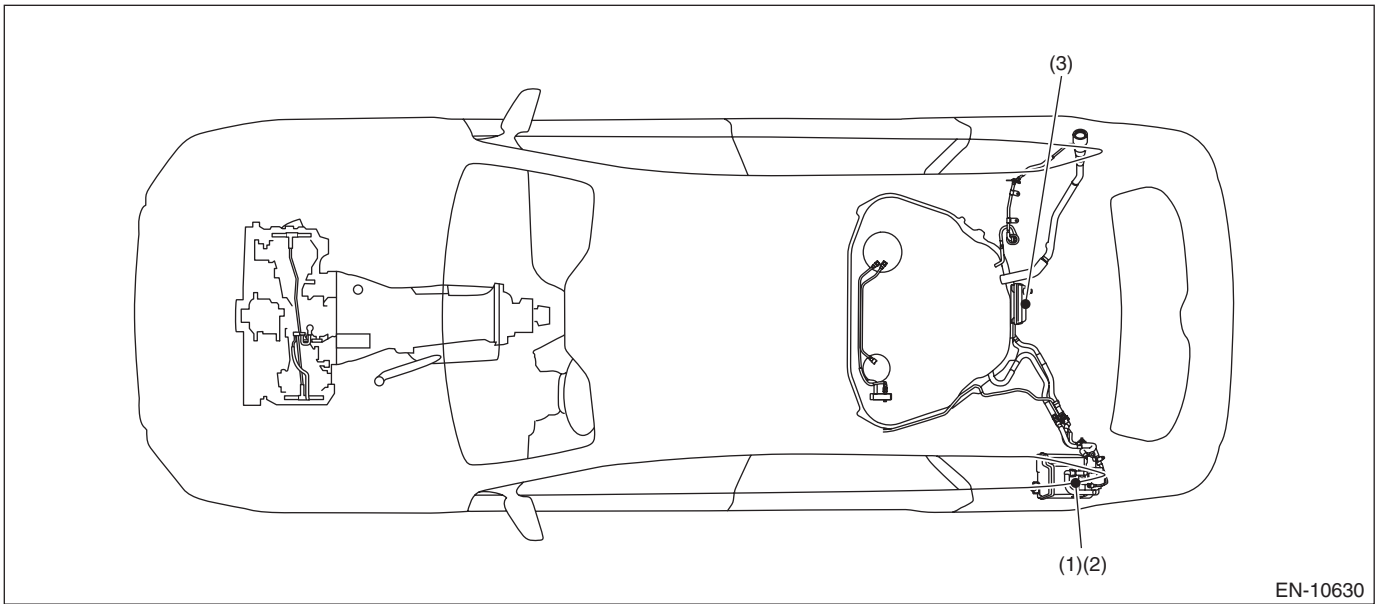
Electrical Component Location

ENGINE (DIAGNOSTICS)



Electrical Component Location

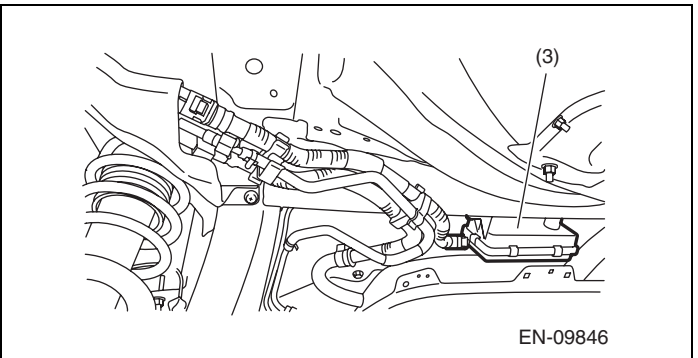
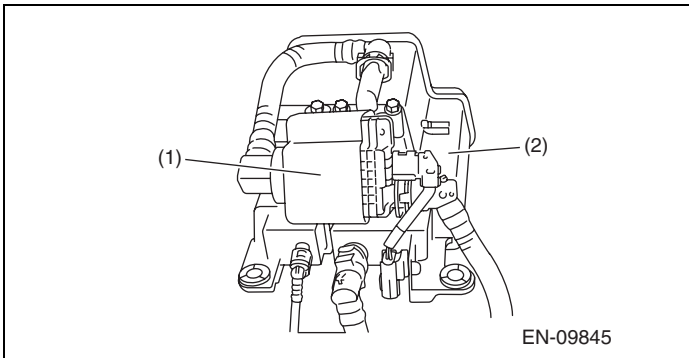
ENGINE (DIAGNOSTICS)



(1) Leak check valve ASSY

(2) Canister

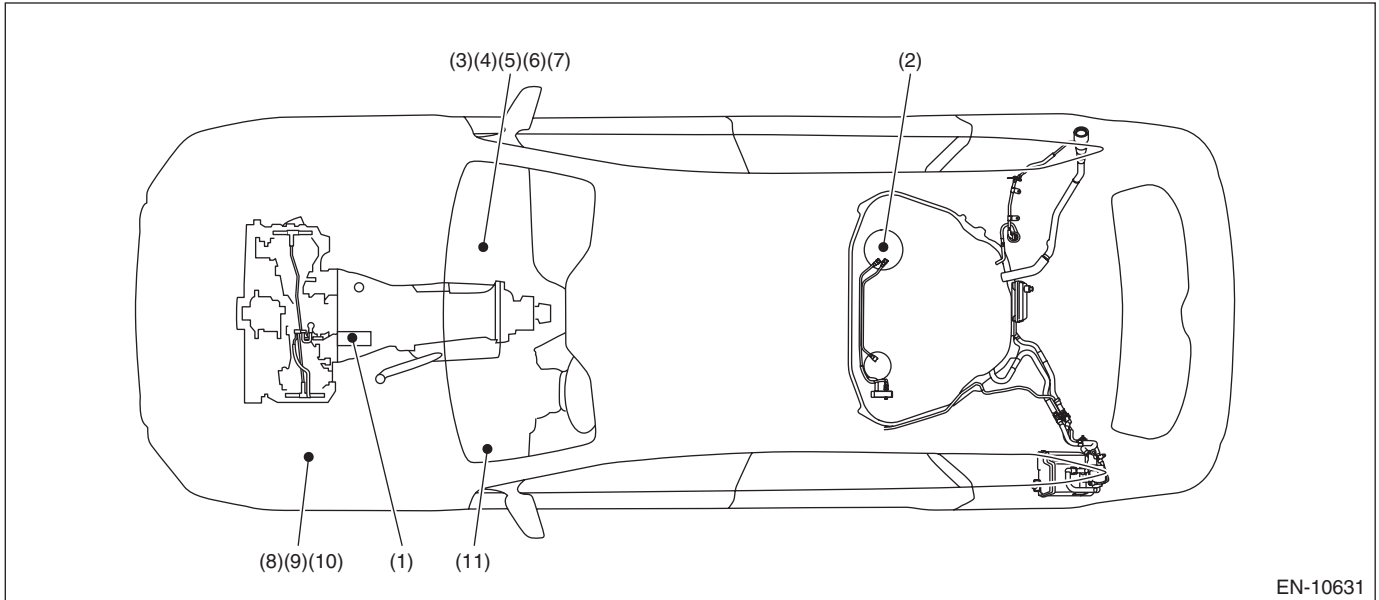
(3) Drain filter



Electrical Component Location

ENGINE (DIAGNOSTICS)

- Model without push button start

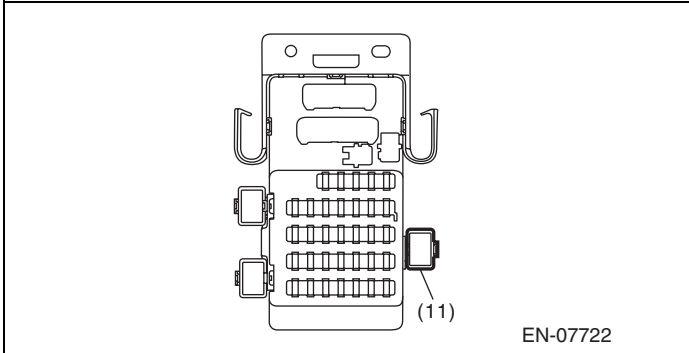
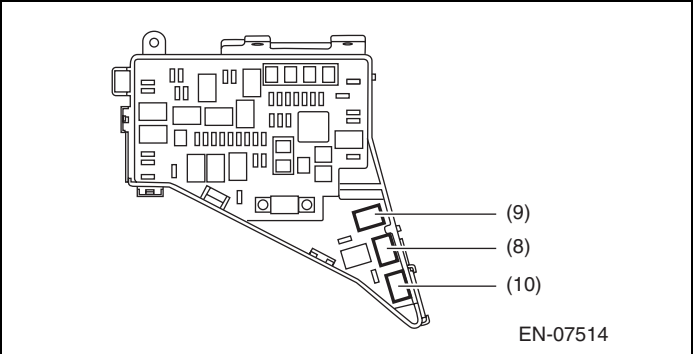
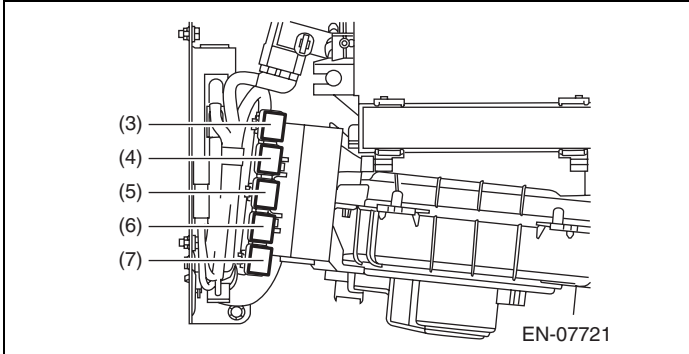
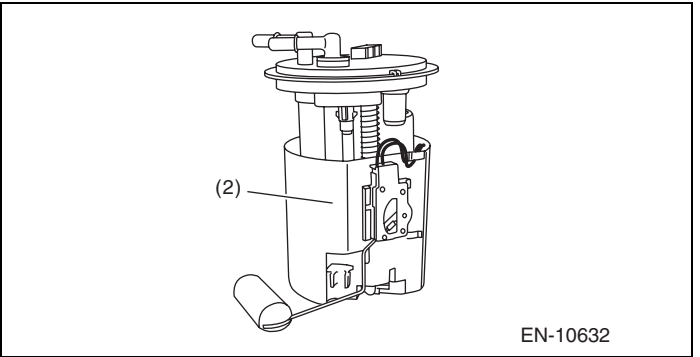
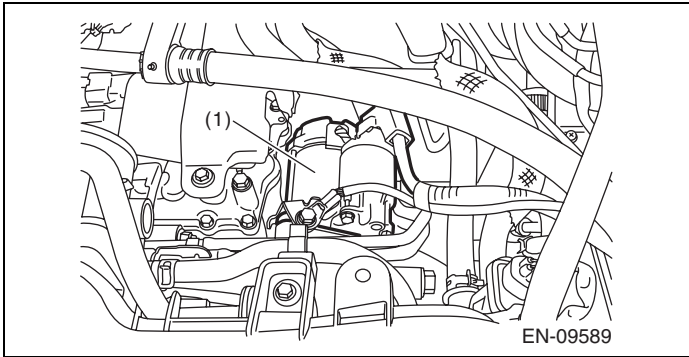


EN-10631

- | | | |
|----------------|---------------------------------------|-------------------------------|
| (1) Starter | (5) A/F, oxygen sensor relay | (9) Radiator main fan relay 2 |
| (2) Fuel pump | (6) Electronic throttle control relay | (10) Radiator sub fan relay |
| (3) Main relay | (7) Fuel pump relay | (11) Starter relay |
| (4) IG relay | (8) Radiator main fan relay 1 | |

Electrical Component Location

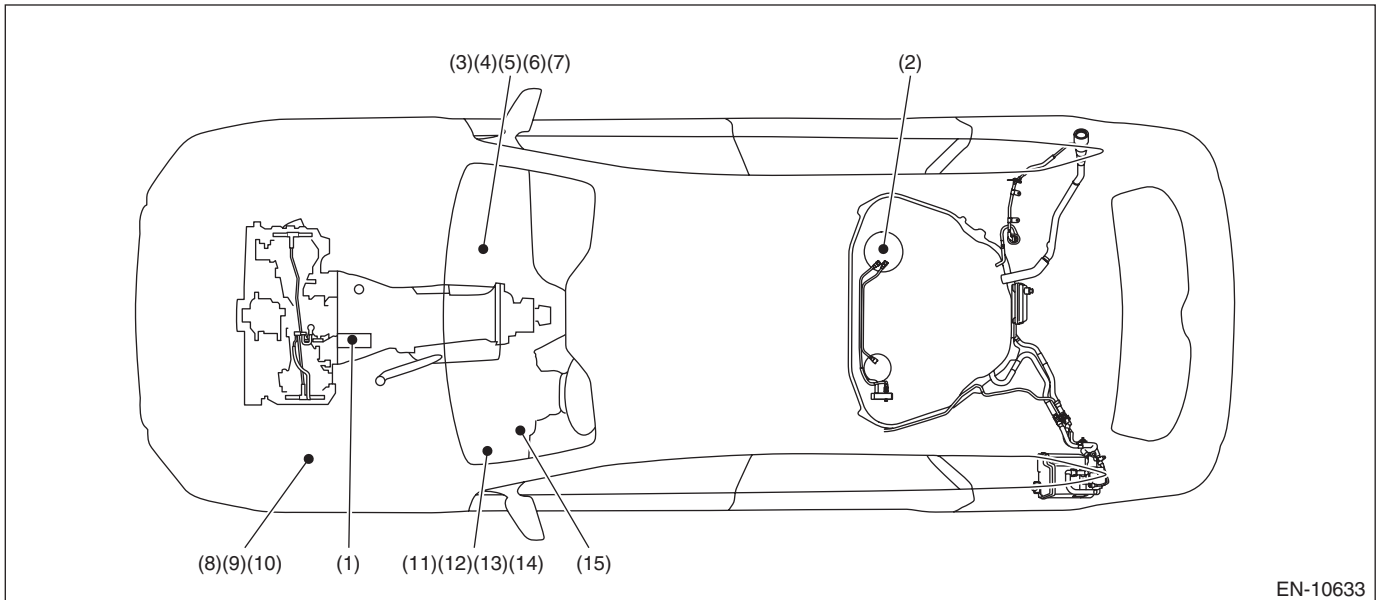
ENGINE (DIAGNOSTICS)



Electrical Component Location

ENGINE (DIAGNOSTICS)

- Model with push button start

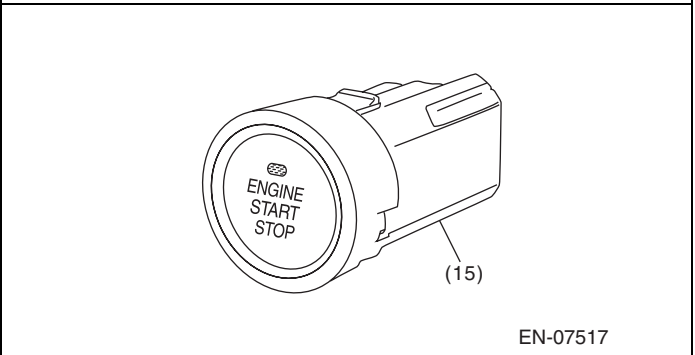
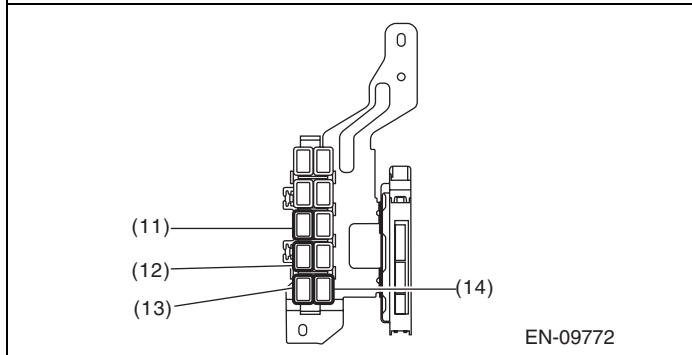
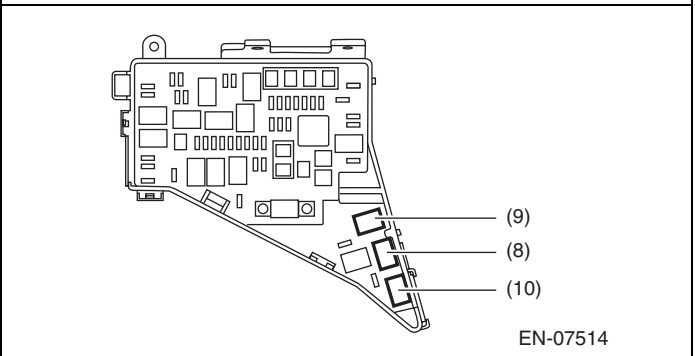
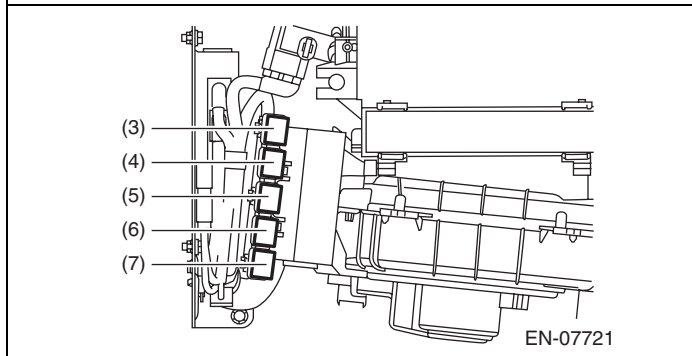
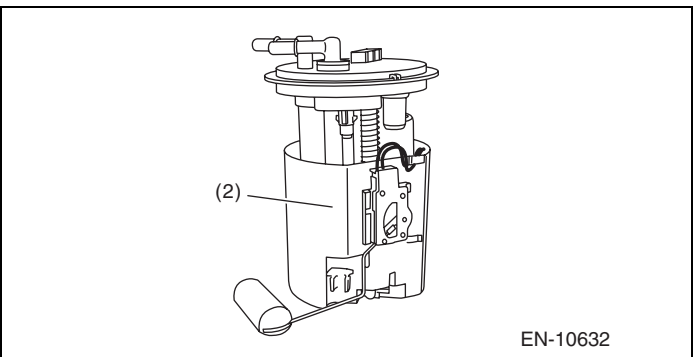
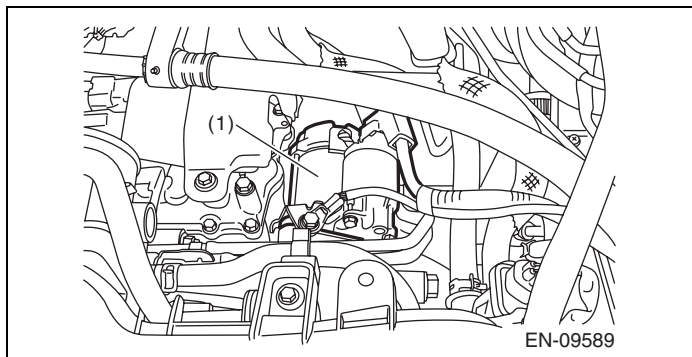


EN-10633

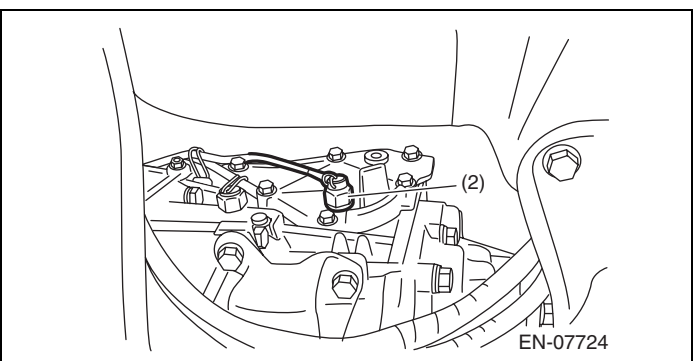
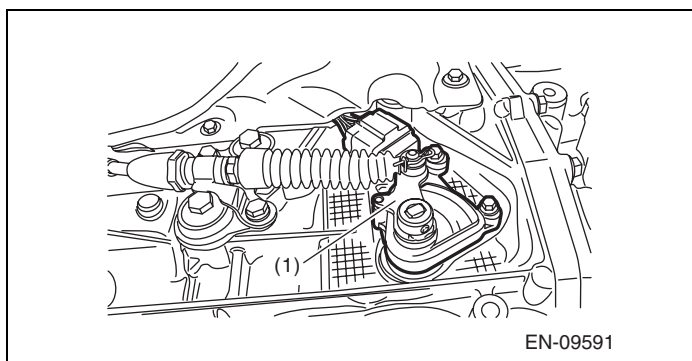
- | | | |
|------------------------------|---------------------------------------|--|
| (1) Starter | (6) Electronic throttle control relay | (11) IG relay 1 (push button start) |
| (2) Fuel pump | (7) Fuel pump relay | (12) Starter relay (push button start) |
| (3) Main relay | (8) Radiator main fan relay 1 | (13) Starter relay |
| (4) IG relay | (9) Radiator main fan relay 2 | (14) Starter cut relay |
| (5) A/F, oxygen sensor relay | (10) Radiator sub fan relay | (15) Push button ignition switch |

Electrical Component Location

ENGINE (DIAGNOSTICS)



4. TRANSMISSION



(1) Inhibitor switch (CVT model)

(2) Neutral position switch (MT model)