

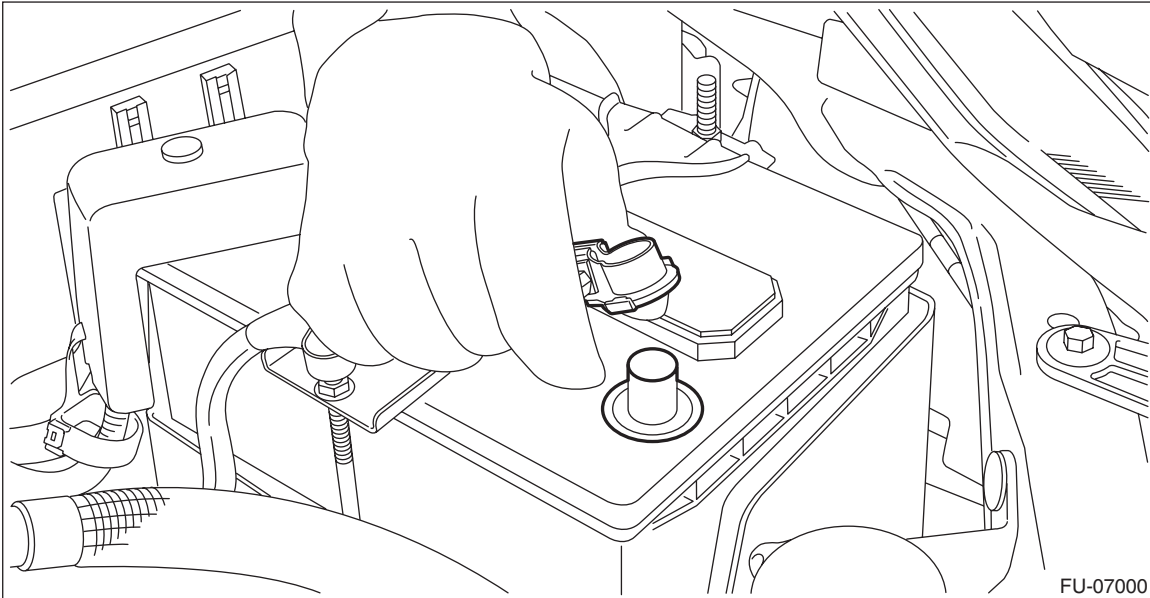
2. Front Exhaust Pipe

A: REMOVAL

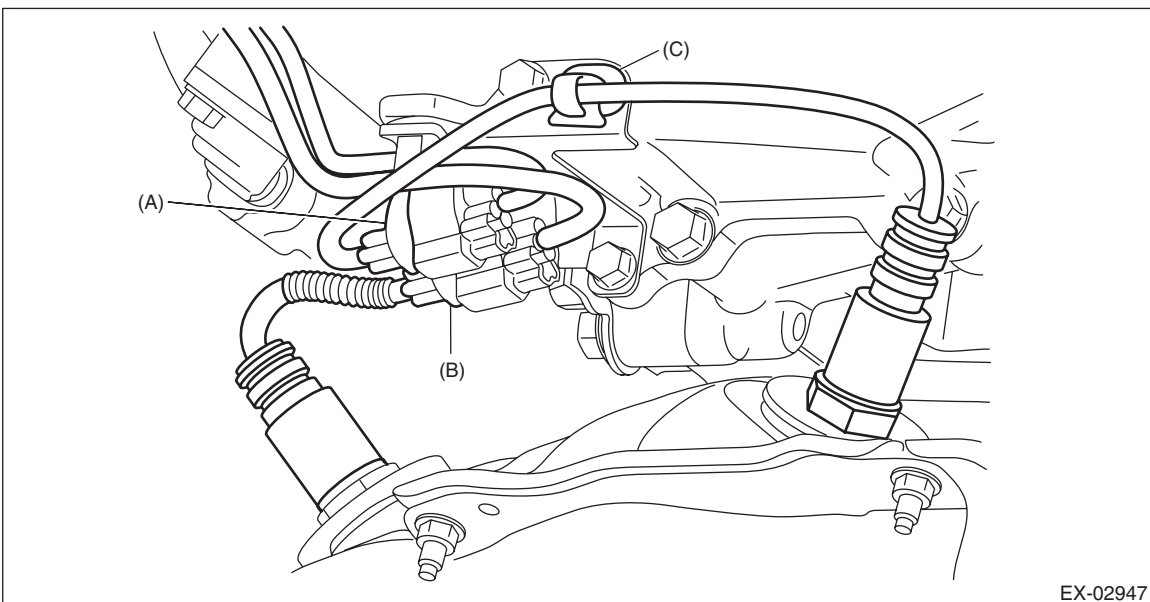
CAUTION:

Vehicle components are extremely hot after driving. Be wary of receiving burns from heated parts.

- 1) Disconnect the ground cable from battery.



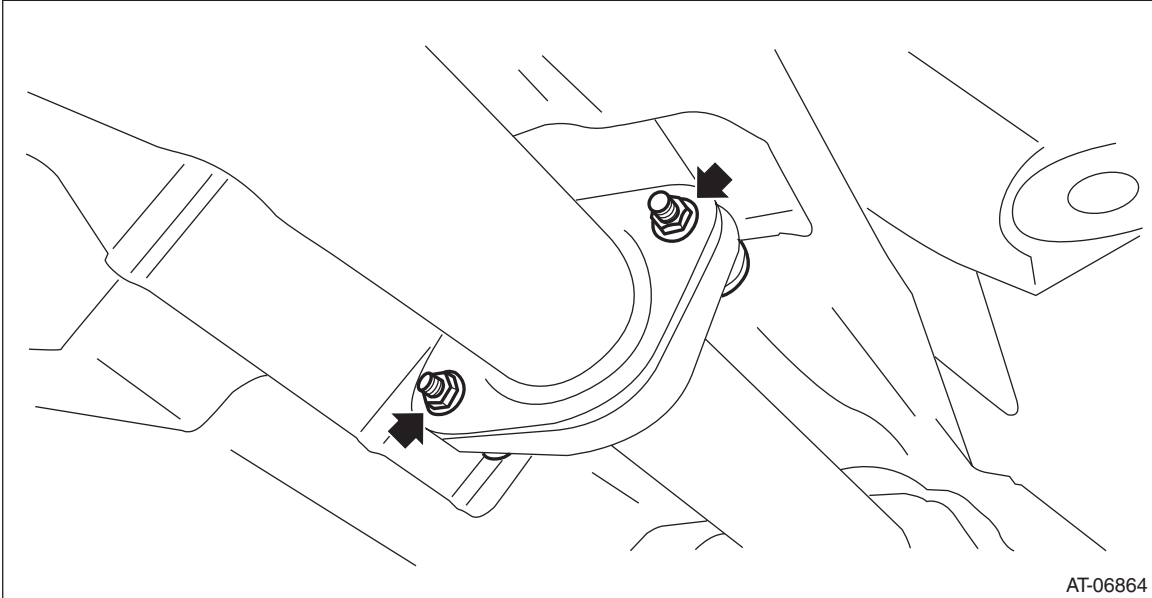
- 2) Lift up the vehicle.
- 3) Remove the under cover. <Ref. to EI-33, REMOVAL, Front Under Cover.>
- 4) Disconnect the front oxygen (A/F) sensor connector (A) and rear oxygen sensor connector (B) and remove the clip (C) fastening the harness.



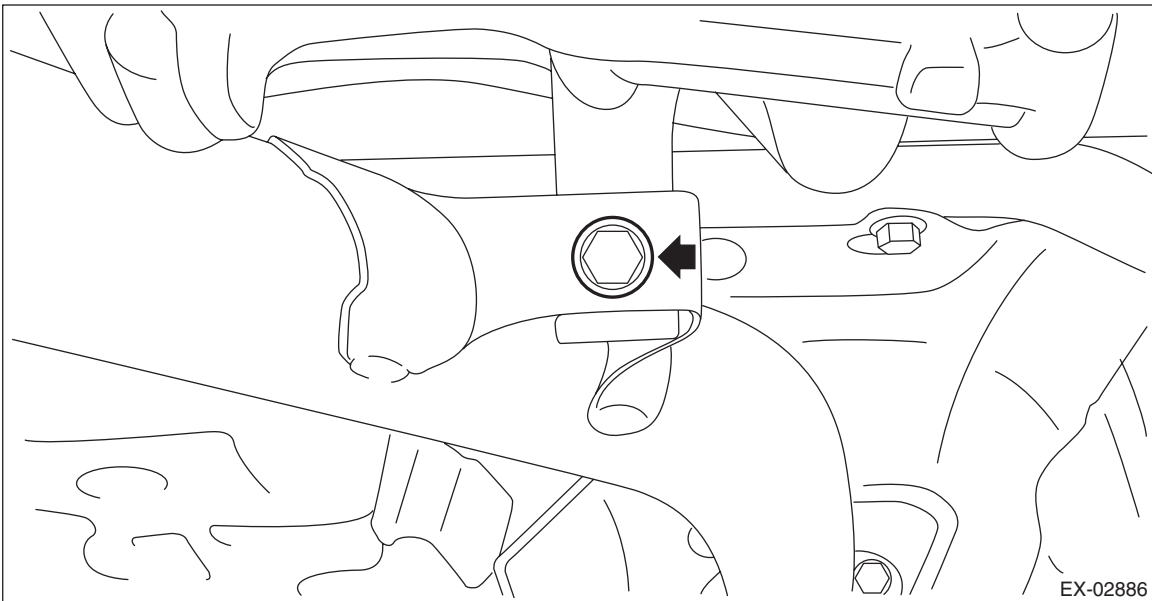
Front Exhaust Pipe

EXHAUST

- 5) Remove the rear exhaust pipe from center exhaust pipe.



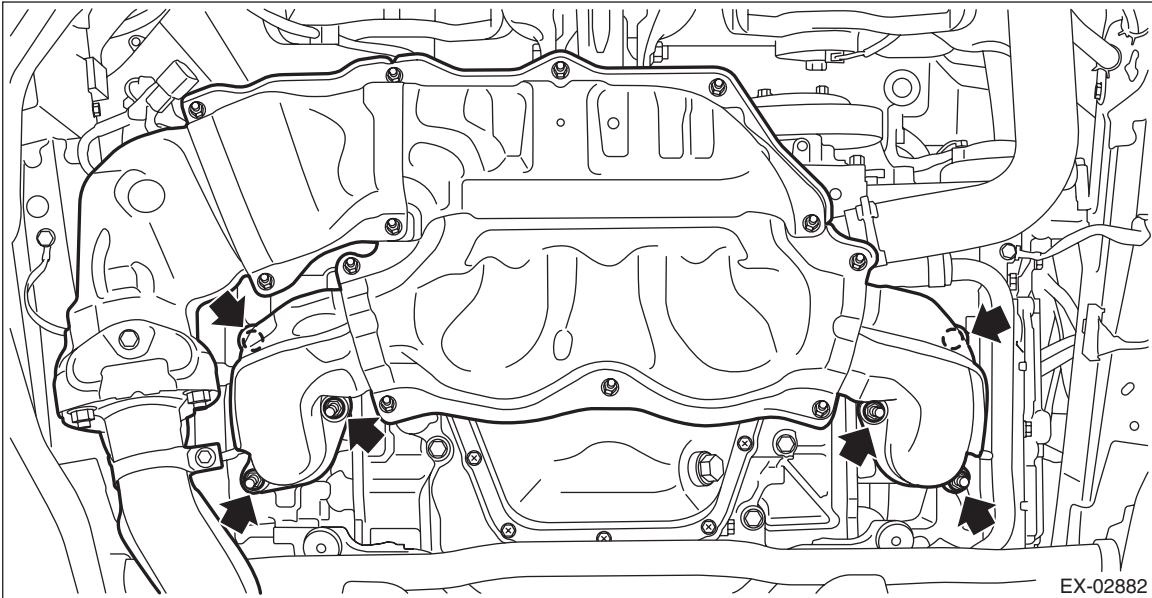
- 6) Remove the bolt which holds center exhaust pipe to hanger bracket.



7) Remove the nuts which hold front exhaust pipe onto cylinder heads.

CAUTION:

Be careful not to drop the front exhaust pipe and center exhaust pipe assembly.

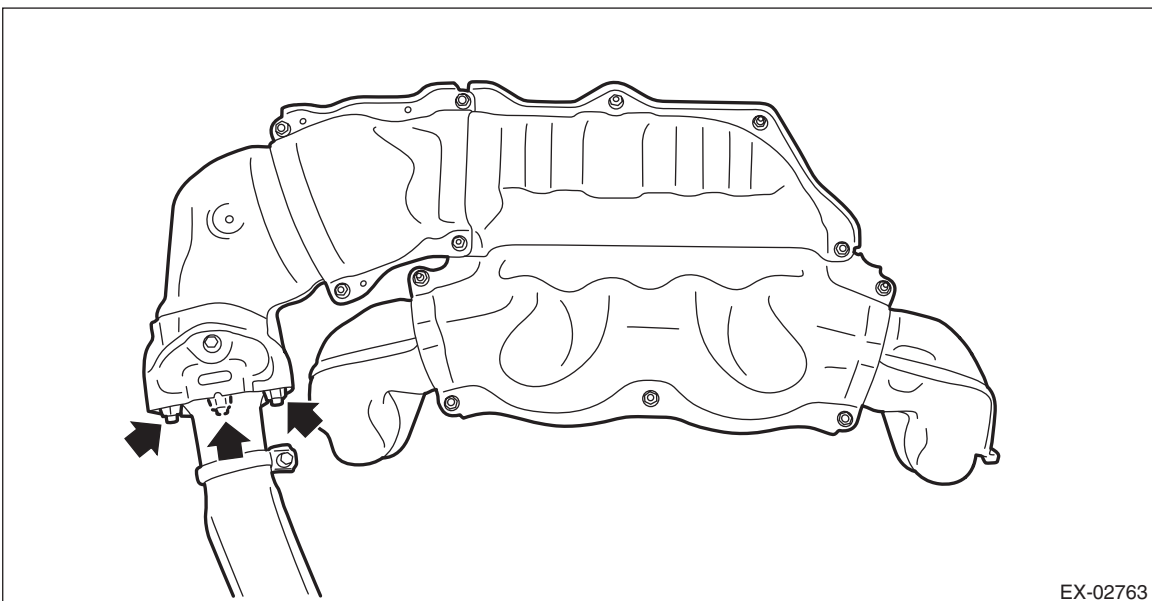


8) Remove the front exhaust pipe and center exhaust pipe from vehicle as a unit.

CAUTION:

- **The front exhaust pipe and center exhaust pipe assembly are very heavy. Be careful not to drop the exhaust pipes when removing.**
- **After removing the front exhaust pipe and center exhaust pipe assembly, do not pull the rear exhaust pipe with excessive force.**

9) Remove the center exhaust pipe from the front exhaust pipe.



10) Remove the front oxygen (A/F) sensor and rear oxygen sensor from front exhaust pipe. <Ref. to FU(H4DO)-91, REMOVAL, Front Oxygen (A/F) Sensor.> <Ref. to FU(H4DO)-96, REMOVAL, Rear Oxygen Sensor.>

Front Exhaust Pipe

EXHAUST

B: INSTALLATION

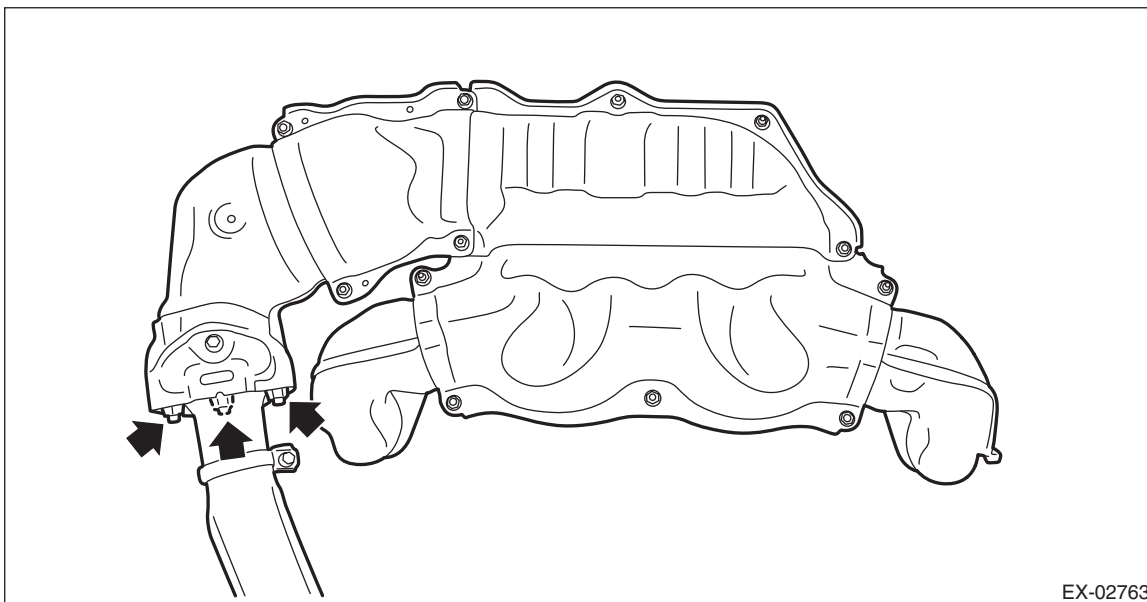
- 1) Install the front oxygen (A/F) sensor and rear oxygen sensor to the front exhaust pipe. <Ref. to FU(H4DO)-93, INSTALLATION, Front Oxygen (A/F) Sensor.> <Ref. to FU(H4DO)-98, INSTALLATION, Rear Oxygen Sensor.>
- 2) Install the center exhaust pipe to front exhaust pipe.

NOTE:

Use a new gasket.

Tightening torque:

35 N·m (3.6 kgf·m, 25.8 ft·lb)



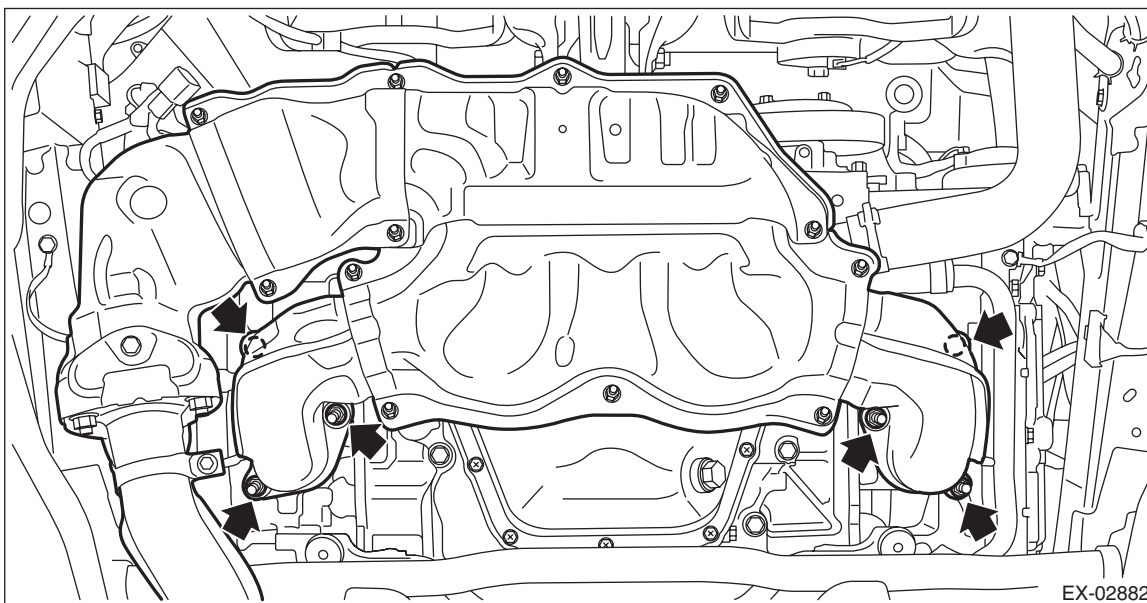
EX-02763

- 3) Install the front exhaust pipe and center exhaust pipe as a unit to the vehicle.

NOTE:

Use a new gasket.

- 4) Temporarily tighten the nuts which hold front exhaust pipe to cylinder heads.



EX-02882

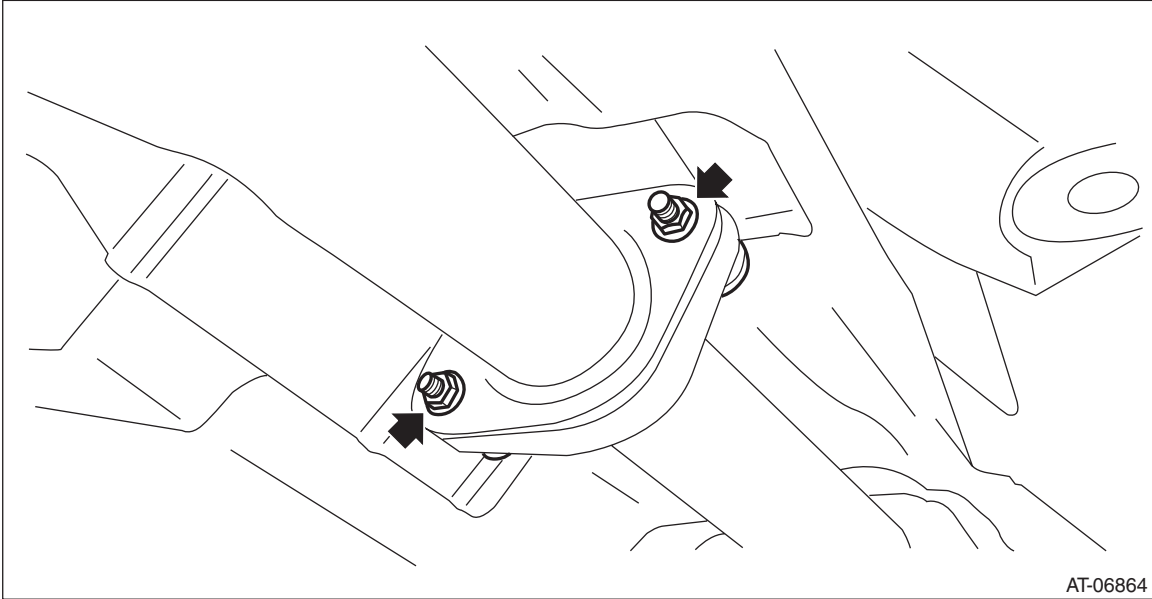
5) Install the rear exhaust pipe to center exhaust pipe.

NOTE:

Use a new gasket.

Tightening torque:

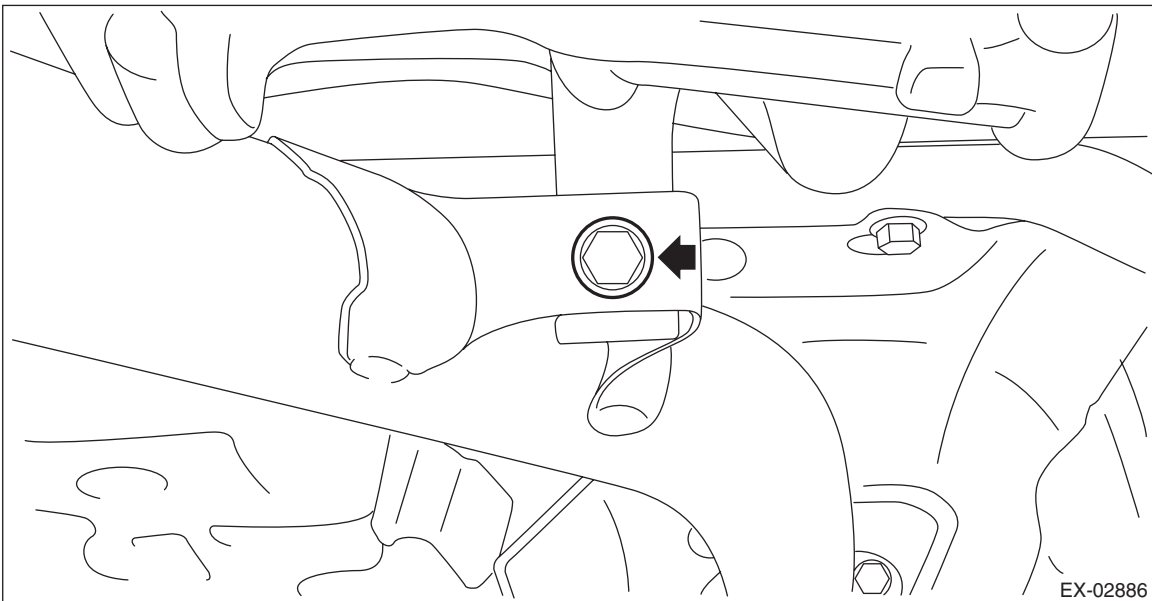
18 N·m (1.8 kgf·m, 13.3 ft·lb)



6) Tighten the bolts which secure the center exhaust pipe to the hanger bracket.

Tightening torque:

35 N·m (3.6 kgf·m, 25.8 ft·lb)



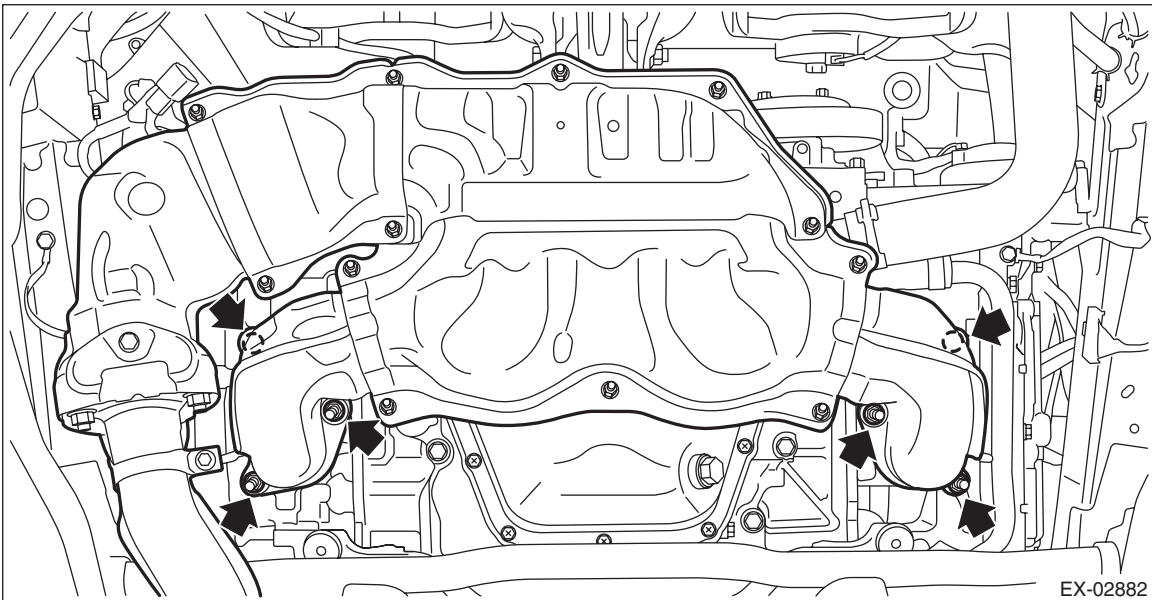
Front Exhaust Pipe

EXHAUST

7) Tighten the nuts which hold front exhaust pipe to cylinder heads.

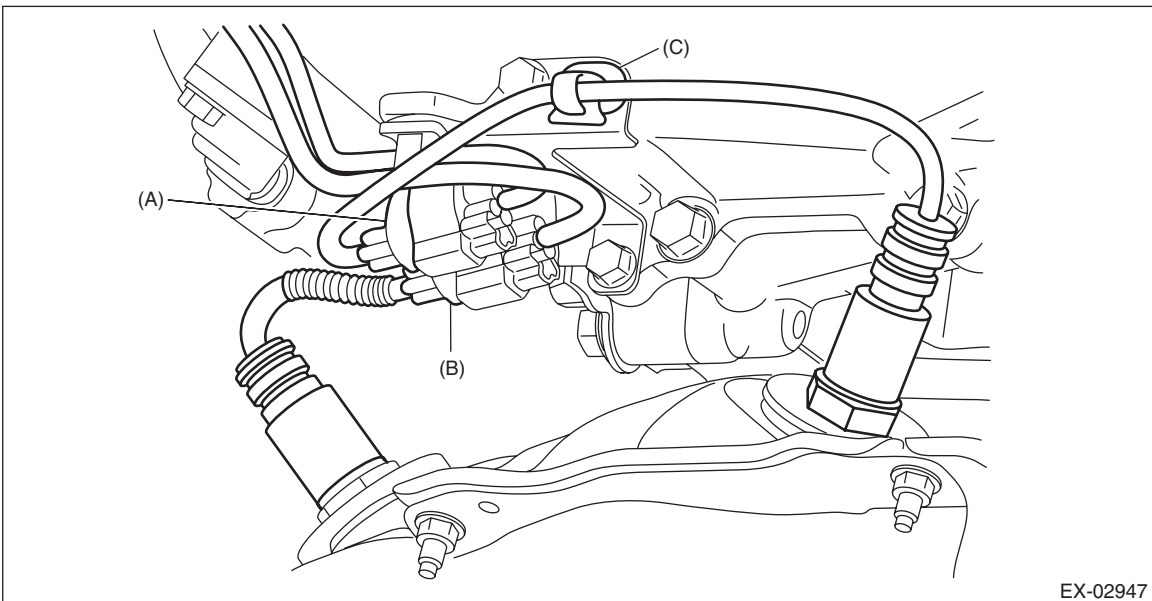
Tightening torque:

30 N·m (3.1 kgf·m, 22.1 ft·lb)



EX-02882

8) Connect the front oxygen (A/F) sensor connector (A) and rear oxygen sensor connector (B), and fasten the harness with the clip (C).

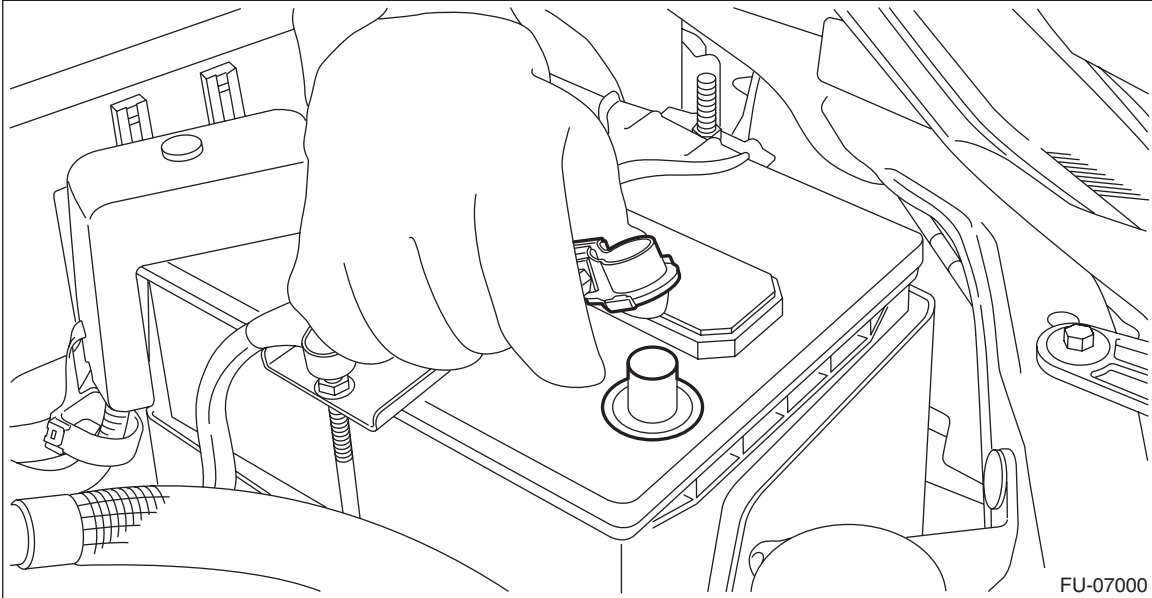


EX-02947

9) Install the under cover. <Ref. to EI-33, INSTALLATION, Front Under Cover.>

10) Lower the vehicle.

11) Connect the battery ground terminal.



C: INSPECTION

- 1) Check the connections and welded parts for exhaust leaks.
- 2) Make sure there are no holes or rusting.