

Muffler

EXHAUST

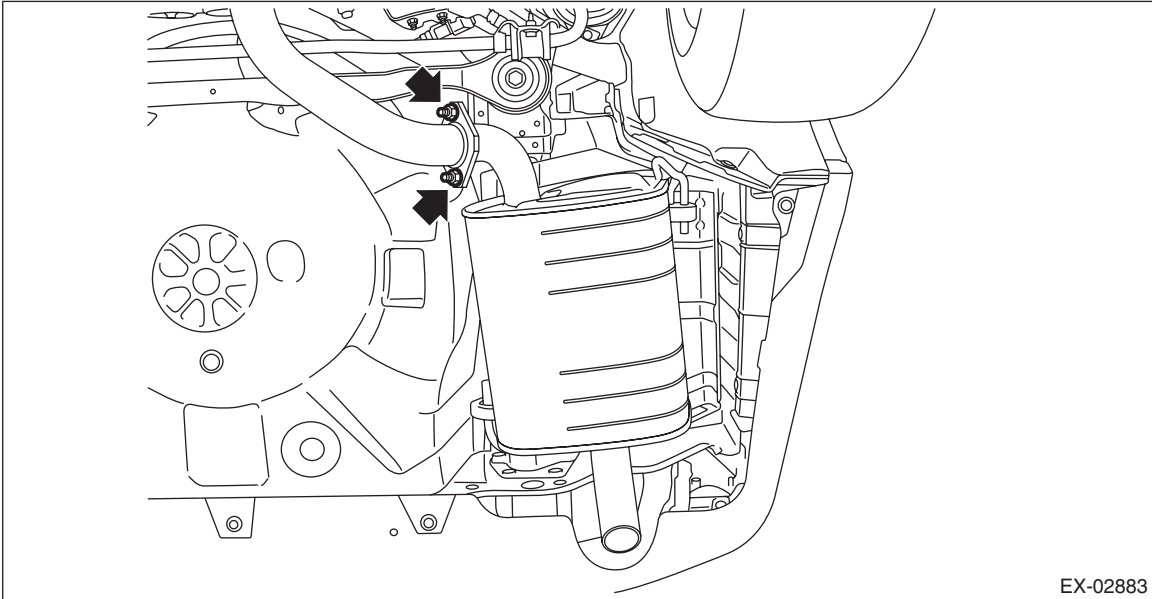
5. Muffler

A: REMOVAL

CAUTION:

Vehicle components are extremely hot after driving. Be wary of receiving burns from heated parts.

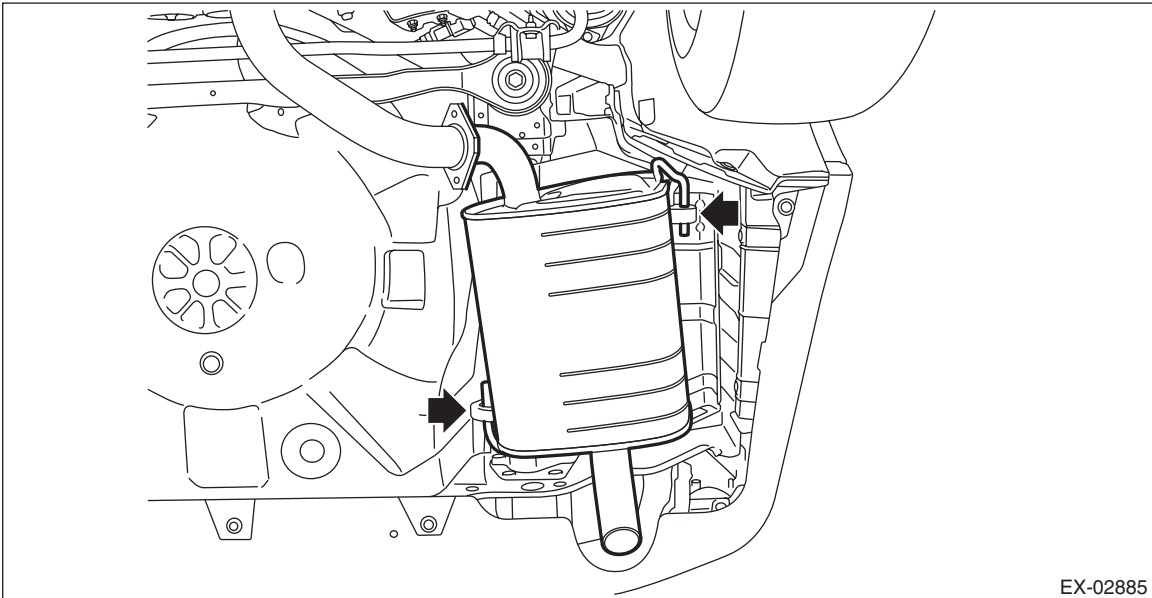
- 1) Lift up the vehicle.
- 2) Remove the rear exhaust pipe from the muffler.



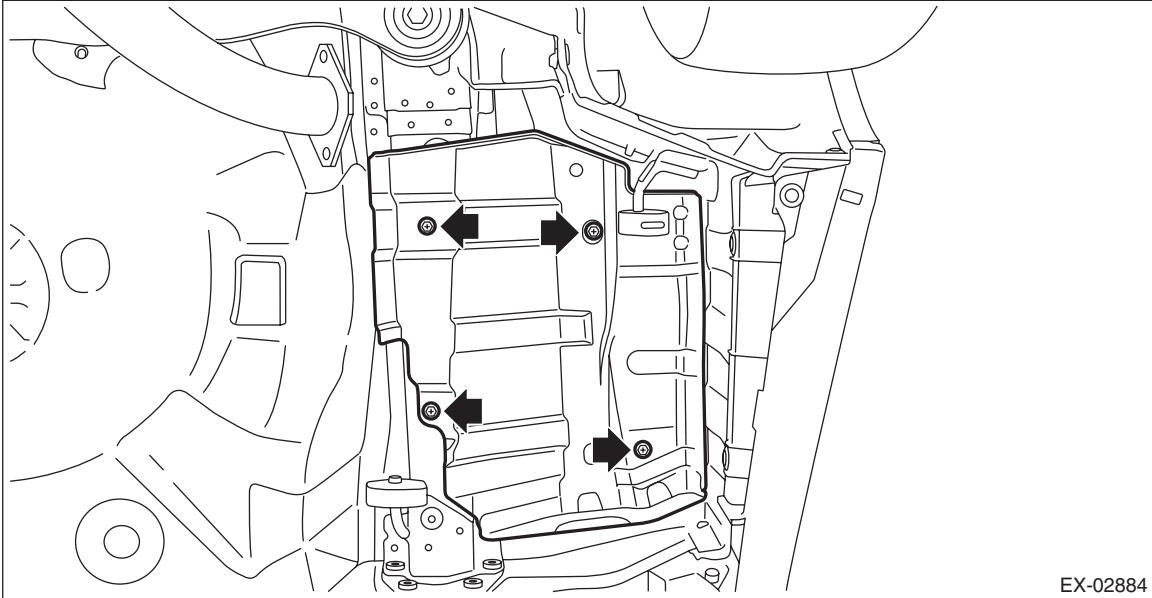
- 3) Apply a coat of spray type lubricant to the mating area of cushion rubber.
- 4) Remove the muffler from the cushion rubber.

CAUTION:

Be careful not to drop the muffler during removal.



5) Remove the heat shield cover from the vehicle.



B: INSTALLATION

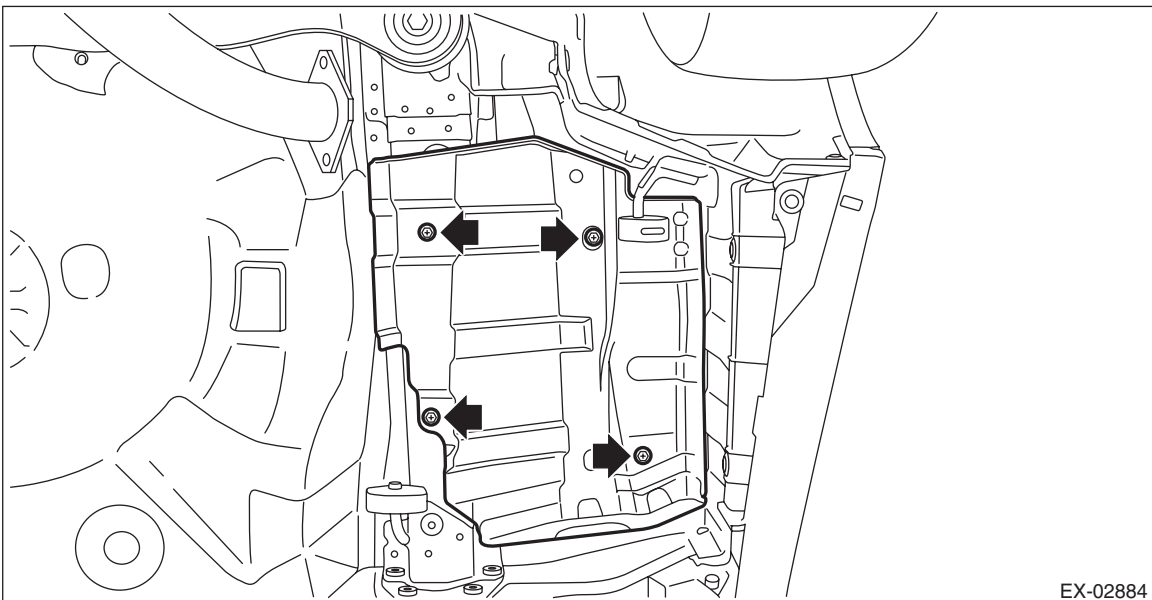
Install in the reverse order of removal.

NOTE:

- Use a new gasket and self-locking nut.
- After assembling, degrease the lubricant which was applied to the cushion rubber while removing/installing.

Tightening torque:

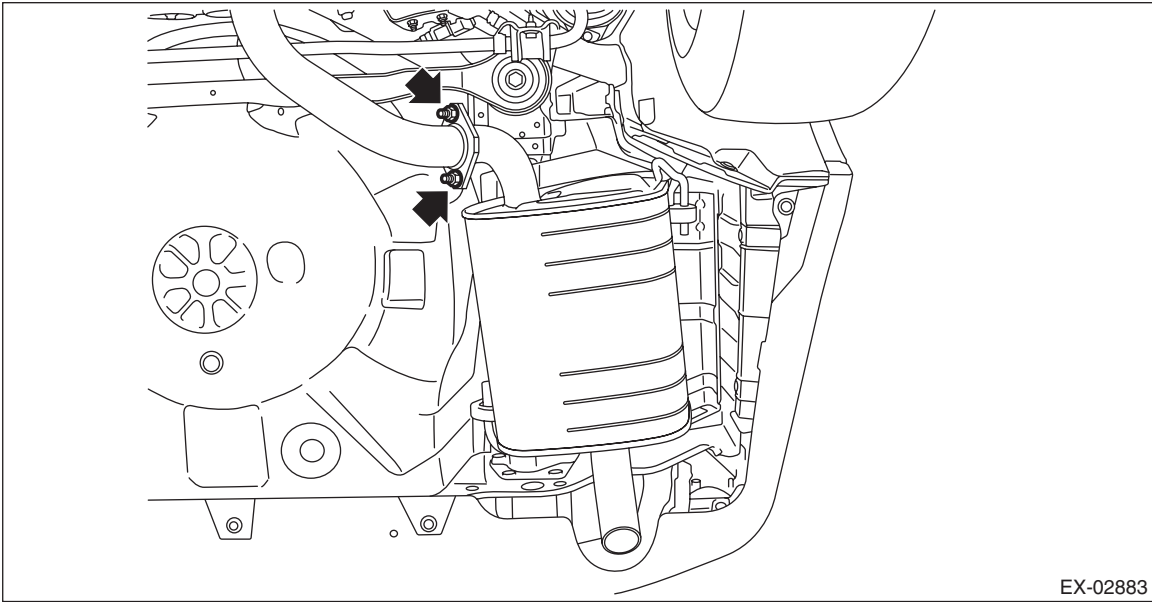
10 N·m (1.0 kgf·m, 7.4 ft·lb)



Muffler

EXHAUST

Tightening torque:
48 N·m (4.9 kgf·m, 35.4 ft·lb)



EX-02883

C: INSPECTION

- 1) Check the connections and welded parts for exhaust leaks.
- 2) Make sure there are no holes or rusting.
- 3) Check the cushion rubber for wear or crack.

COOLING

CO(H4DO)

	Page
1. General Description	2
2. Radiator Fan System	7
3. Engine Coolant	14
4. Water Pump	17
5. Thermostat	21
6. Radiator	25
7. Radiator Cap	36
8. Radiator Main Fan and Fan Motor	37
9. Radiator Sub Fan and Fan Motor	40
10. Reservoir Tank	43
11. Engine Cooling System Trouble in General	44