

25. Fuel

A: PROCEDURE

1. RELEASING OF FUEL PRESSURE

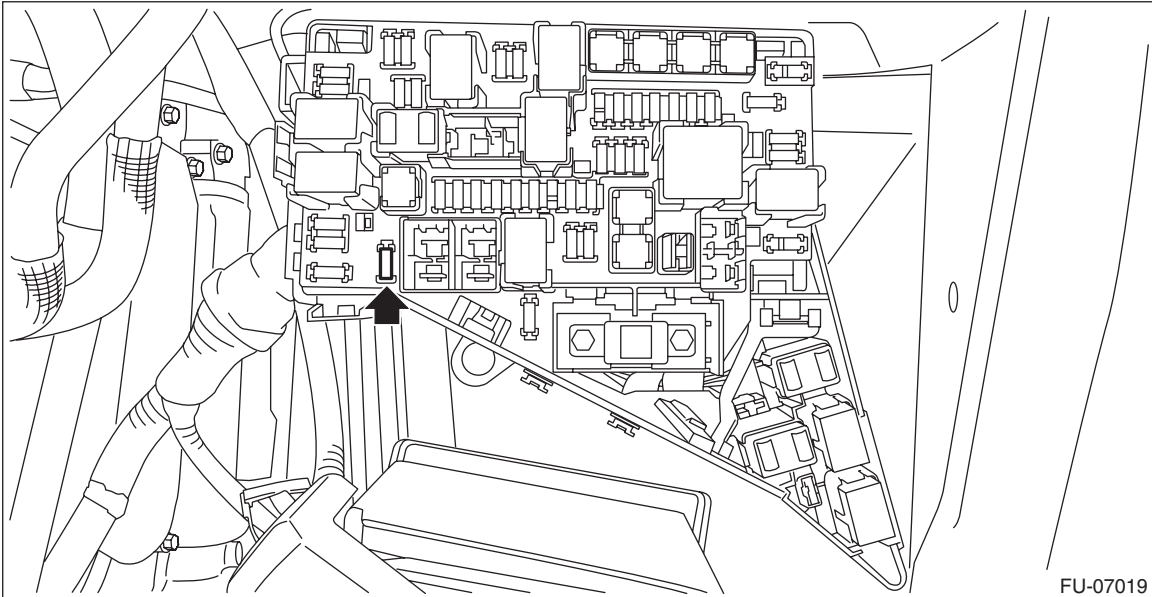
WARNING:

Place “NO OPEN FLAMES” signs near the working area.

CAUTION:

Be careful not to spill fuel.

- 1) Remove the fuse of fuel pump from main fuse box.



- 2) Start the engine and run it until it stalls.
- 3) After the engine stalls, crank it for five more seconds.
- 4) Turn the ignition switch to OFF.
- 5) Install the fuse of fuel pump to the main fuse box.

2. DRAINING FUEL (WITH SUBARU SELECT MONITOR)

WARNING:

Place “NO OPEN FLAMES” signs near the working area.

CAUTION:

Be careful not to spill fuel.

NOTE:

- If the fuel pump cannot be driven, refer to the procedures for draining from the fuel filler hose. <Ref. to FU(H4DO)-110, DRAINING FUEL (THROUGH THE FUEL FILLER HOSE), PROCEDURE, Fuel.>

- Be careful not to let the battery run-out.

- 1) Release the fuel pressure. <Ref. to FU(H4DO)-109, RELEASING OF FUEL PRESSURE, PROCEDURE, Fuel.>

Fuel

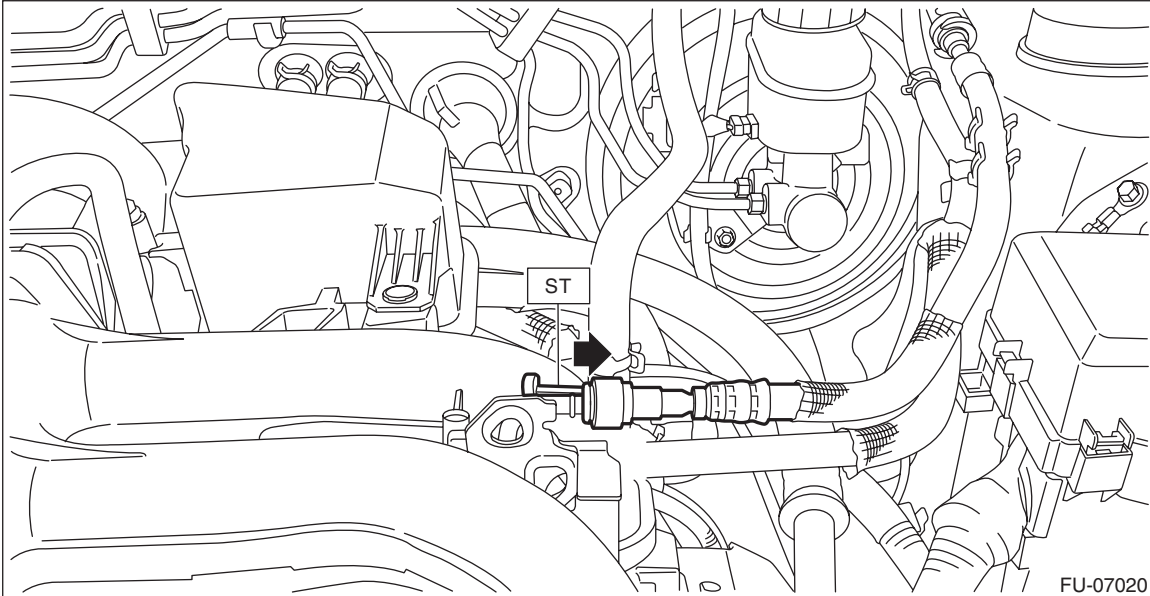
FUEL INJECTION (FUEL SYSTEMS)

2) Attach ST to the fuel delivery pipe and push ST in the direction of arrow mark to disconnect the fuel delivery hose.

ST 42099AE000 QUICK CONNECTOR RELEASE

CAUTION:

- Be careful not to spill fuel.
- Catch the fuel from hoses using a container or cloth.



3) Connect ST to the fuel delivery hose.

ST 18471AA000 FUEL PIPE ADAPTER

4) Connect the gasoline proof hose to ST and put the end of the hose in the container.

5) Drive the fuel pump and drain the fuel using Subaru Select Monitor.

CAUTION:

Be careful not to spill fuel.

NOTE:

For detailed operation procedures, refer to "PC application help for Subaru Select Monitor".

6) Install the related parts in the reverse order after draining the fuel.

3. DRAINING FUEL (THROUGH THE FUEL FILLER HOSE)

WARNING:

Place "NO OPEN FLAMES" signs near the working area.

CAUTION:

- Be careful not to spill fuel.
- Fuel may remain in the fuel filler pipe. Drain the fuel from the fuel filler pipe through the fill opening using the gasoline proof pump and the gasoline proof hose (ø10 or less) before the operation.

1) Lift up the vehicle.

2) Remove the rear exhaust pipe and muffler. <Ref. to EX(H4DO)-13, REMOVAL, Rear Exhaust Pipe.>
<Ref. to EX(H4DO)-16, REMOVAL, Muffler.>

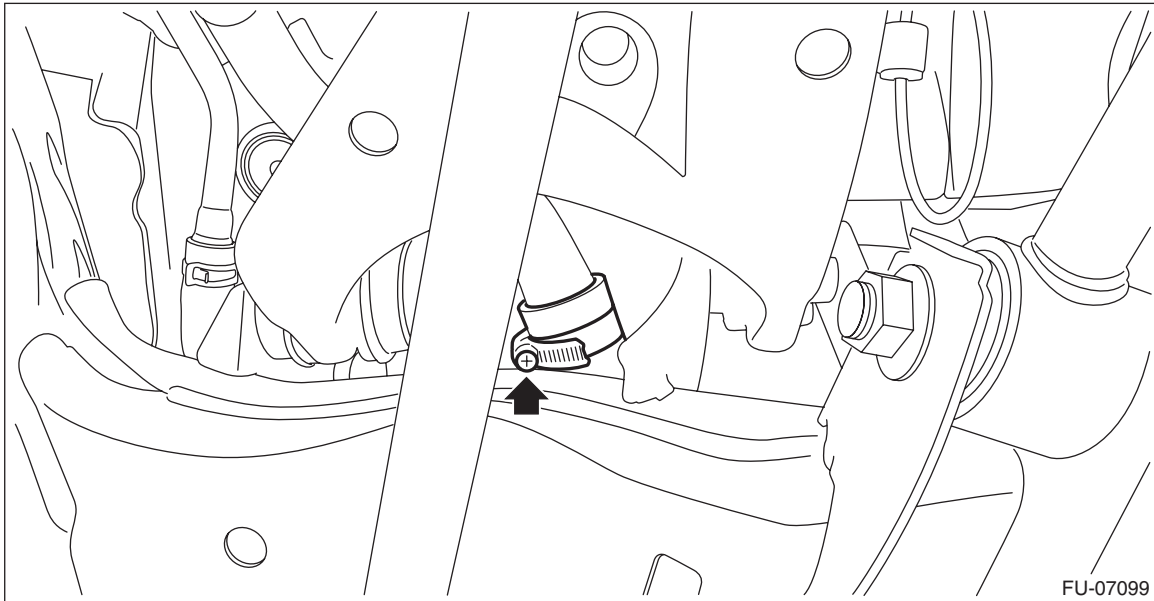
3) Open the fuel filler lid and remove the fuel filler cap.

4) Drain the fuel from the fuel filler pipe through the filler opening using the gasoline proof pump and the gasoline proof hose (ø10 or less).

5) Disconnect the fuel filler hose from the fuel filler pipe assembly.

CAUTION:

- Be careful not to spill fuel.
- Catch the fuel from hoses using a container or cloth.



FU-07099

6) Set the container under the vehicle and insert the gasoline proof hose (ø10 or less) into the fuel filler hose to drain the fuel.

CAUTION:

Be careful not to spill fuel.

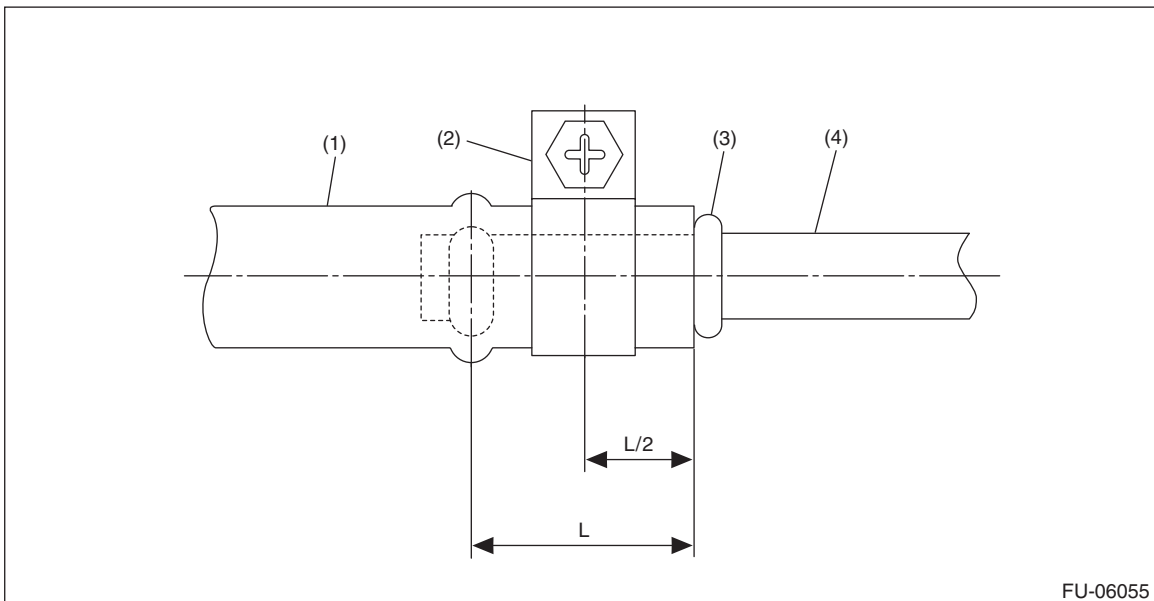
7) Install the related parts in the reverse order after draining the fuel.

NOTE:

Correctly insert the fuel filler hose to the spool, and then install the clamp as shown.

Tightening torque:

2.5 N·m (0.3 kgf-m, 1.8 ft-lb)



FU-06055

- (1) Fuel filler hose
(2) Clamp

- (3) Spool

- (4) Fuel filler pipe