

27. Fuel Filler Pipe

A: REMOVAL

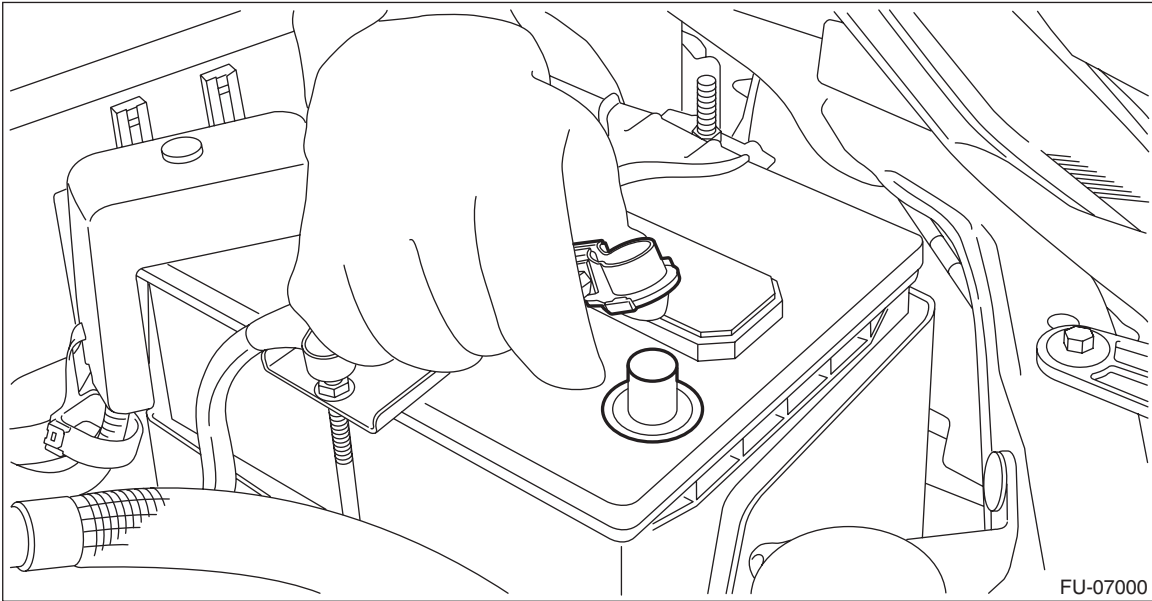
WARNING:

Place "NO OPEN FLAMES" signs near the working area.

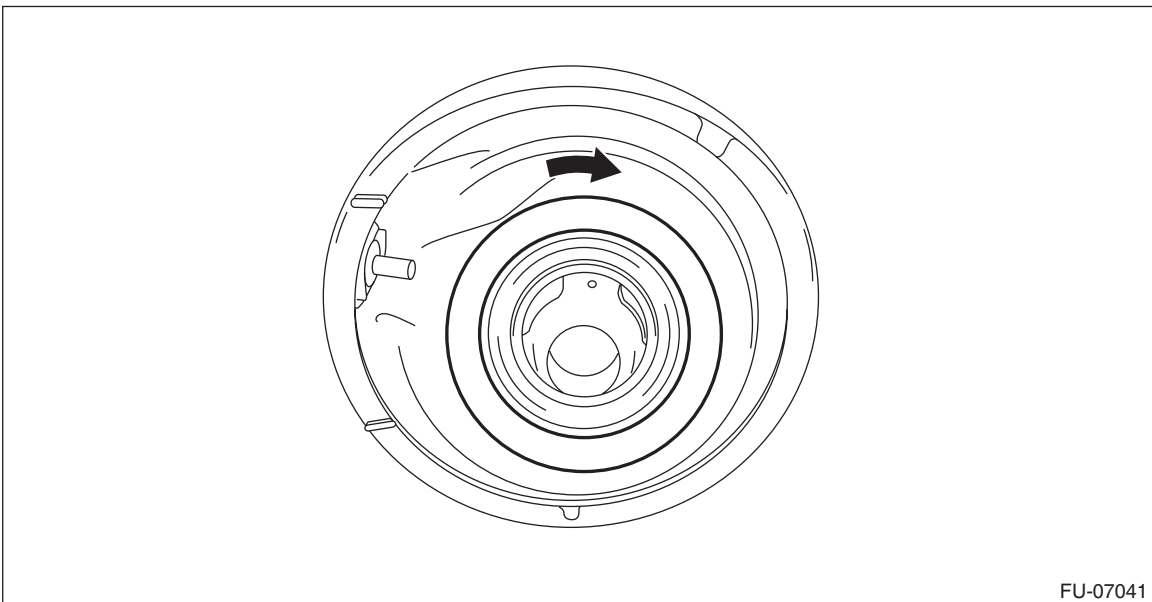
CAUTION:

Be careful not to spill fuel.

- 1) Release the fuel pressure. <Ref. to FU(H4DO)-109, RELEASING OF FUEL PRESSURE, PROCEDURE, Fuel.>
- 2) Drain fuel. <Ref. to FU(H4DO)-109, DRAINING FUEL (WITH SUBARU SELECT MONITOR), PROCEDURE, Fuel.>
- 3) Disconnect the ground cable from battery.



- 4) Open the fuel filler lid and remove the fuel filler cap.
- 5) Turn the fuel filler pipe protector in the direction of the arrow to unlock and remove it.

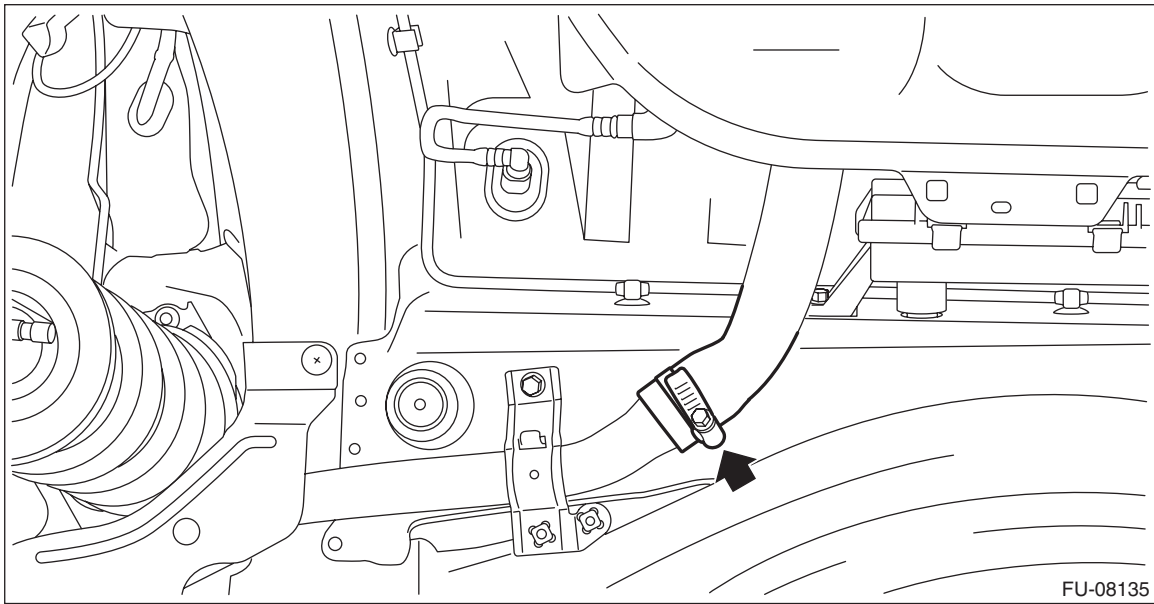


- 6) Remove the rear wheel RH.
- 7) Lift up the vehicle.
- 8) Remove the rear mud guard RH. <Ref. to EI-36, REMOVAL, Mud Guard.>

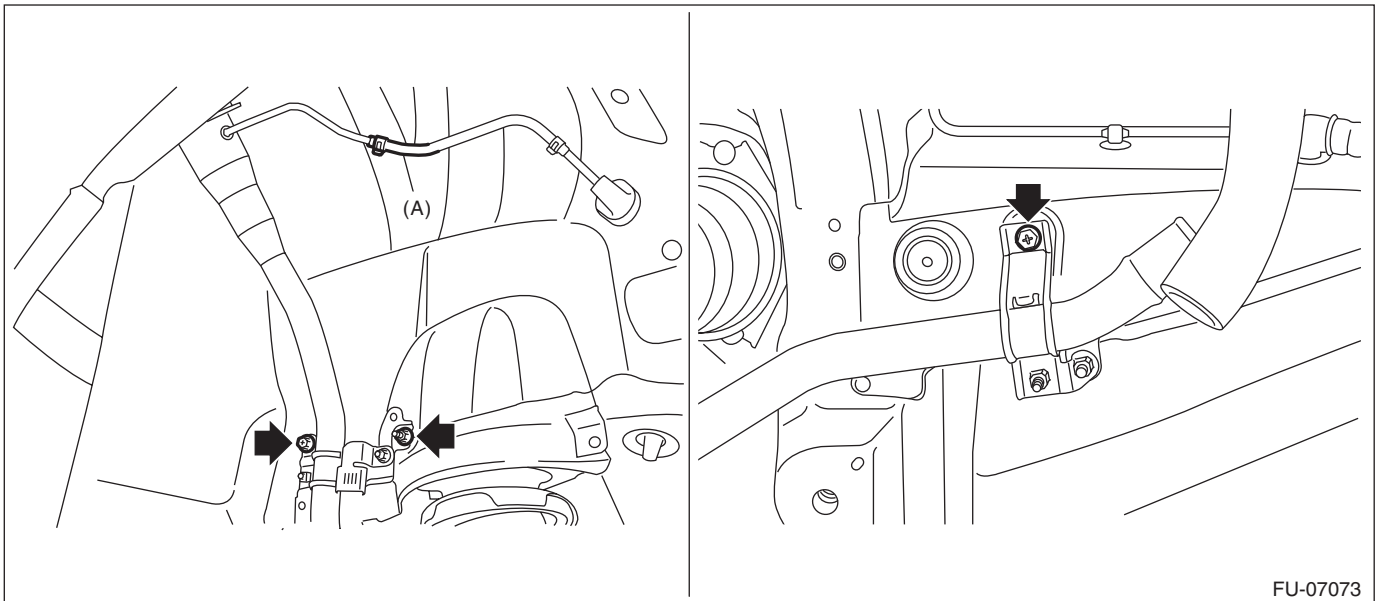
Fuel Filler Pipe

FUEL INJECTION (FUEL SYSTEMS)

- 9) Remove the rear sub frame. <Ref. to RS-16, REMOVAL, Rear Sub Frame.>
- 10) Disconnect the fuel filler hose from the fuel filler pipe assembly.



- 11) Disconnect the evaporation hose (A) from fuel filler pipe assembly and remove the bolts and nuts securing the fuel filler pipe assembly to the vehicle body.



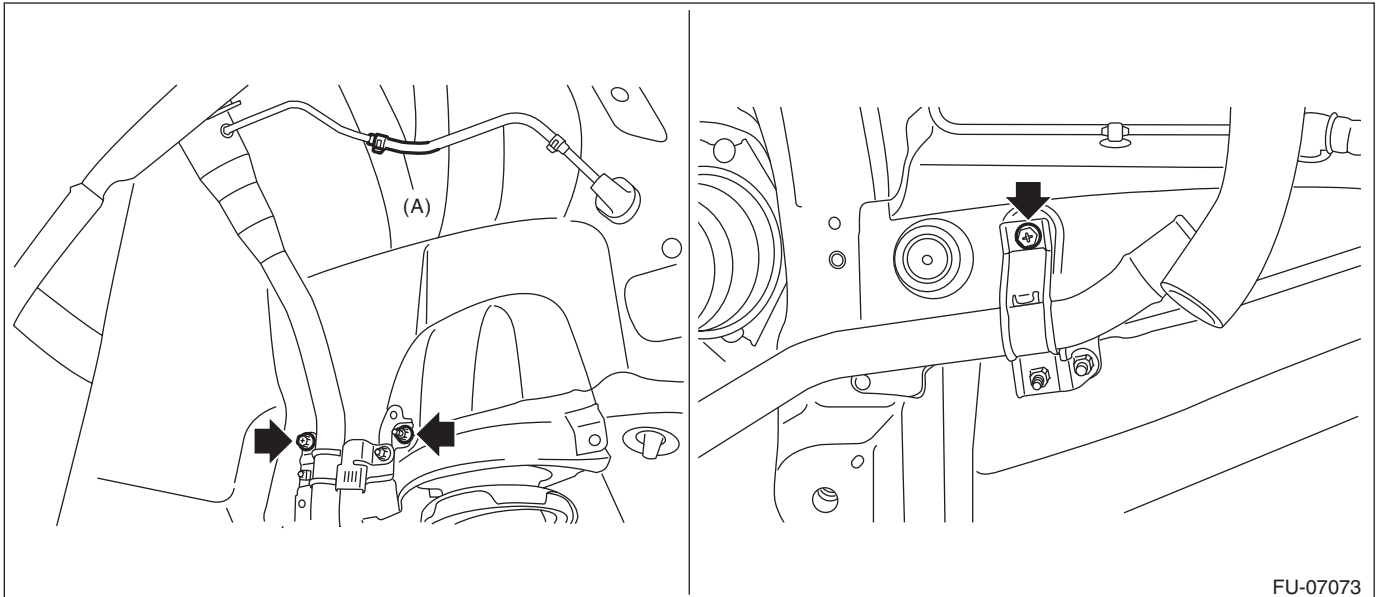
- 12) Remove the fuel filler pipe assembly from the underside of the vehicle.

B: INSTALLATION

- 1) Open the fuel filler lid.
- 2) Insert the fuel filler pipe assembly into the rubber saucer from inside of the rear fender.
- 3) Install the fuel filler pipe assembly to the vehicle body and connect the evaporation hose (A) to the fuel filler pipe assembly.

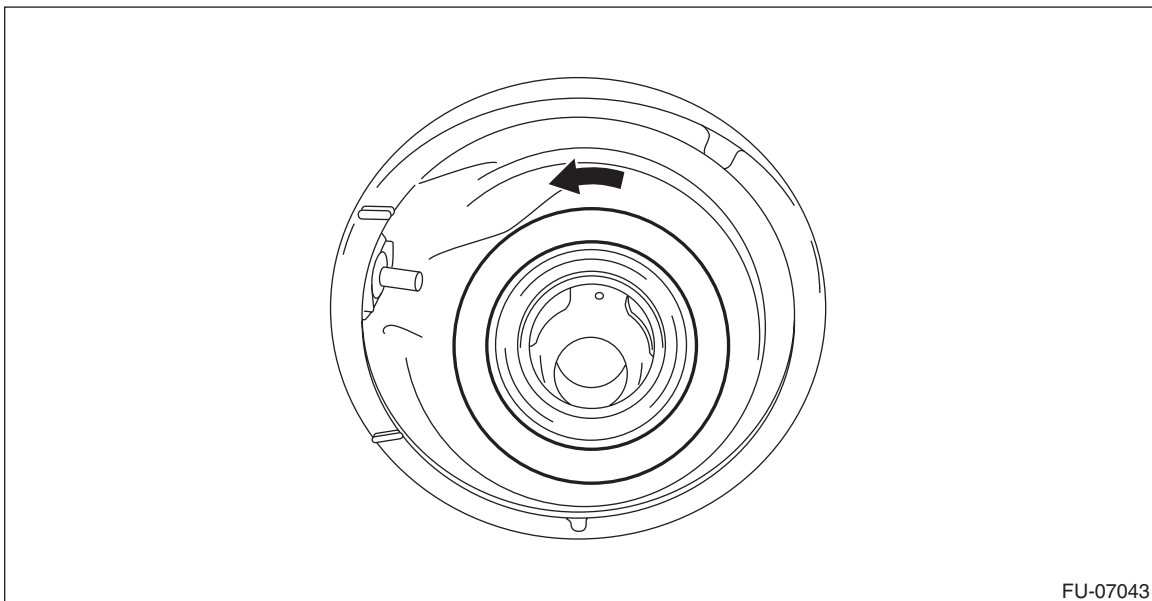
Tightening torque:

7.5 N·m (0.8 kgf-m, 5.5 ft-lb)



FU-07073

- 4) Align the cutout on the fuel filler pipe protector and the protrusion of the neck holder and insert them all the way, and then turn the fuel filler pipe protector in the direction of the arrow until it is locked.



FU-07043

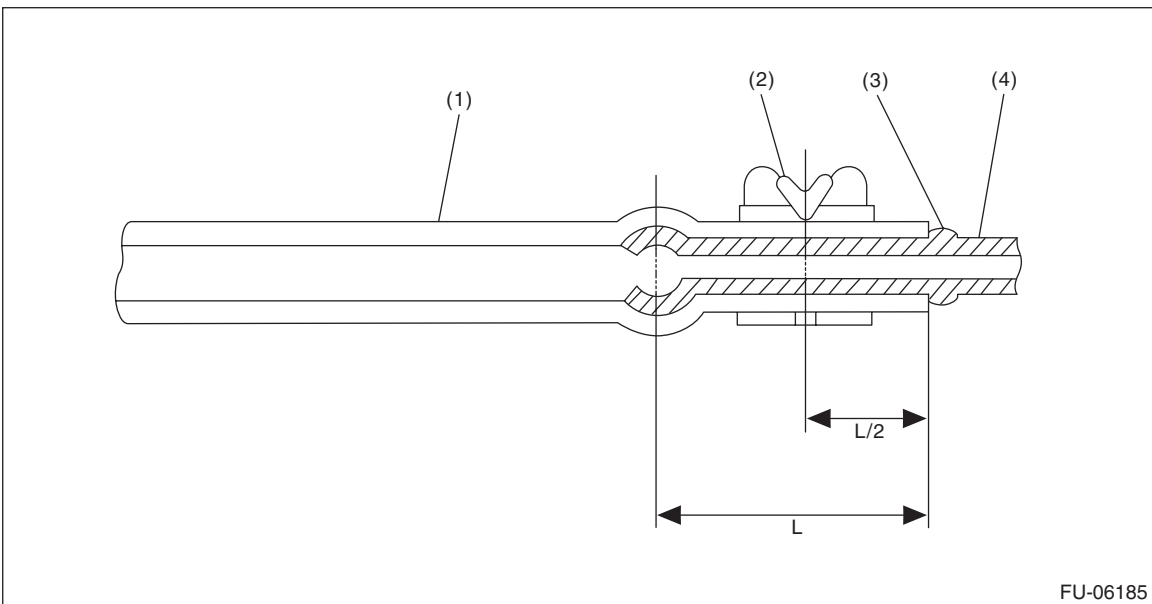
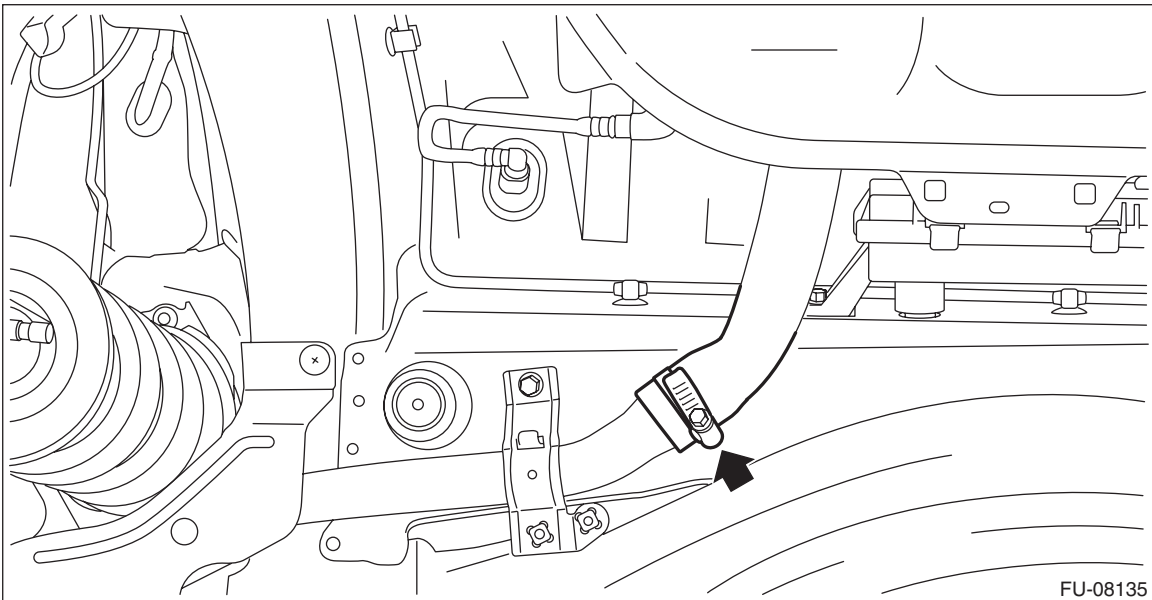
Fuel Filler Pipe

FUEL INJECTION (FUEL SYSTEMS)

5) Correctly insert the fuel filler hose to the spool, and then install the clamp as shown.

Tightening torque:

2.5 N·m (0.3 kgf·m, 1.8 ft·lb)



- (1) Hose
(2) Clamp
(3) Spool
(4) Pipe

6) Install the rear sub frame. <Ref. to RS-18, INSTALLATION, Rear Sub Frame.>

7) Install the rear mud guard RH. <Ref. to EI-36, INSTALLATION, Mud Guard.>

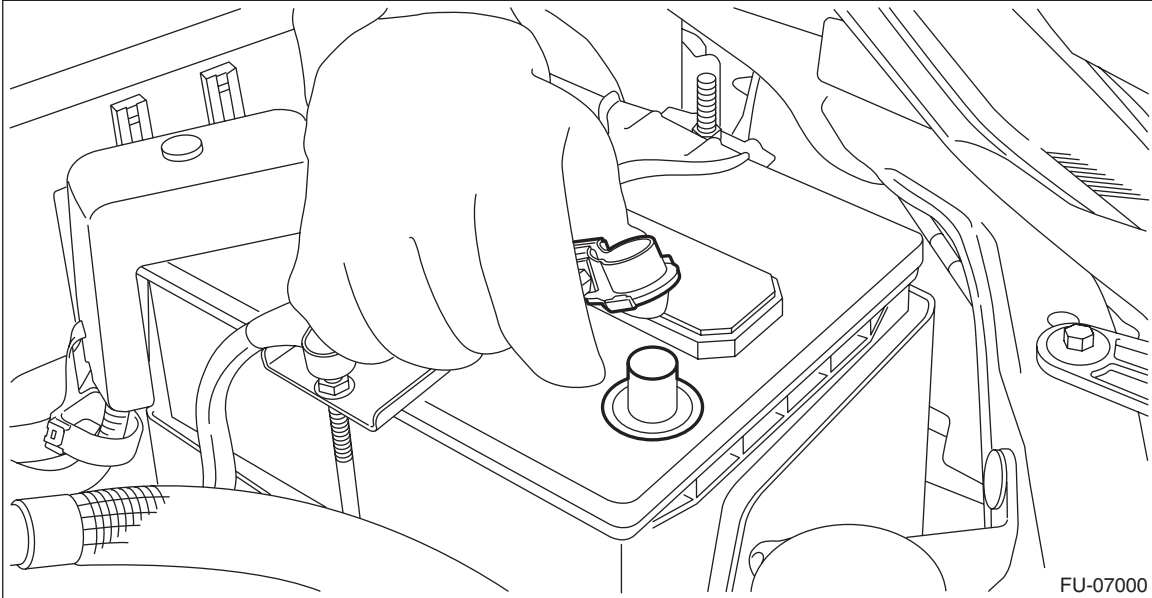
8) Lower the vehicle.

9) Install the rear wheel RH.

Tightening torque:

120 N·m (12.2 kgf·m, 88.5 ft·lb)

10) Connect the battery ground terminal.

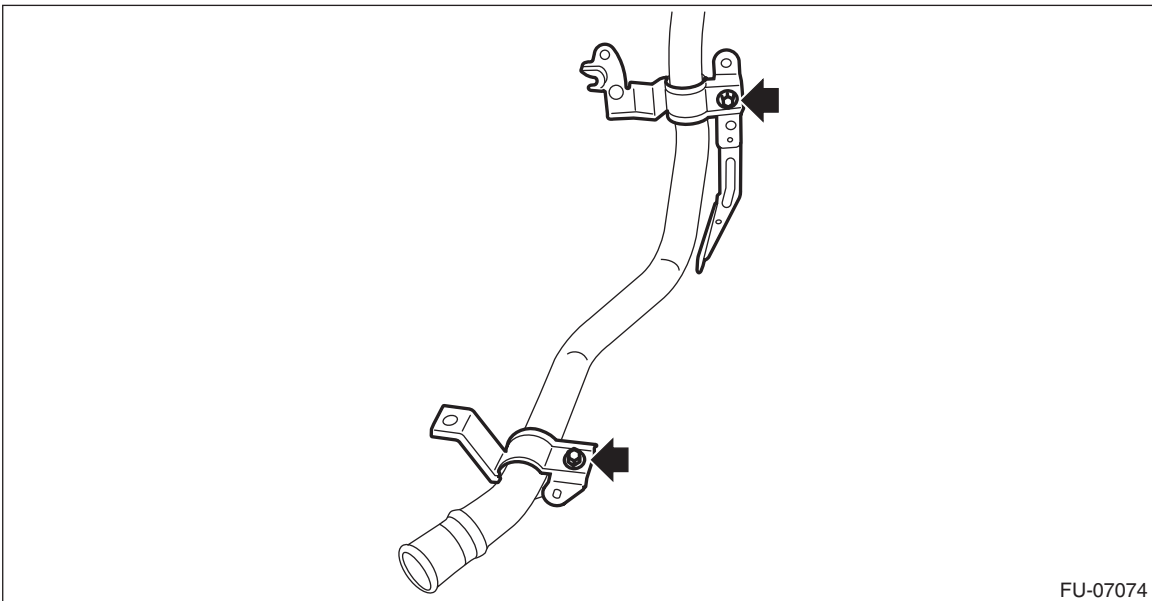


FU-07000

11) Inspect the wheel alignment and adjust if necessary.

C: DISASSEMBLY

Remove the fuel filler pipe bracket from the fuel filler pipe.



FU-07074

Fuel Filler Pipe

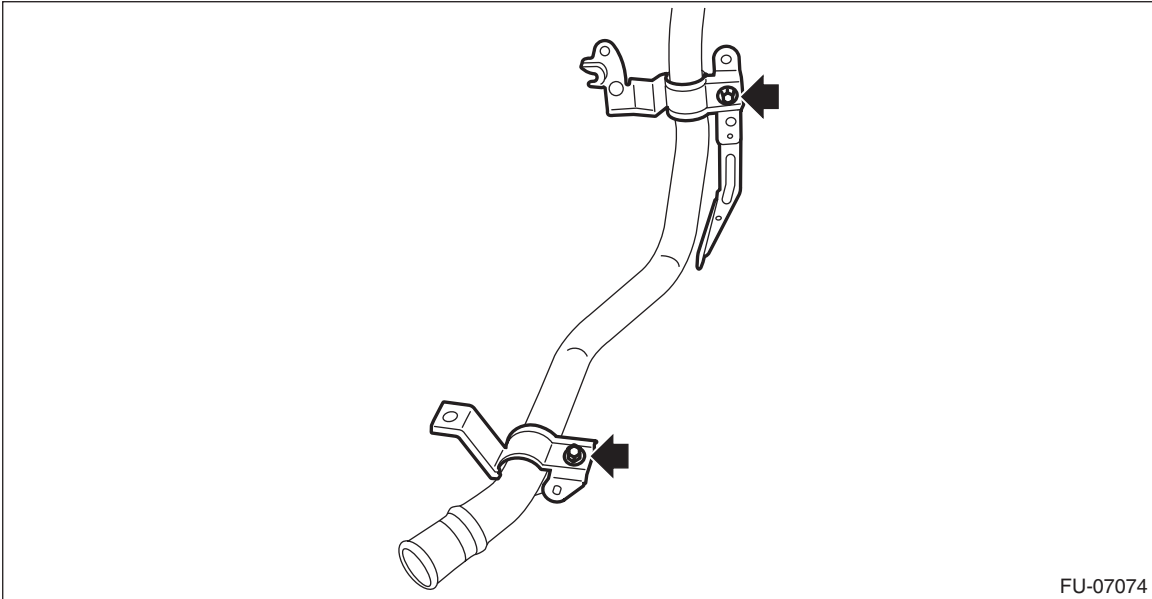
FUEL INJECTION (FUEL SYSTEMS)

D: ASSEMBLY

Install the fuel filler pipe bracket to the fuel filler pipe.

Tightening torque:

7.35 N·m (0.7 kgf-m, 5.4 ft-lb)



FU-07074

E: INSPECTION

- 1) Check that the fuel filler pipe does not have deformation, cracks or other damages.
- 2) Check that the fuel hose has no cracks, damage or loose part.