

28. Fuel Pump

A: REMOVAL

WARNING:

Place "NO OPEN FLAMES" signs near the working area.

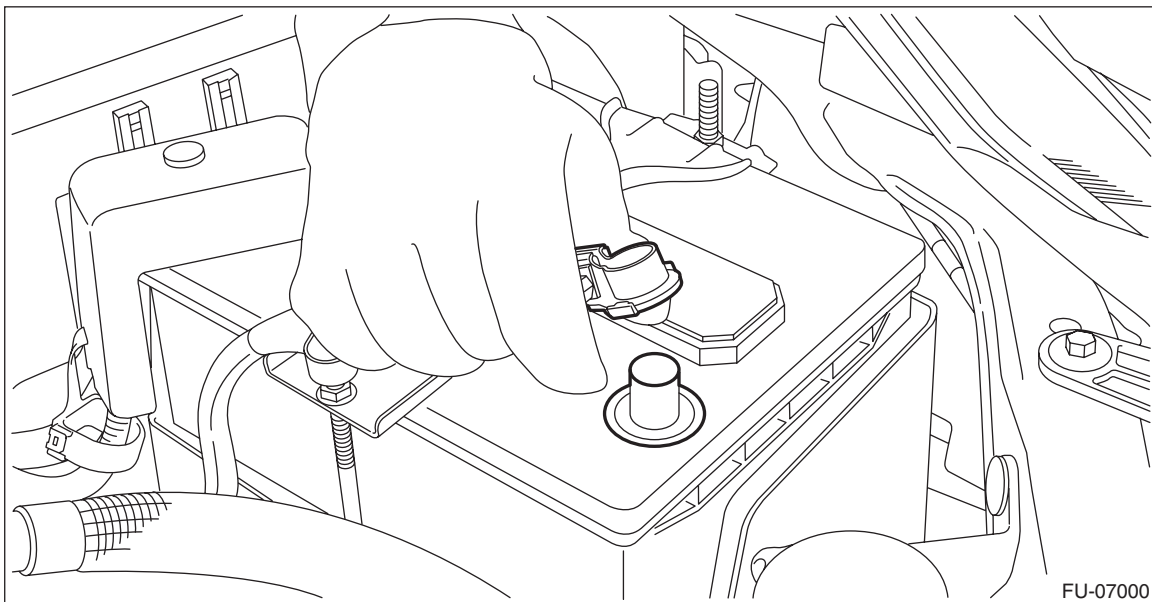
CAUTION:

- Be careful not to spill fuel.
- Catch the fuel from the tubes using a container or cloth.
- If the fuel gauge indicates that two thirds or more of the fuel is remaining, be sure to drain fuel before starting work to avoid the fuel to spill.

NOTE:

Fuel pump assembly consists of fuel pump, fuel filter, fuel chamber and fuel level sensor.

- 1) Release the fuel pressure. <Ref. to FU(H4DO)-109, RELEASING OF FUEL PRESSURE, PROCEDURE, Fuel.>
- 2) Drain fuel. <Ref. to FU(H4DO)-109, DRAINING FUEL (WITH SUBARU SELECT MONITOR), PROCEDURE, Fuel.>
- 3) Disconnect the ground cable from battery.

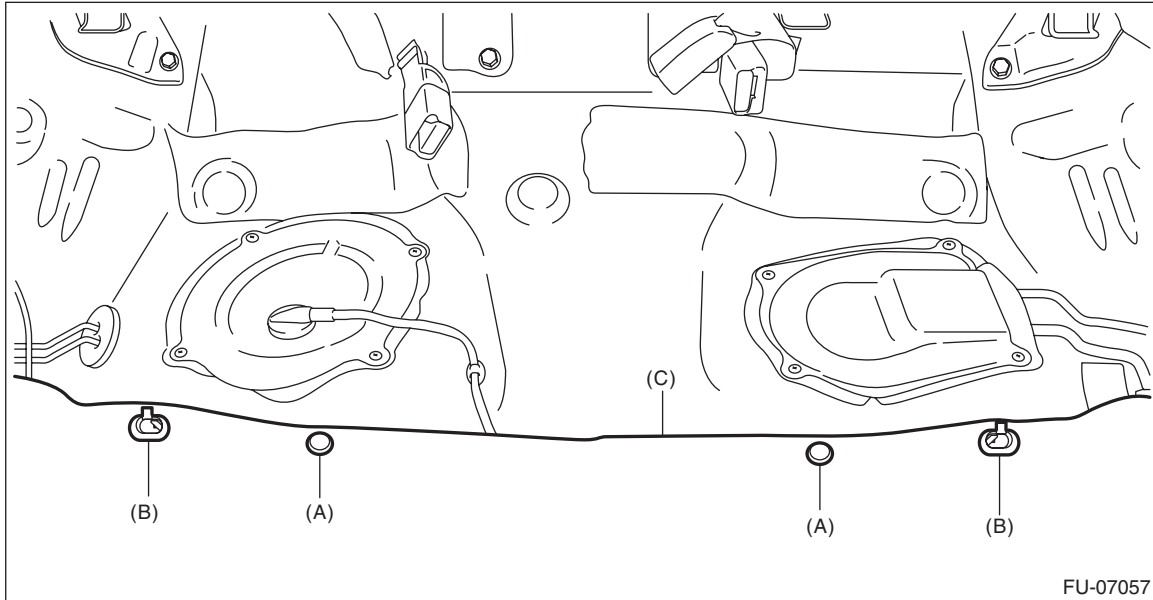


- 4) Remove the rear seat cushion. <Ref. to SE-34, REMOVAL, Rear Seat.>

Fuel Pump

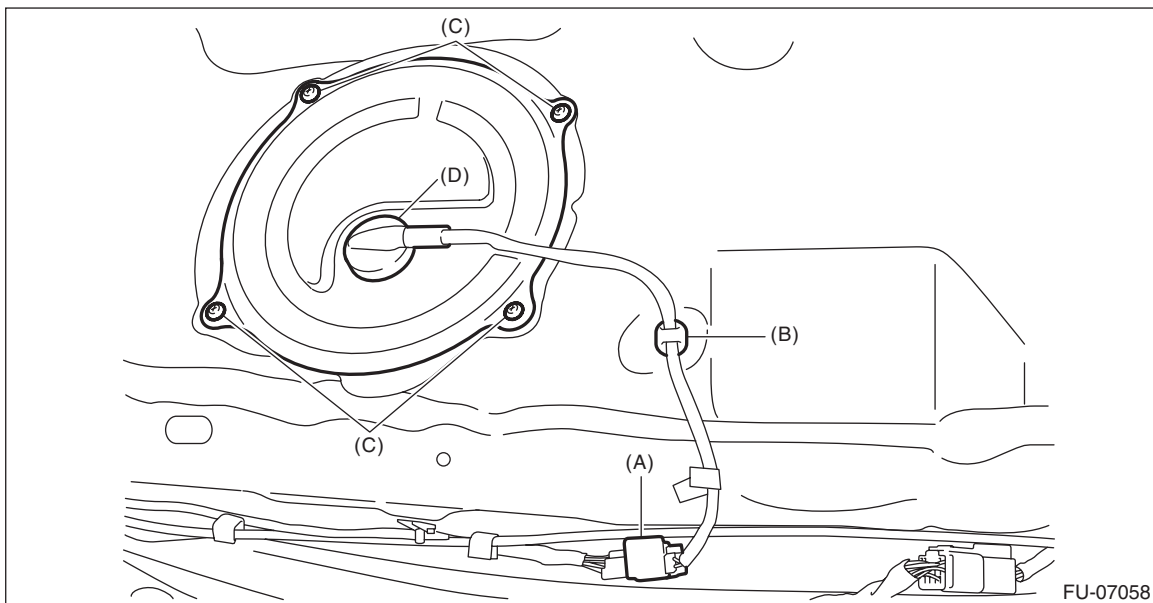
FUEL INJECTION (FUEL SYSTEMS)

5) Remove the clips (A) and seat cushion hooks (B), and turn over the floor mat (C).



6) Remove the service hole cover.

- (1) Disconnect the fuel cord connector (A), and remove the clip (B).
- (2) Remove the screw (C).
- (3) Push the grommet (D) down and remove the service hole cover.

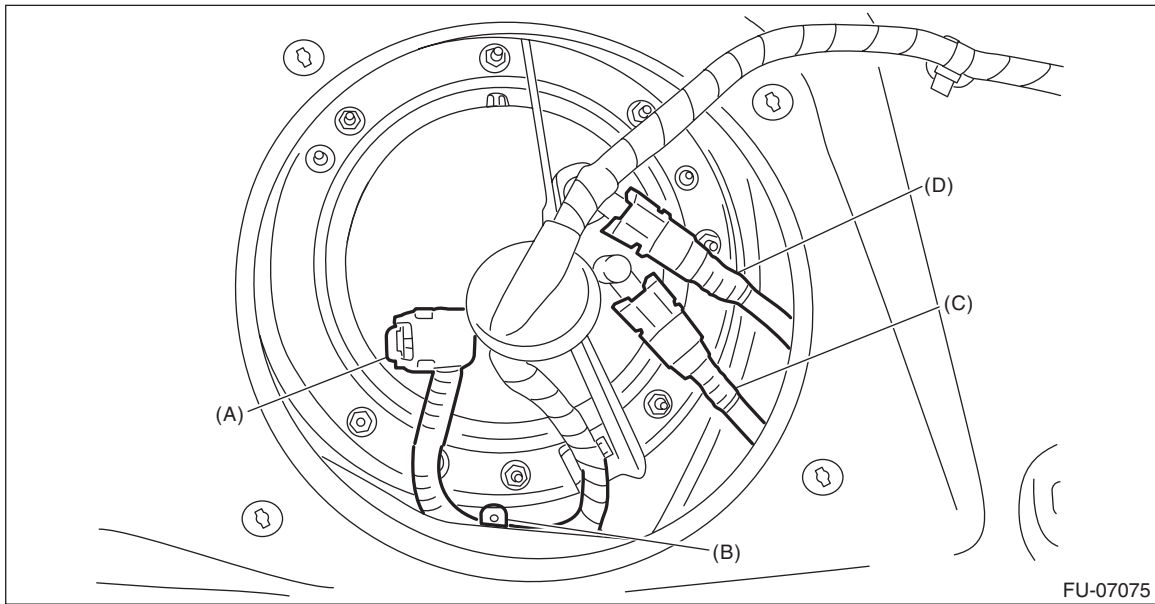


7) Disconnect the connector (A) from fuel pump, and remove the clip (B) securing the harness.

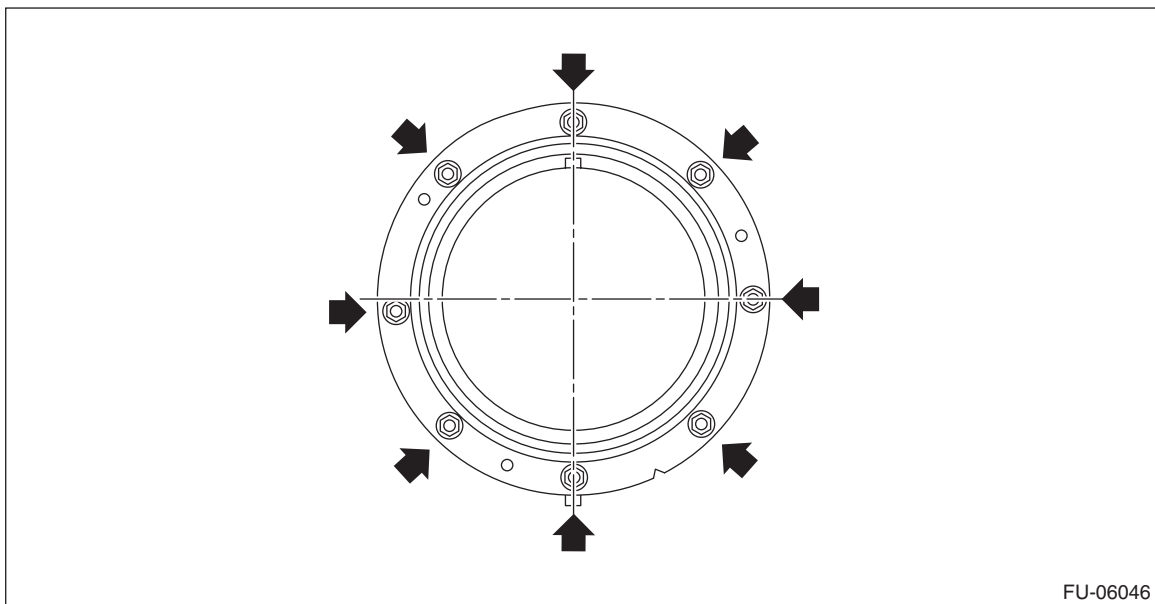
Fuel Pump

FUEL INJECTION (FUEL SYSTEMS)

8) Disconnect the quick connector of fuel delivery tube (C) and fuel sub delivery tube (D). <Ref. to FU(H4DO)-158, REMOVAL, Fuel Delivery and Evaporation Lines.>



9) Remove the nuts securing the fuel pump upper plate to the fuel tank and remove the fuel pump upper plate.



10) Remove the fuel pump assembly from the fuel tank.

Fuel Pump

FUEL INJECTION (FUEL SYSTEMS)

B: INSTALLATION

Install in the reverse order of removal while being careful of the following.

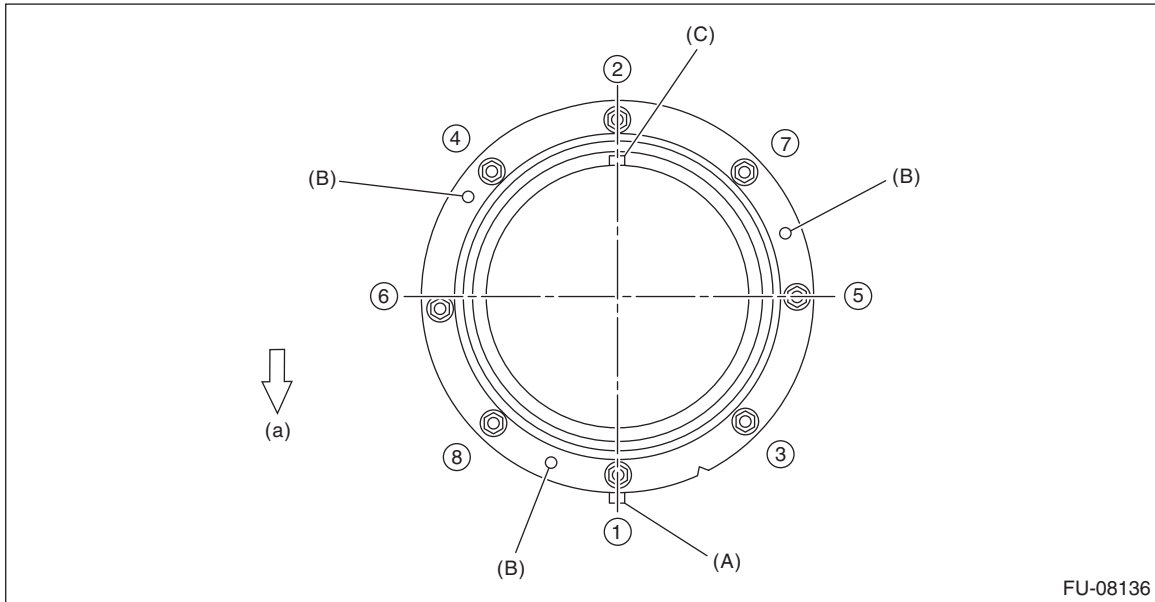
- Make sure the sealing portion is free from fuel or foreign matter before installation.
- Align protrusion (A) of the gasket to the position shown in the figure.
- Insert the protrusion (B) of gasket to the fuel pump upper plate. (3 places)
- Align the protrusion (C) of fuel pump assembly with the cutout on the fuel pump upper plate.
- Tighten the nuts to the specified torque in the order as shown in the figure.

NOTE:

Use a new gasket.

Tightening torque:

4.4 N·m (0.4 kgf·m, 3.2 ft·lb)



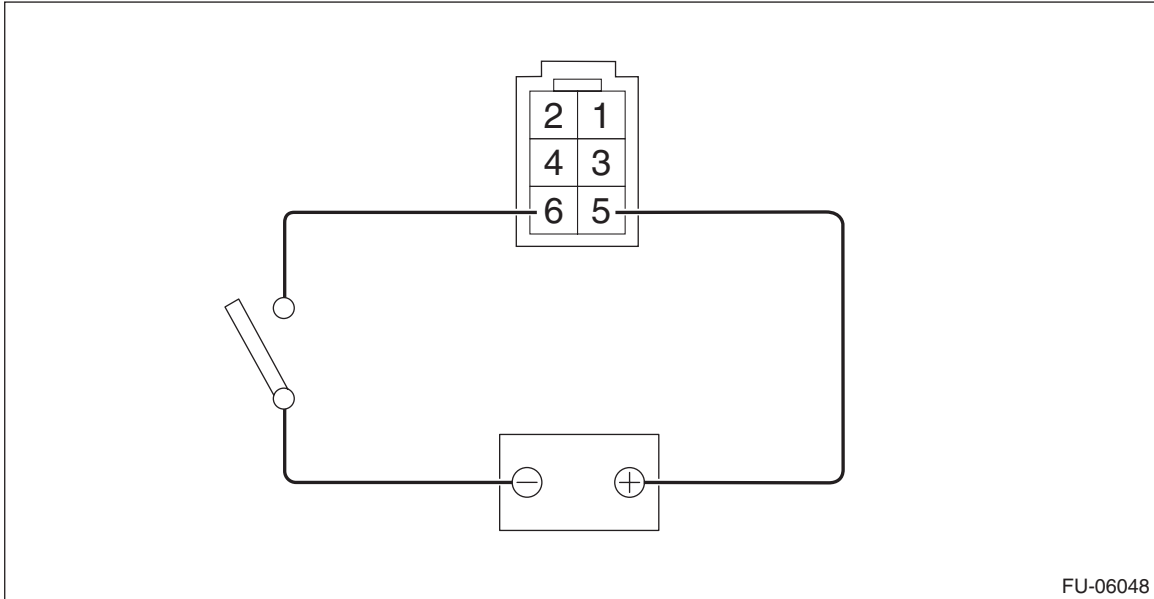
(a) Front side of vehicle

C: INSPECTION

- 1) Check that the fuel pump has no deformation, cracks or other damages.
- 2) Connect the battery positive terminal to terminal No. 5 and the battery ground terminal to terminal No. 6, and inspect the fuel pump operation.

WARNING:

- Wipe off fuel completely.
- Keep the battery as far apart from fuel pump as possible.
- Do not run the fuel pump for a long time under non-load condition.



FU-06048