

Fuel Filter

FUEL INJECTION (FUEL SYSTEMS)

31. Fuel Filter

A: REMOVAL

WARNING:

Place “NO OPEN FLAMES” signs near the working area.

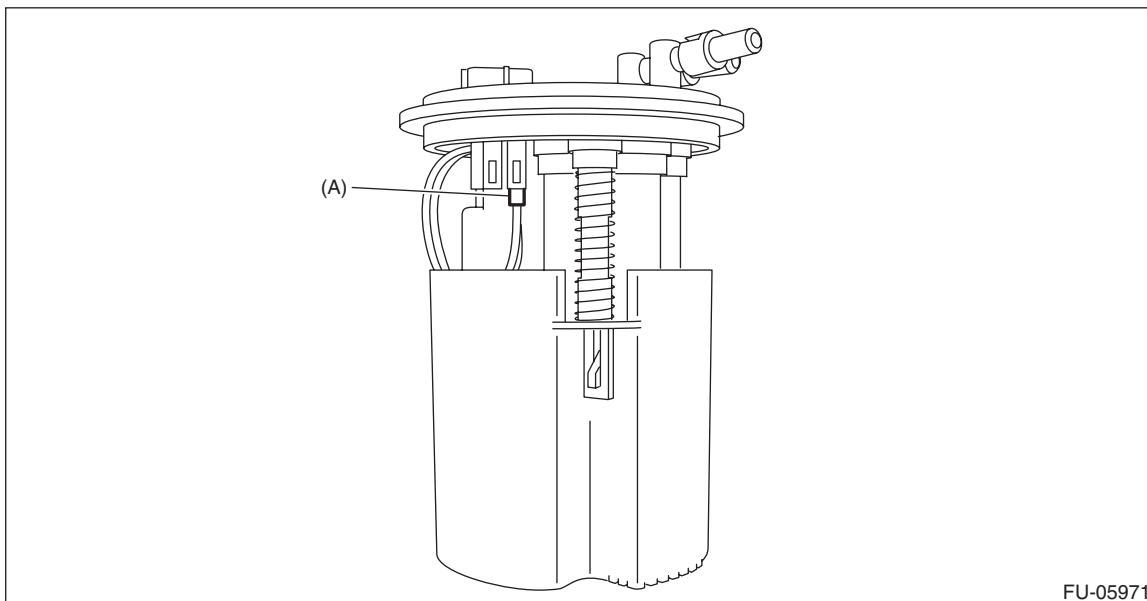
CAUTION:

- Be careful not to spill fuel.
- If the fuel gauge indicates that two thirds or more of the fuel is remaining, be sure to drain fuel before starting work to avoid the fuel to spill.
- Be careful not to drop or apply any impact to the fuel pump during work. This may deteriorate its performance.

NOTE:

The fuel filter is built in fuel pump assembly.

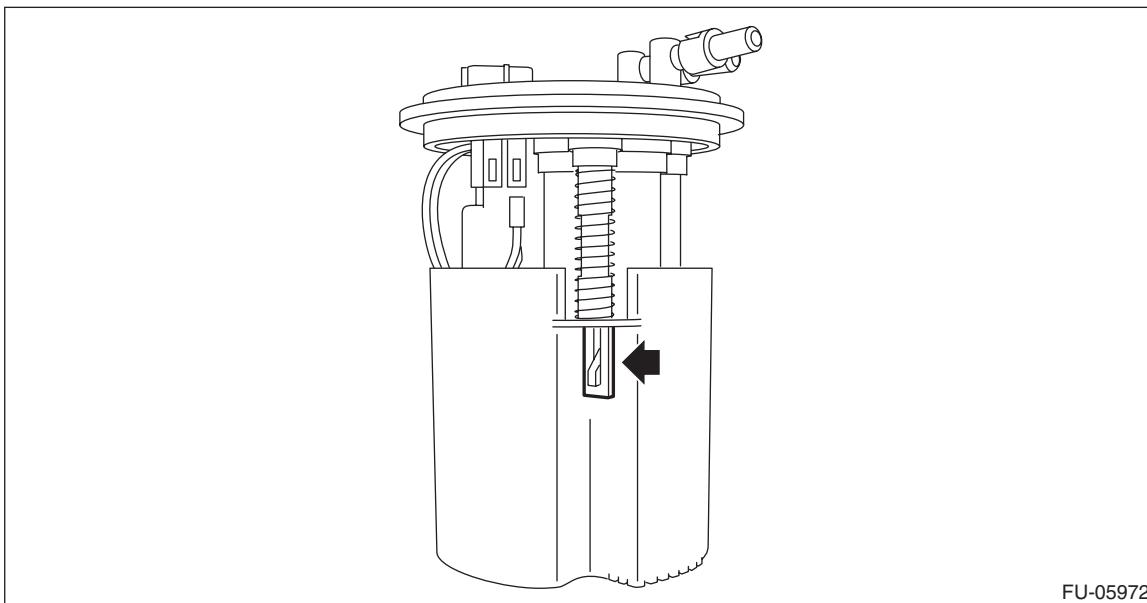
- 1) Remove the fuel pump assembly. <Ref. to FU(H4DO)-139, REMOVAL, Fuel Pump.>
- 2) Remove the fuel level sensor. <Ref. to FU(H4DO)-144, REMOVAL, Fuel Level Sensor.>
- 3) Disconnect the fuel pump connector (A).



Fuel Filter

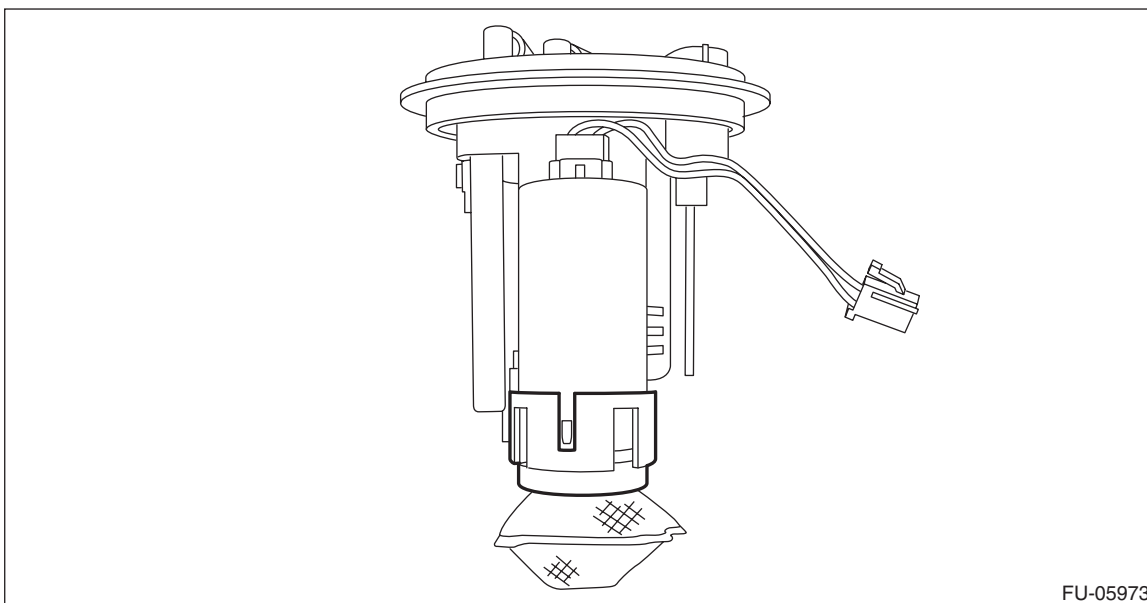
FUEL INJECTION (FUEL SYSTEMS)

- 4) Remove the claw connecting the fuel filter assembly and fuel chamber assembly in order to separate the fuel filter assembly and fuel chamber assembly.



FU-05972

- 5) Remove the fuel pump holder from the fuel filter assembly.

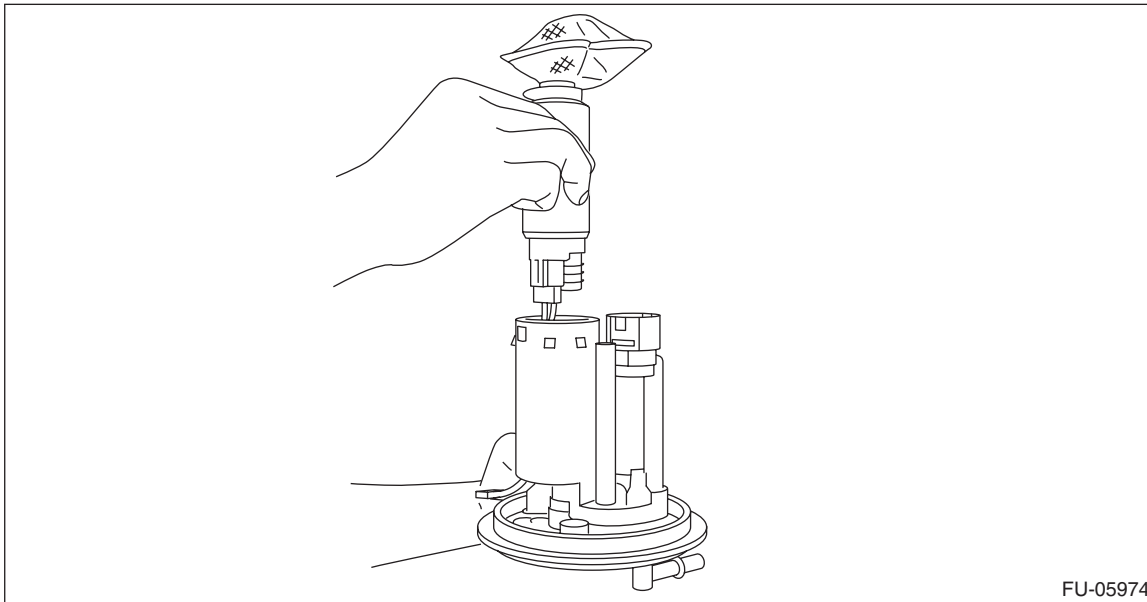


FU-05973

Fuel Filter

FUEL INJECTION (FUEL SYSTEMS)

6) Remove the fuel pump from the fuel filter assembly.



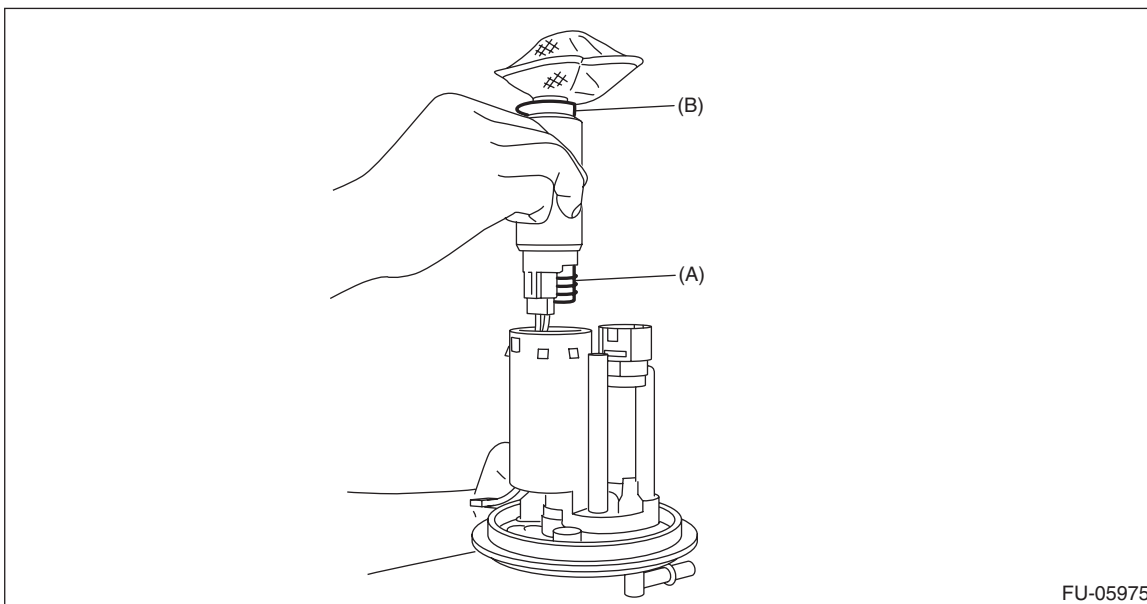
FU-05974

B: INSTALLATION

1) Assemble the packing spacer (A) and support rubber cushion (B) to the fuel pump, and install the fuel pump to the fuel filter assembly.

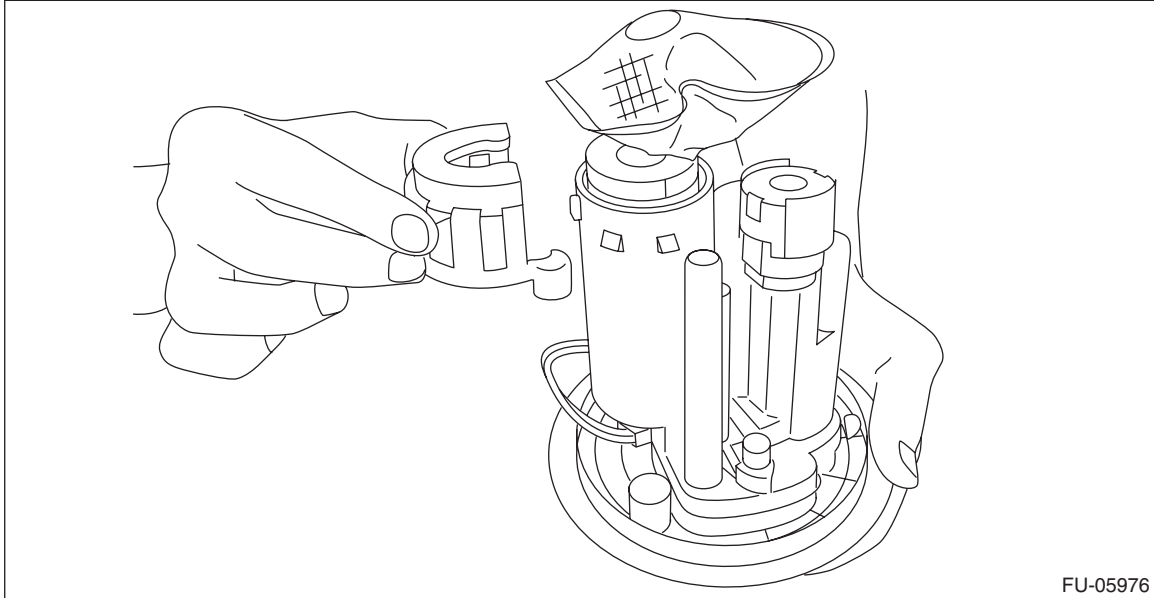
NOTE:

- Use a new packing spacer.
- Use a new support rubber cushion.
- Apply gasoline to the surface of packing spacer and support rubber cushion.



FU-05975

2) Install the fuel pump holder to the fuel filter assembly.



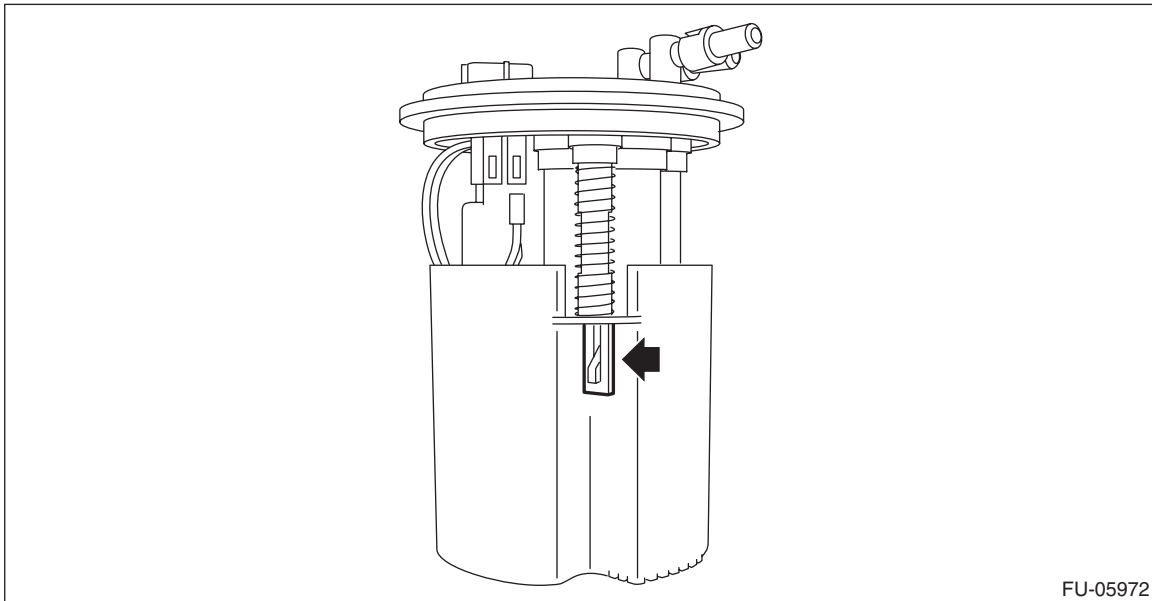
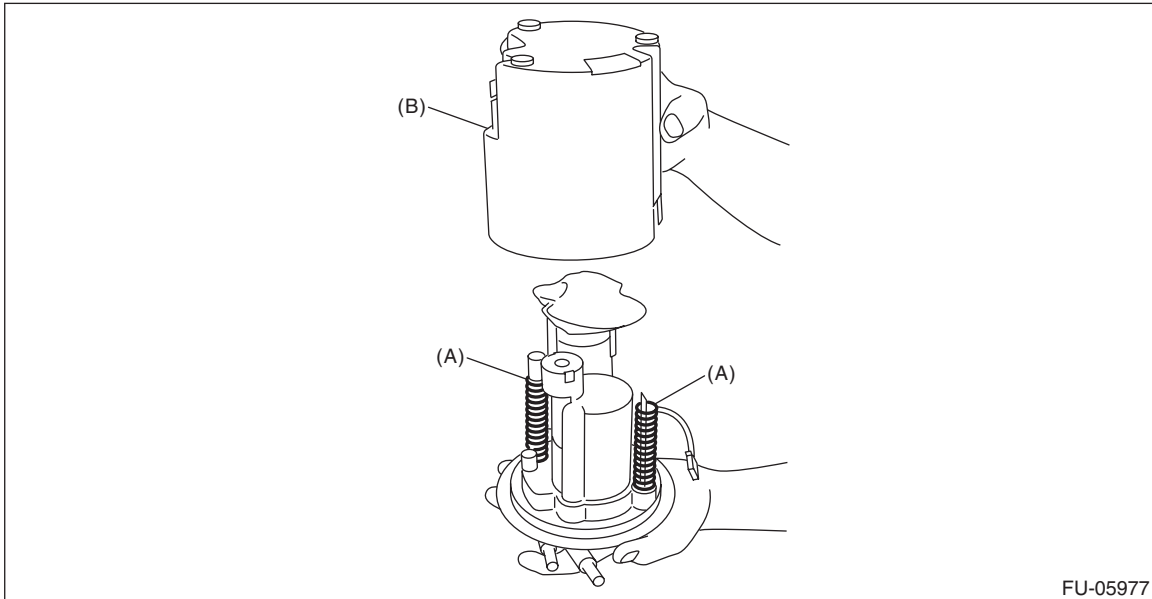
Fuel Filter

FUEL INJECTION (FUEL SYSTEMS)

3) Install the pump module spring (A) to fuel filter assembly, and install the fuel chamber assembly (B).

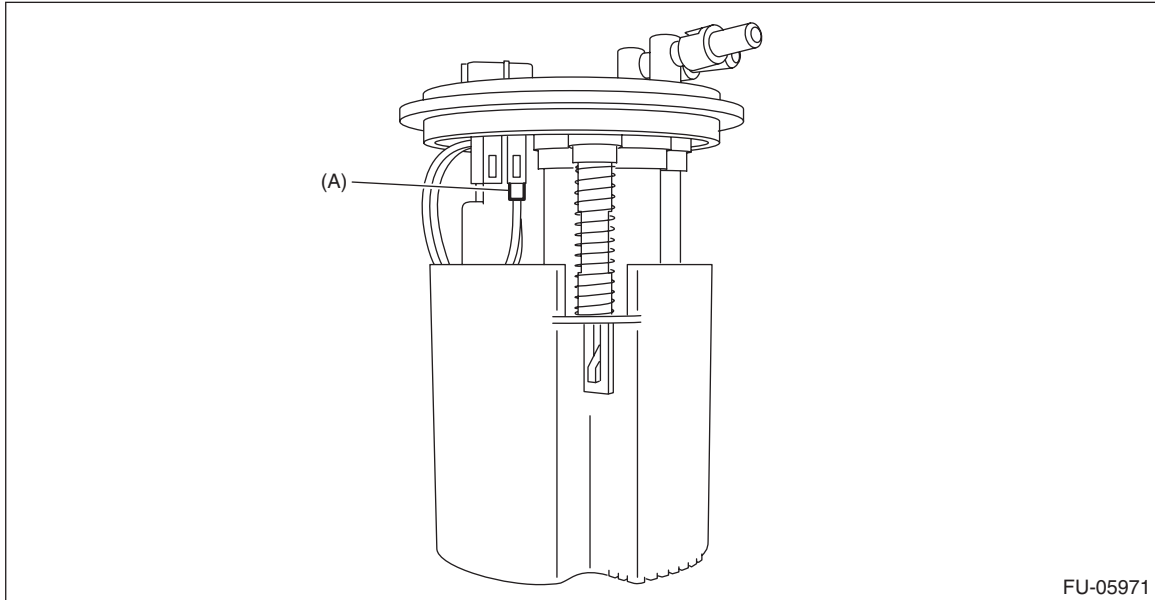
NOTE:

- Use a new fuel chamber assembly.
- Check that the claw connecting the fuel filter assembly and fuel chamber assembly is securely fastened.



Fuel Filter

4) Connect the connector (A) of fuel pump.



FU-05971

- 5) Install the fuel level sensor. <Ref. to FU(H4DO)-145, INSTALLATION, Fuel Level Sensor.>
- 6) Inspect the fuel level sensor. <Ref. to FU(H4DO)-145, INSPECTION, Fuel Level Sensor.>
- 7) Install the fuel pump assembly. <Ref. to FU(H4DO)-142, INSTALLATION, Fuel Pump.>