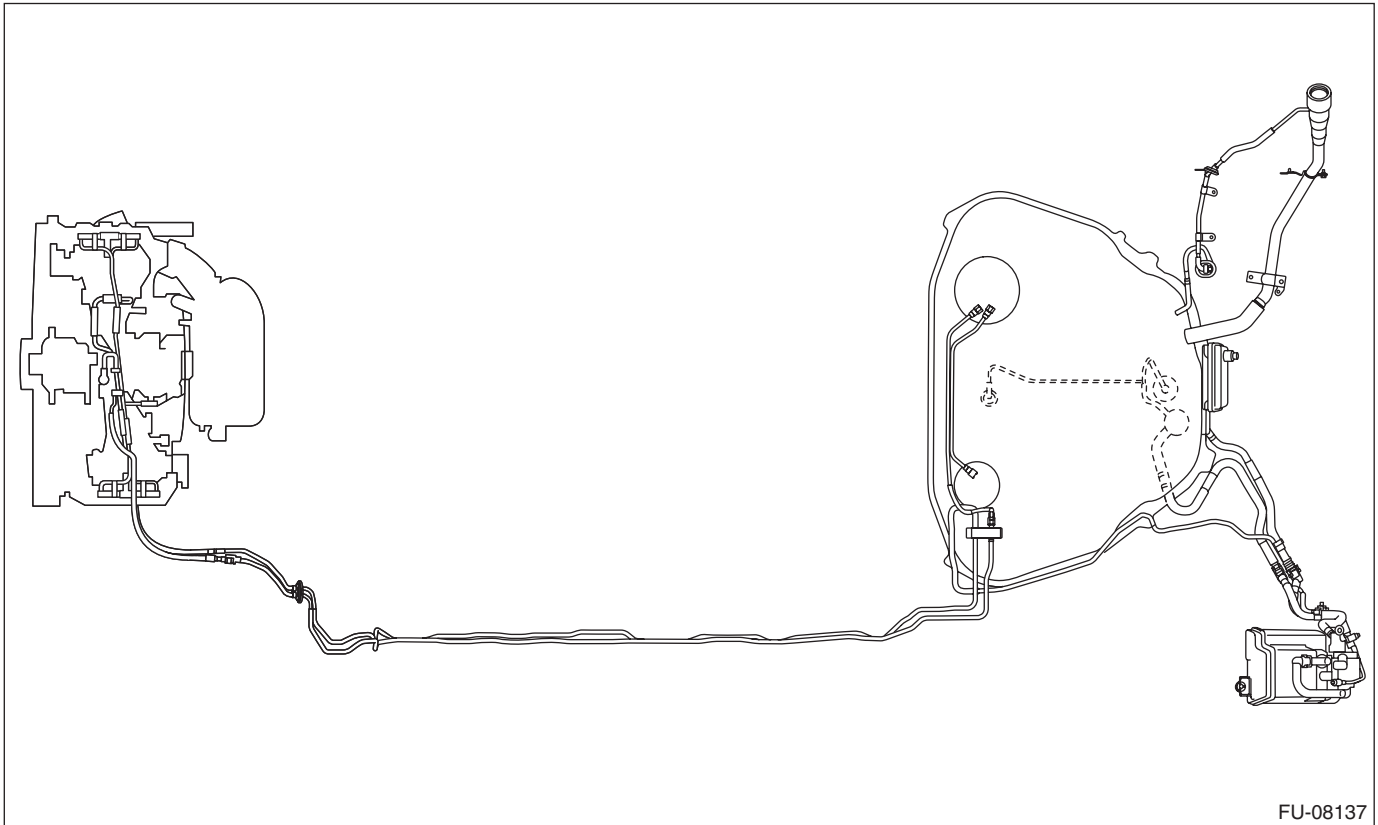


Fuel Delivery and Evaporation Lines

FUEL INJECTION (FUEL SYSTEMS)

32. Fuel Delivery and Evaporation Lines

A: REMOVAL



WARNING:

Place “NO OPEN FLAMES” signs near the working area.

CAUTION:

Be careful not to spill fuel.

- 1) Release the fuel pressure. <Ref. to FU(H4DO)-109, RELEASING OF FUEL PRESSURE, PROCEDURE, Fuel.>
- 2) Open the fuel filler lid and remove the fuel filler cap.
- 3) Remove the floor mat. <Ref. to EI-168, REMOVAL, Floor Mat.>

Fuel Delivery and Evaporation Lines

FUEL INJECTION (FUEL SYSTEMS)

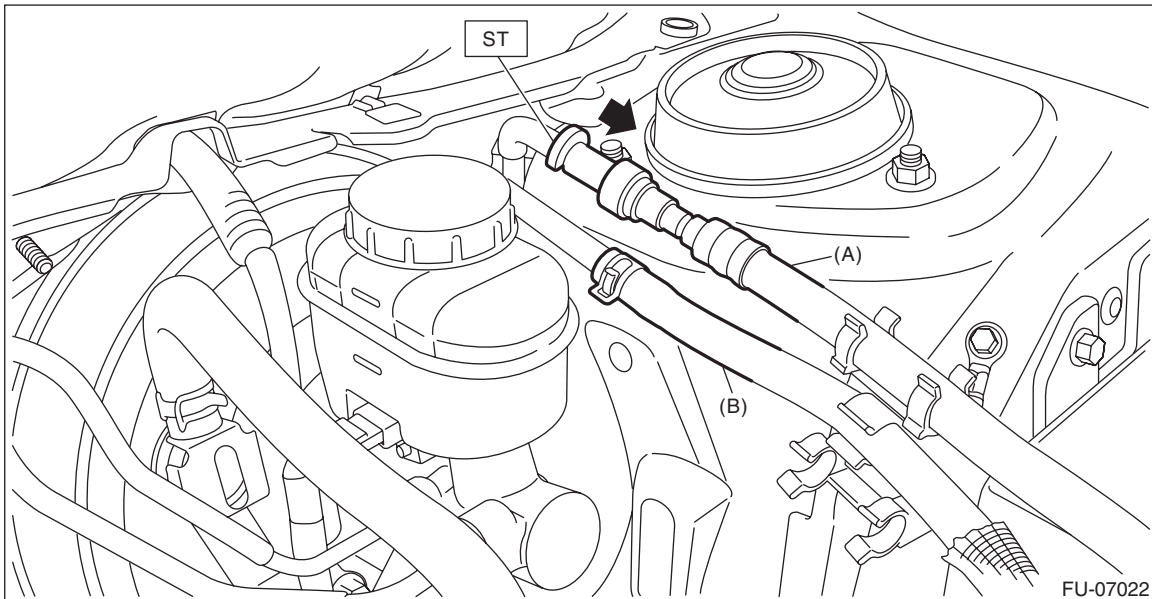
4) In the engine compartment, disconnect the fuel delivery hoses (A) and evaporation hose (B).

CAUTION:

- **Be careful not to spill fuel.**
- **Catch the fuel from hoses using a container or cloth.**
 - (1) Remove the connect check cover from the fuel delivery hose.
 - (2) Set the ST to the fuel pipe.

ST 42099AE000 QUICK CONNECTOR RELEASE

- (3) Disconnect the quick connector of the fuel delivery hose (A) by pushing the ST in the direction of the arrow.
- (4) Remove the clip and disconnect the evaporation hose (B) from the fuel pipe.



- 5) Remove the fuel tank. <Ref. to FU(H4DO)-112, REMOVAL, Fuel Tank.>
- 6) Remove the rear mud guard LH. <Ref. to EI-36, REMOVAL, Mud Guard.>

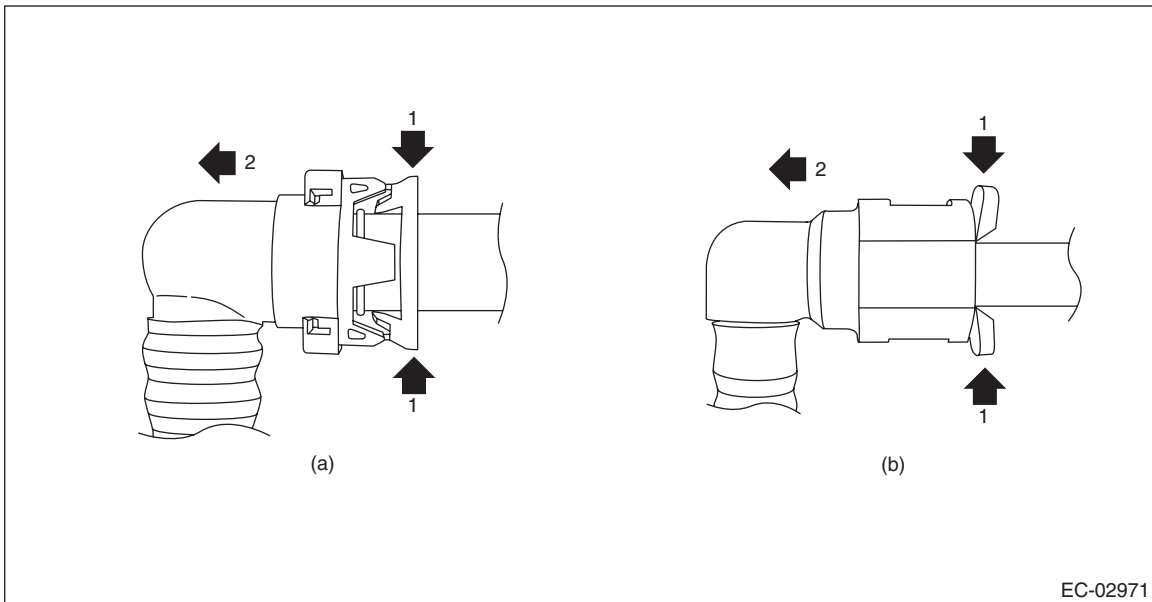
Fuel Delivery and Evaporation Lines

FUEL INJECTION (FUEL SYSTEMS)

7) Remove the purge hose (A), purge pipe (B), air vent hose (C) and drain tube assembly (D).

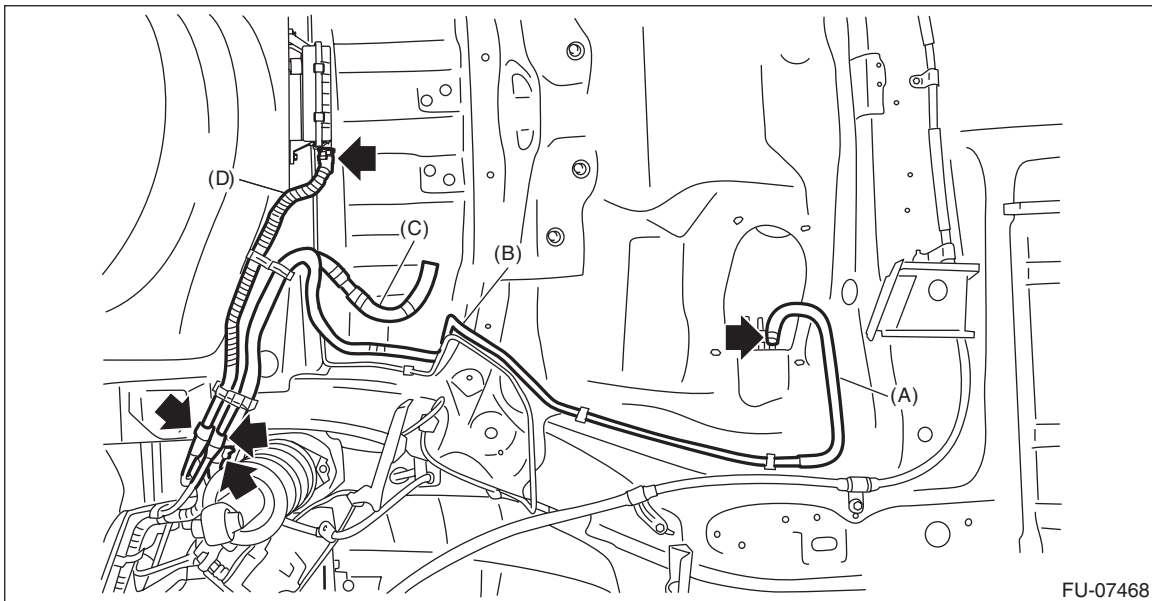
NOTE:

Disconnect the quick connector as shown in the figure.



(a) Air vent hose (C), drain tube ASSY (D)

(b) Purge pipe (B)



8) Remove the fuel pipe assembly from vehicle.

9) Disconnect the quick connector, and remove the fuel delivery tube and fuel sub delivery tube from the fuel tank.

Fuel Delivery and Evaporation Lines

FUEL INJECTION (FUEL SYSTEMS)

- When using ST

1. Attach ST to the pipe and push ST in the direction of arrow mark to disconnect the quick connector.

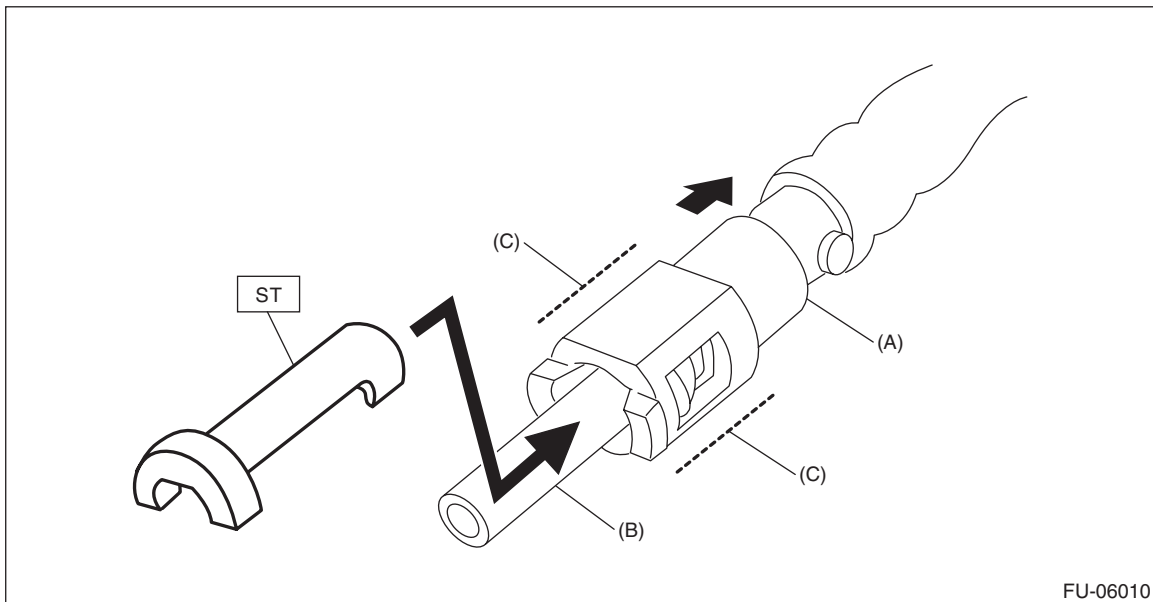
ST 42099AE000 QUICK CONNECTOR RELEASE

CAUTION:

- Be careful not to spill fuel.
- Catch the fuel from hoses using a container or cloth.
- To disconnect the connector, hold (C) shown in the figure and pull in axial direction.
- If the connector and pipe are sticking to each other, push and pull the connector with ST pushed, and then pull the connector after it starts moving freely.
- When disconnecting the connector, do not bend or twist the tube forcibly. If the tube is bent, replace with a new part.

NOTE:

Clean the pipe and quick connector, if they are covered with dust.



(A) Quick connector

(B) Pipe

(C) Connector holding position

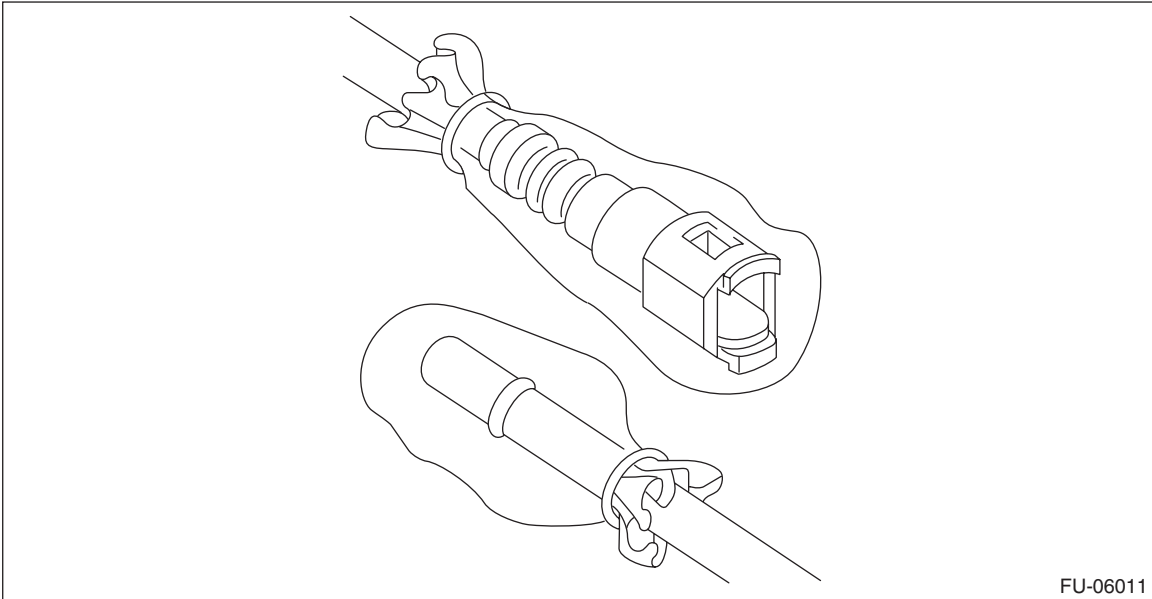
Fuel Delivery and Evaporation Lines

FUEL INJECTION (FUEL SYSTEMS)

2. To prevent from damaging or entering foreign matter, wrap the pipes and quick connectors with plastic bag etc.

CAUTION:

When reusing the retainer, do not disconnect the retainer from the connector.



FU-06011

Fuel Delivery and Evaporation Lines

FUEL INJECTION (FUEL SYSTEMS)

- When not using ST

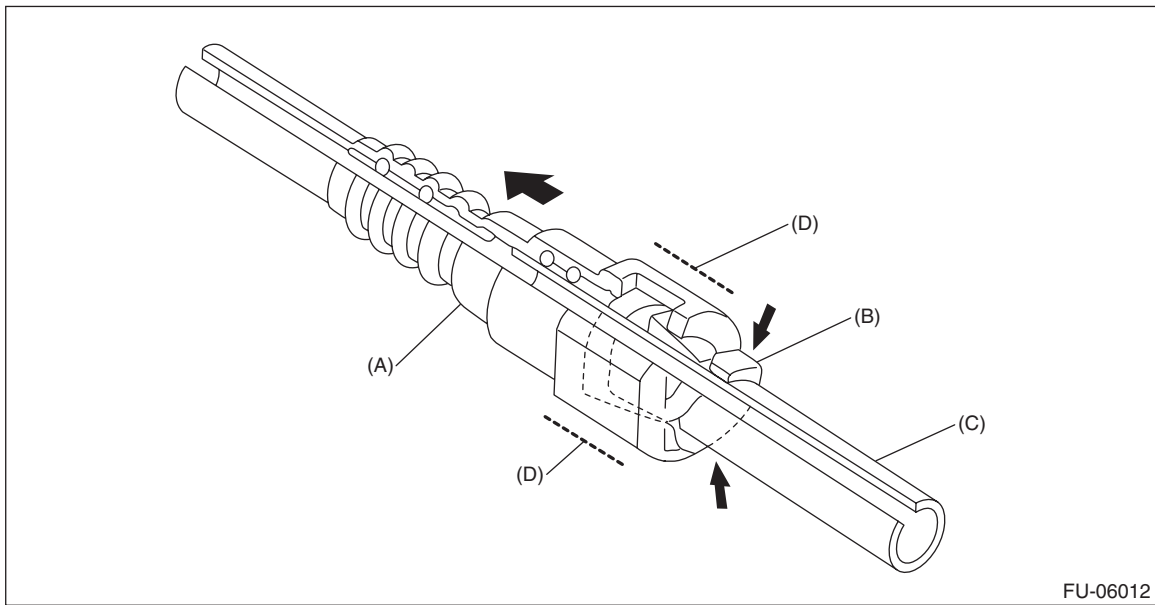
1. Push the retainer in the direction of the arrow, disconnect the quick connector from pipe.

CAUTION:

- Be careful not to spill fuel.
- Catch the fuel from hoses using a container or cloth.
- To disconnect the connector, hold (D) shown in the figure and pull in axial direction.
- If the connector and pipe are sticking to each other, push and pull the connector with the retainer pushed in the direction of the arrow, and then pull the connector after it starts moving freely.
- When disconnecting the connector, do not bend or twist the tube forcibly. If the tube is bent, replace with a new part.

NOTE:

Clean the pipe and quick connector, if they are covered with dust.



(A) Quick connector

(C) Pipe

(D) Connector holding position

(B) Retainer

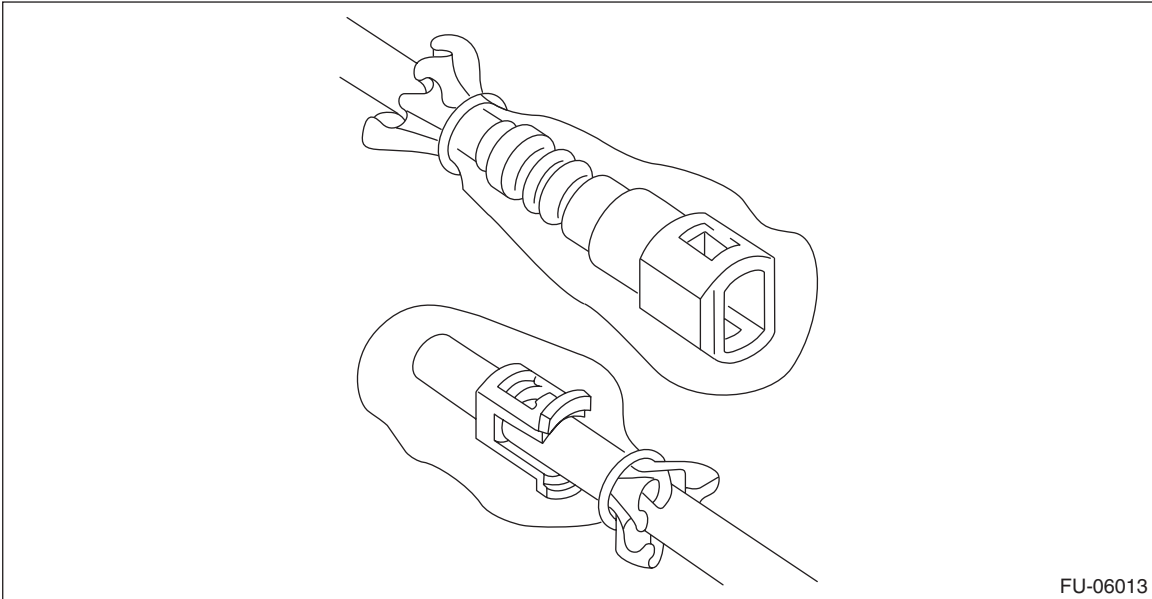
Fuel Delivery and Evaporation Lines

FUEL INJECTION (FUEL SYSTEMS)

2. To prevent from damaging or entering foreign matter, wrap the pipes and quick connectors with plastic bag etc.

CAUTION:

When reusing the retainer, do not disconnect the retainer from the pipe.

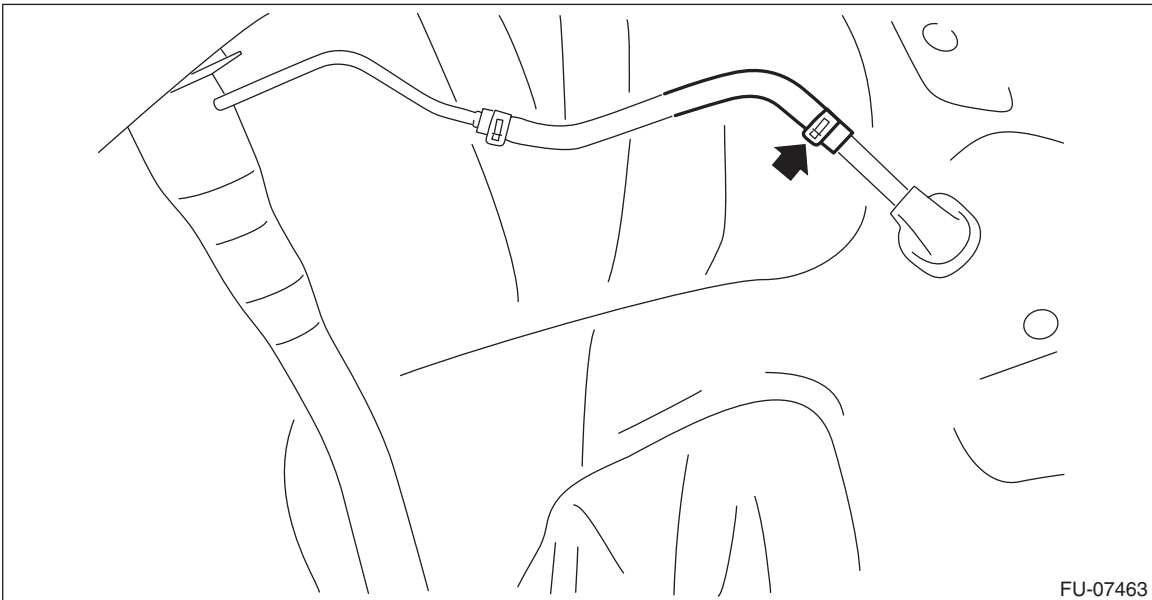


FU-06013

10) Remove the evaporation pipe.

(1) Remove the rear mud guard RH. <Ref. to EI-36, REMOVAL, Mud Guard.>

(2) Remove the evaporation hose.



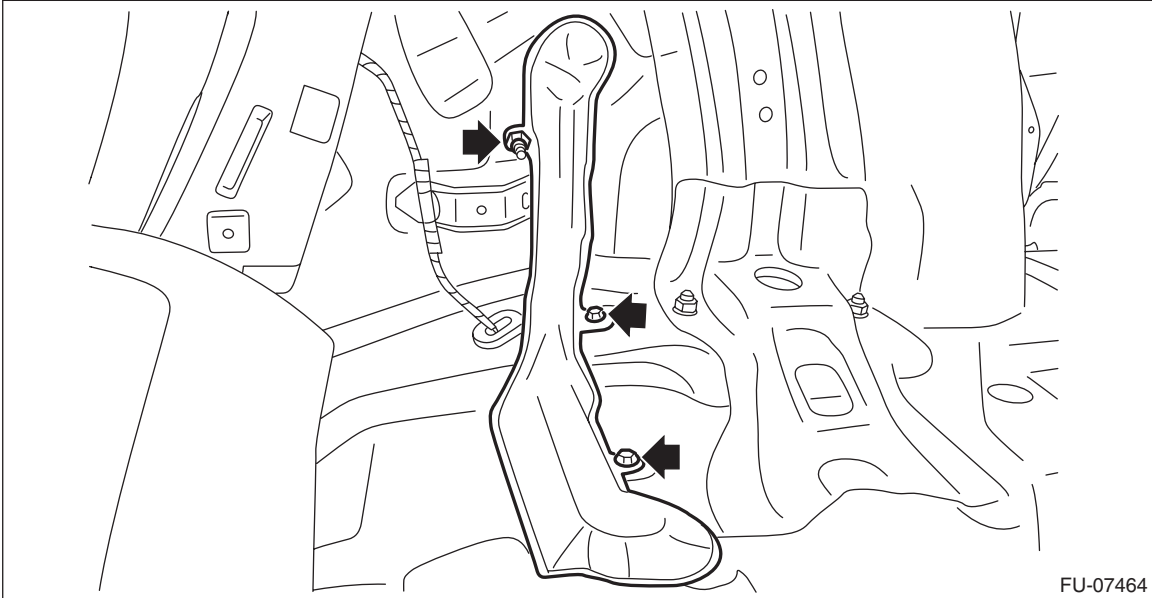
FU-07463

(3) Remove the trunk side trim panel assembly - side on the RH side. <Ref. to EI-111, REMOVAL, Rear Quarter Trim.>

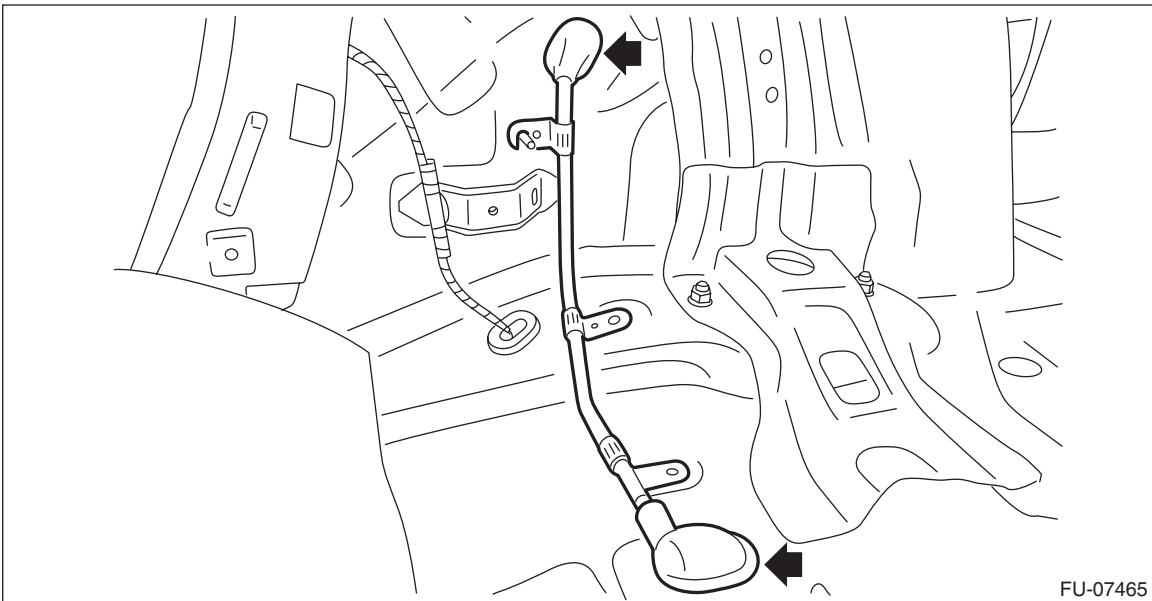
Fuel Delivery and Evaporation Lines

FUEL INJECTION (FUEL SYSTEMS)

(4) Remove the evaporation pipe protector.



(5) Remove the evaporation pipe from vehicle.



Fuel Delivery and Evaporation Lines

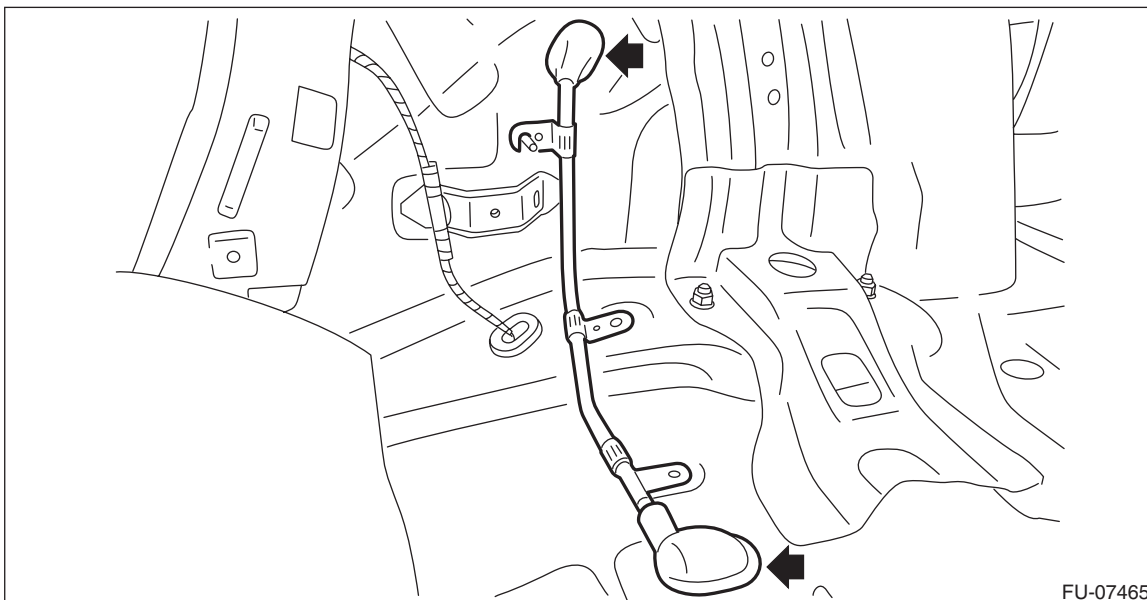
FUEL INJECTION (FUEL SYSTEMS)

B: INSTALLATION

Install in the reverse order of removal while being careful of the following.

1. EVAPORATION PIPE INSTALLATION

1) Install the evaporation pipe to the vehicle.



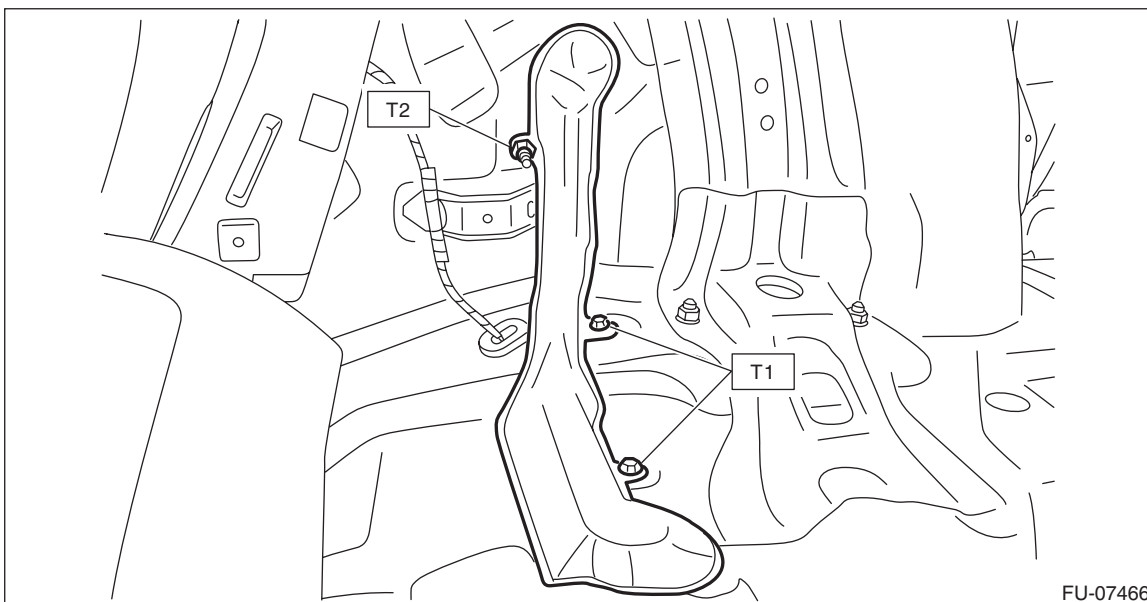
FU-07465

2) Install the evaporation pipe protector.

Tightening torque:

T1: 1 N·m (0.1 kgf-m, 0.7 ft-lb)

T2: 7.5 N·m (0.7 kgf-m, 5.4 ft-lb)



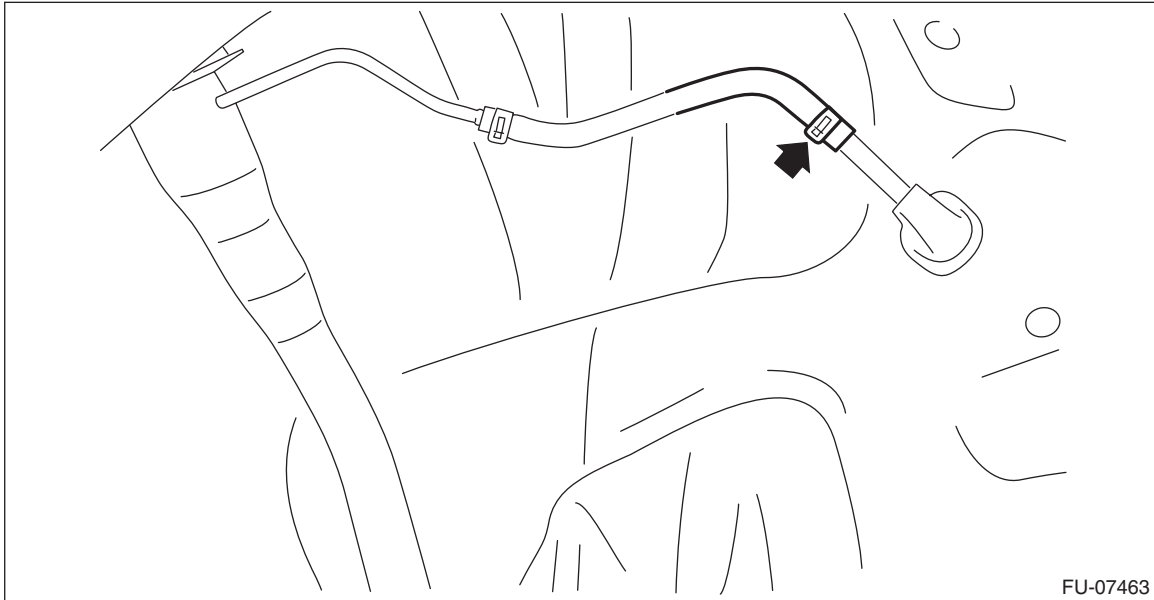
FU-07466

3) Install the trunk side trim panel assembly - side on RH side. <Ref. to EI-122, INSTALLATION, Rear Quarter Trim.>

Fuel Delivery and Evaporation Lines

FUEL INJECTION (FUEL SYSTEMS)

4) Install the evaporation hose.

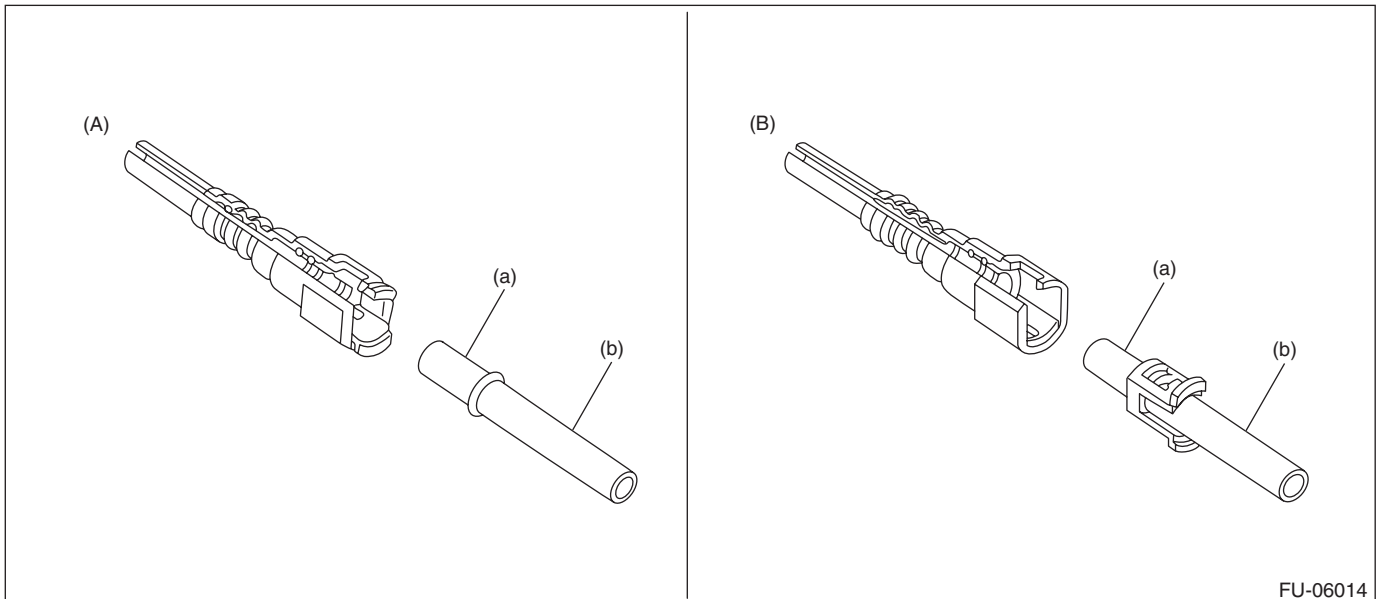


5) Install the rear mud guard RH. <Ref. to EI-36, INSTALLATION, Mud Guard.>

2. CONNECTING THE FUEL LINE QUICK CONNECTOR

CAUTION:

- Make sure there are no damage or dust on connections. If necessary, clean seal surface of pipe.



- | | |
|---------------------------------------|------------------|
| (A) When removed using the ST | (a) Seal surface |
| (B) When removed without using the ST | (b) Pipe |

- When reusing the retainer, make sure that neither scratches nor deformation exist on the retainer. If it is faulty, use a new part.

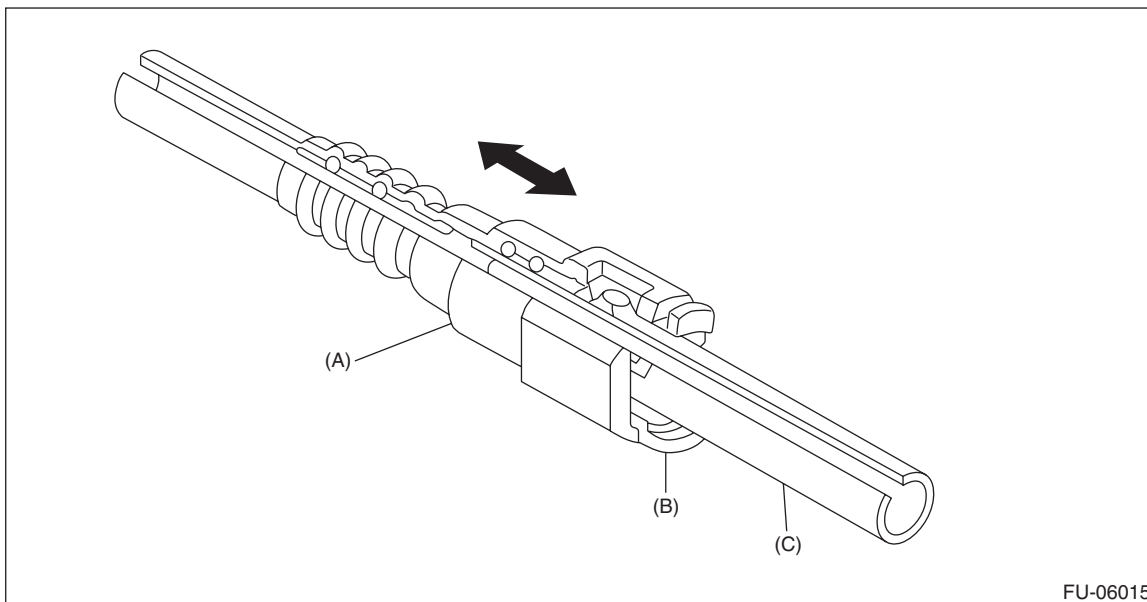
Fuel Delivery and Evaporation Lines

FUEL INJECTION (FUEL SYSTEMS)

1) Connect the quick connector to pipe.

CAUTION:

- Make sure that the quick connector is securely connected.



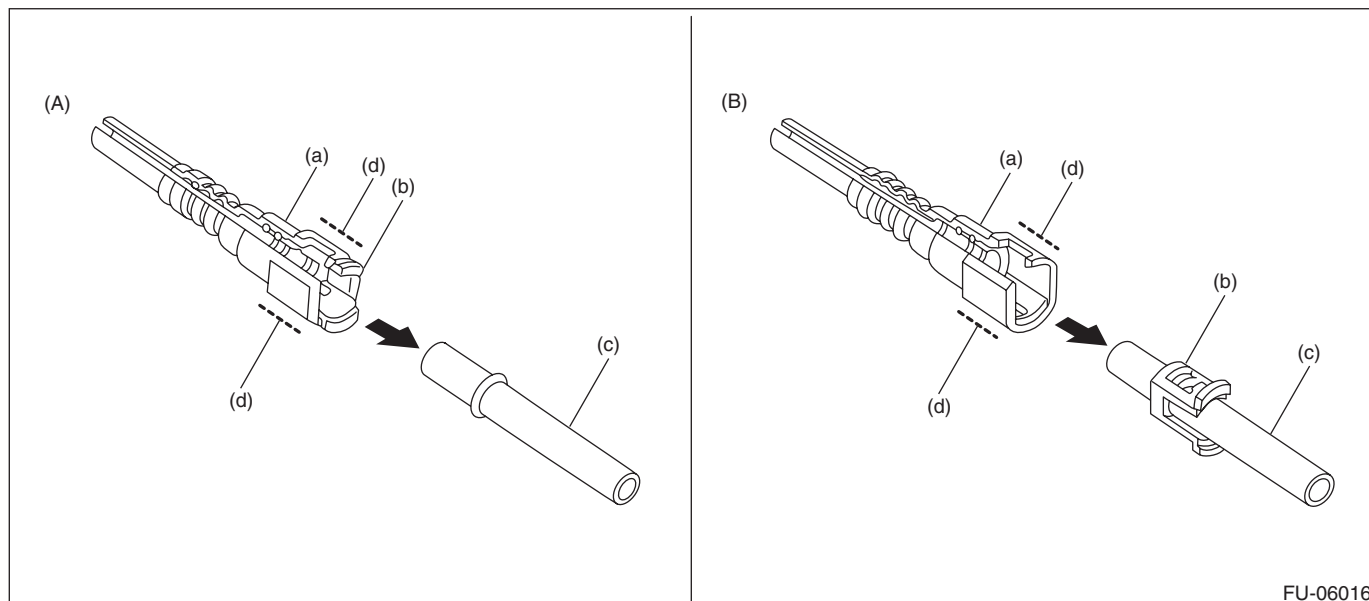
FU-06015

(A) Quick connector

(B) Retainer

(C) Pipe

- Make sure the two retainer pawls are engaged in their mating positions in the quick connector.
- Be sure to inspect tubes and their connections for any leakage of fuel.
- To connect the connector, hold (d) shown in the figure and push in axial direction.
- When connecting the connector, do not bend or twist the tube forcibly. If the tube is bent, replace with a new part.



FU-06016

(A) When removed using the ST

(a) Quick connector

(c) Pipe

(B) When removed without using the ST

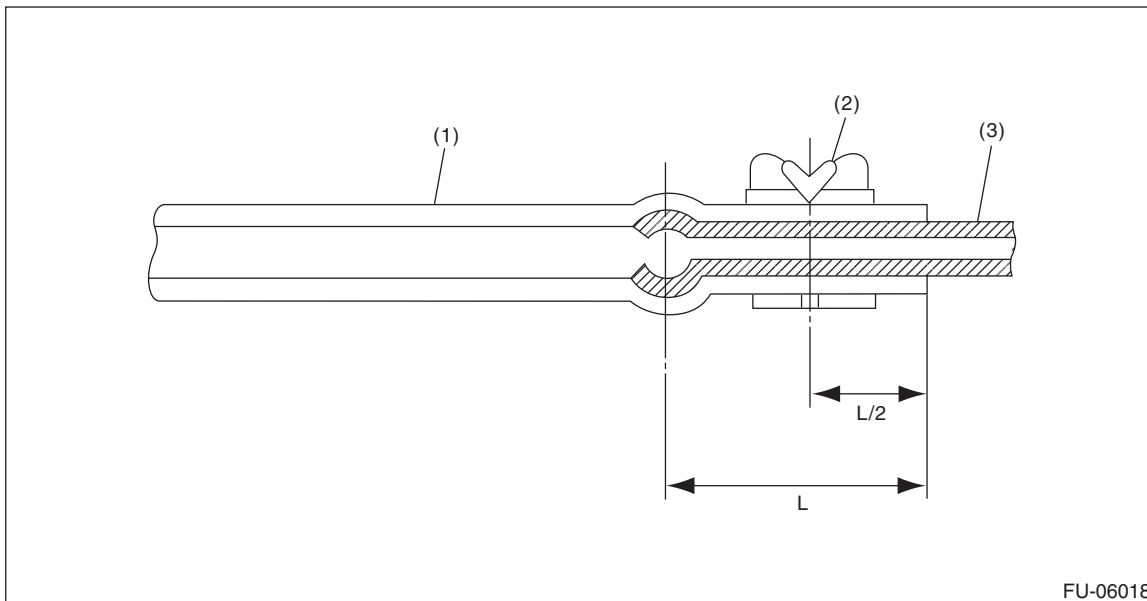
(b) Retainer

(d) Connector holding position

3. EVAPORATION HOSE CONNECTION

Connect the evaporation hose to the pipe with an overlap of 15 to 20 mm (0.59 to 0.79 in).

$L = 17.5 \pm 2.5 \text{ mm } (0.689 \pm 0.098 \text{ in})$



(1) Hose

(2) Clip

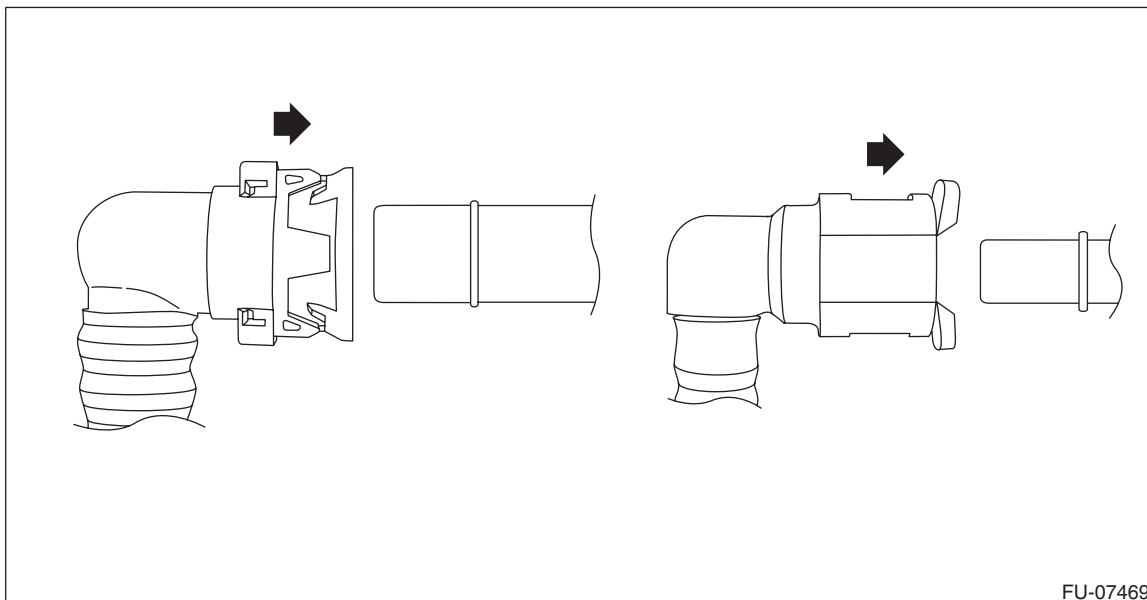
(3) Pipe

4. CONNECTING THE EVAPORATION LINE QUICK CONNECTOR

CAUTION:

- Make sure there are no damage or dust on connections. If necessary, clean the seal surface of the pipe.
- Make sure that the quick connector is securely connected.

Connect the quick connector as shown in the figure.



C: INSPECTION

- 1) Check that the fuel pipe has no deformation, cracks or other damages.
- 2) Check that the hose and tube have no cracks, damage or loose part.