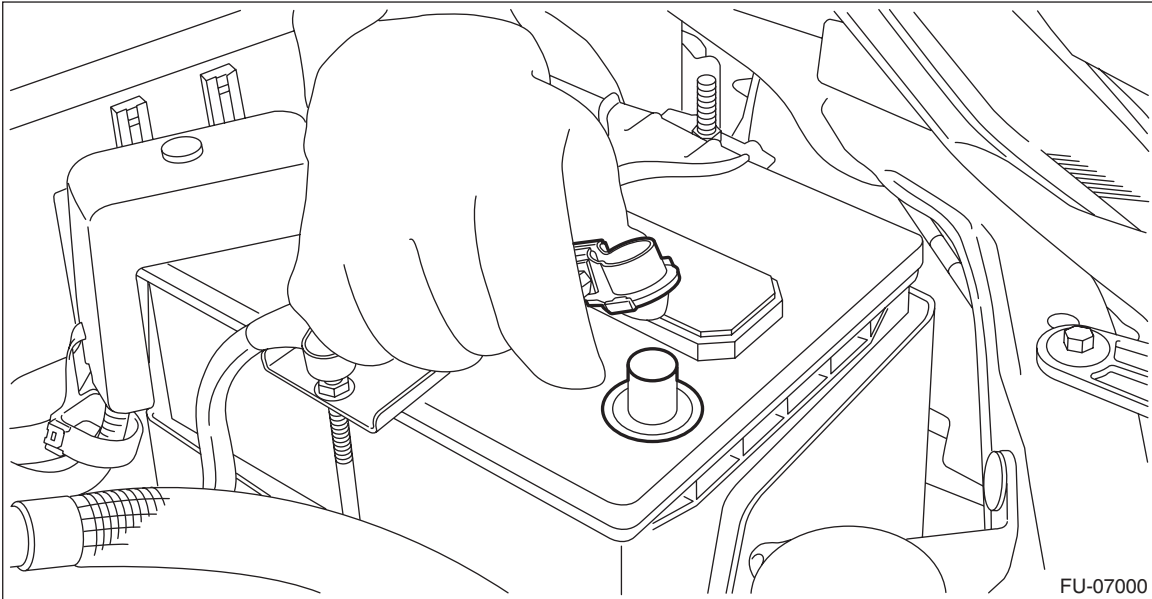


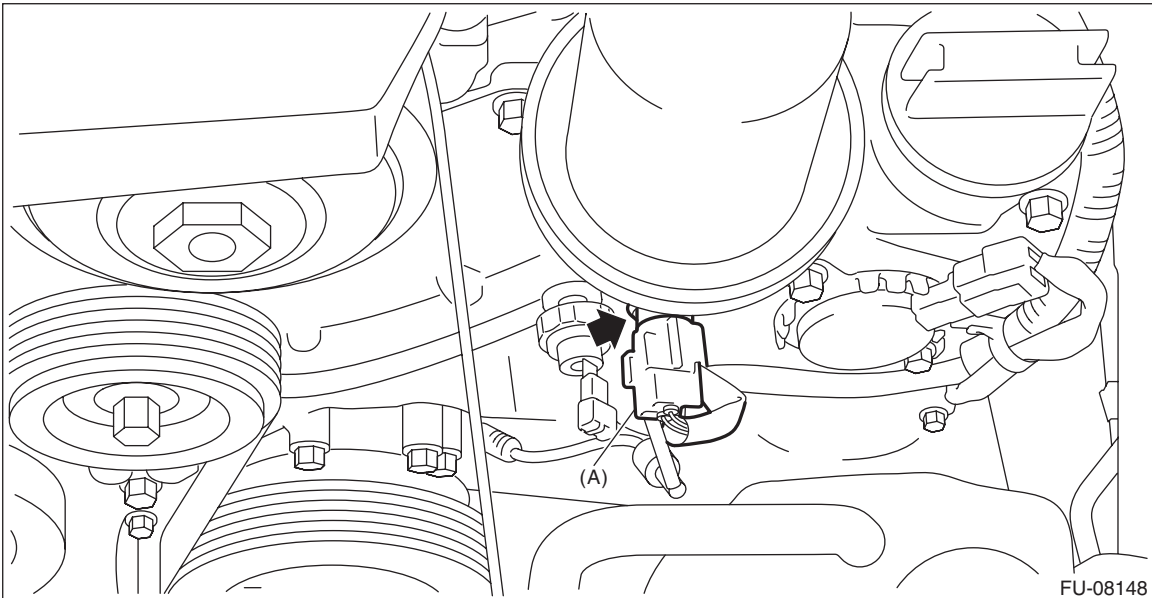
## 6. Engine Oil Temperature Sensor

### A: REMOVAL

1) Disconnect the ground cable from battery.



2) Disconnect the connector (A) from the engine oil temperature sensor, and remove the engine coolant temperature sensor from the chain cover.



### B: INSTALLATION

Install in the reverse order of removal.

NOTE:

Use a new gasket.

**Tightening torque:**

**18 N·m (1.8 kgf·m, 13.3 ft·lb)**

# Engine Oil Temperature Sensor

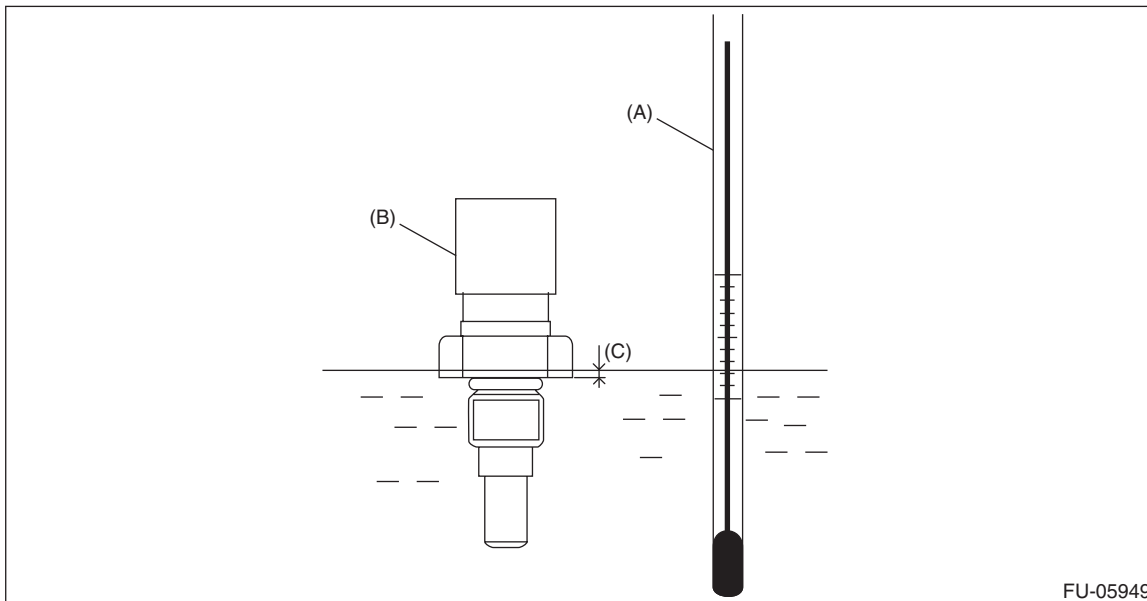
FUEL INJECTION (FUEL SYSTEMS)

## C: INSPECTION

- 1) Check that the engine oil temperature sensor has no deformation, cracks or other damages.
- 2) Immerse the engine oil temperature sensor and a thermometer in water.

### CAUTION:

Take care not to allow water to get into the engine oil temperature sensor connector. Completely remove any water inside.



(A) Thermometer

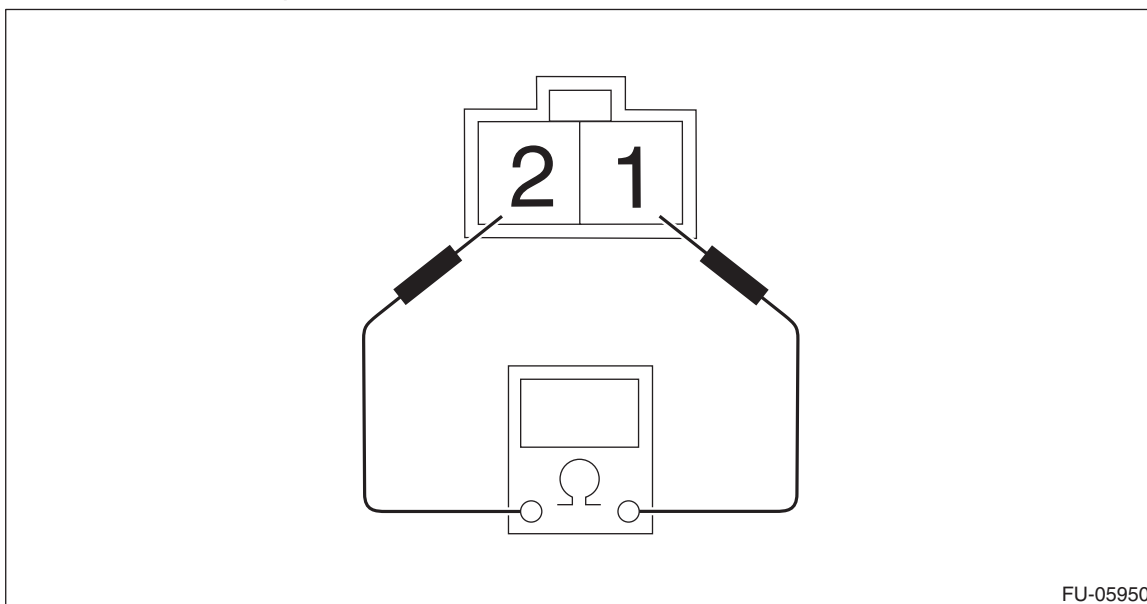
(B) Engine oil temperature sensor

(C) Hexagonal part height:  
To approx.  $\frac{1}{3}$

- 3) Raise water temperature gradually, measure the resistance between the engine oil temperature sensor terminals when the temperature is 20°C (68°F) and 80°C (176°F).

### NOTE:

Agitate the water for even temperature distribution.



FU-05950

Water temperature	Terminal No.	Standard
20°C (68°F)	1 and 2	Approx. 2.45±0.2 kΩ
80°C (176°F)		Approx. 0.318±0.013 kΩ