

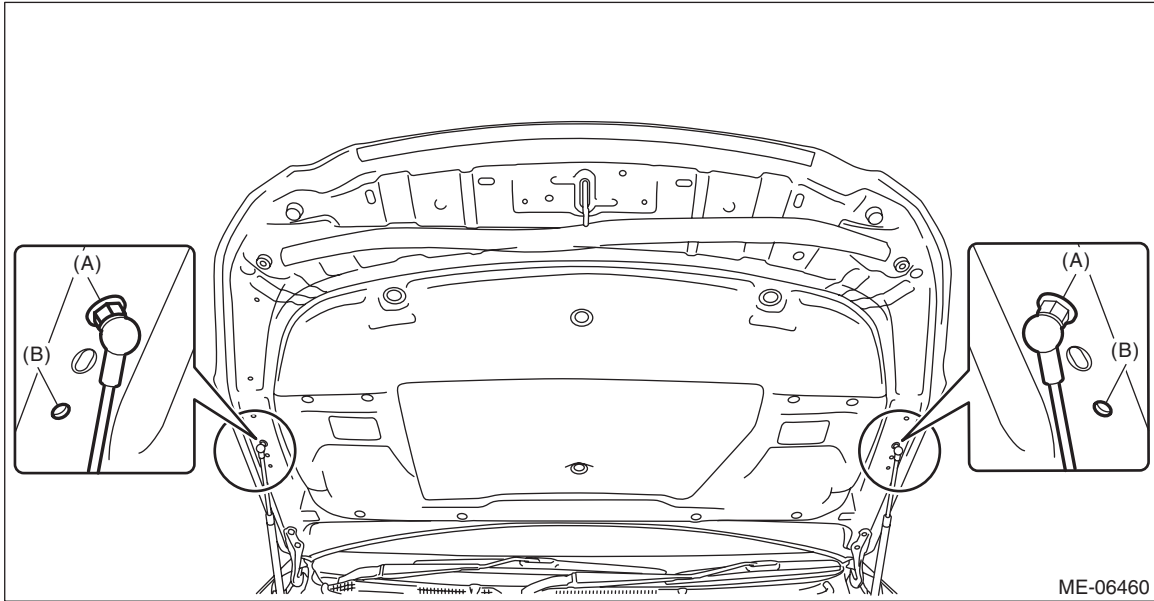
10.Engine Mounting

A: REMOVAL

1) Change the front hood damper mounting position from (A) to (B), and completely open the front hood.

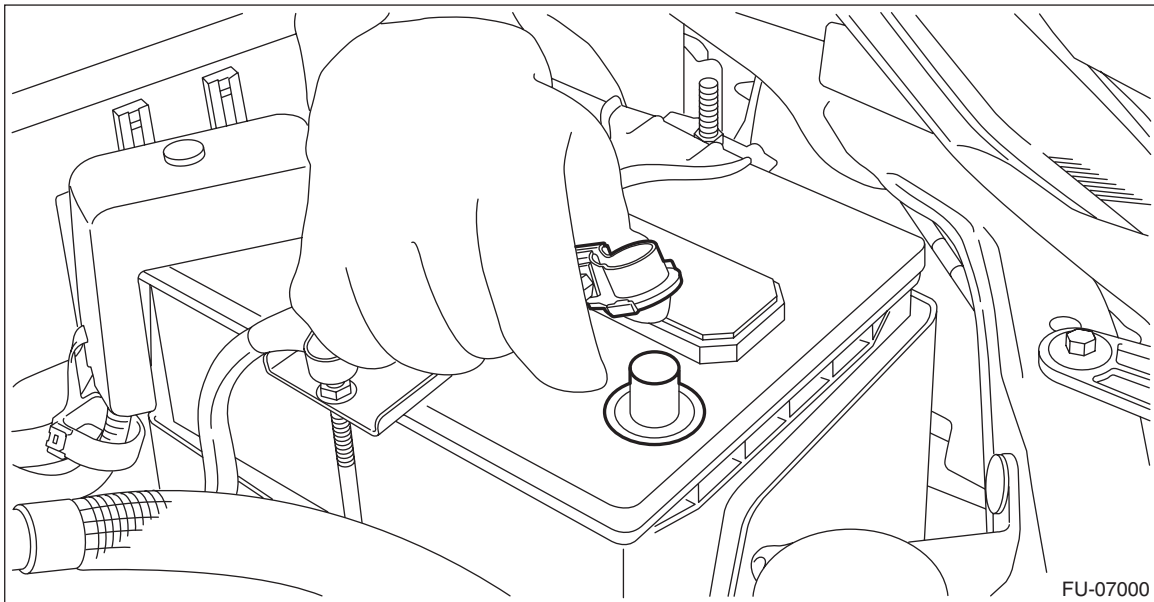
Tightening torque:

20 N·m (2.0 kgf·m, 14.8 ft·lb)



ME-06460

2) Disconnect the ground cable from battery.



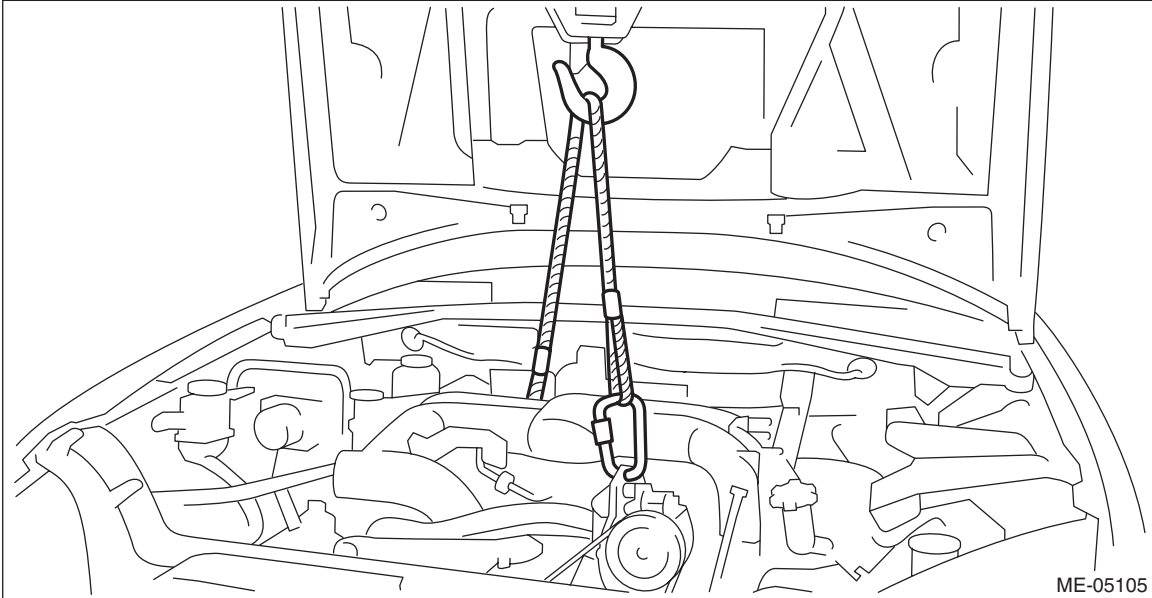
FU-07000

3) Remove the radiator main fan motor assembly and radiator sub fan motor assembly. <Ref. to CO(H4DO)-37, REMOVAL, Radiator Main Fan and Fan Motor.> <Ref. to CO(H4DO)-40, REMOVAL, Radiator Sub Fan and Fan Motor.>

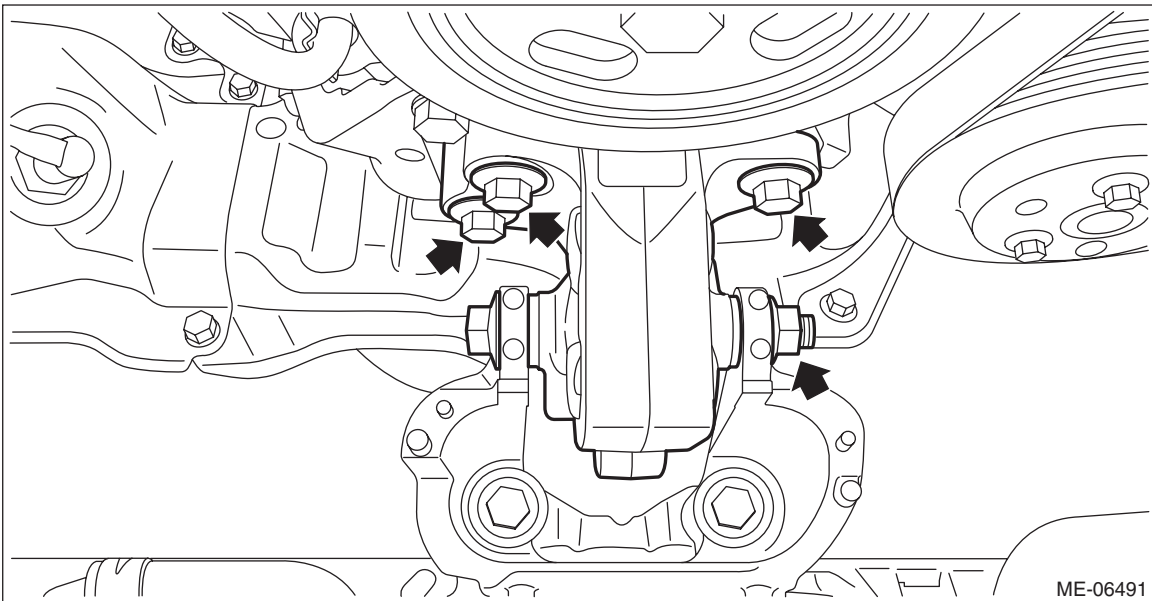
Engine Mounting

MECHANICAL

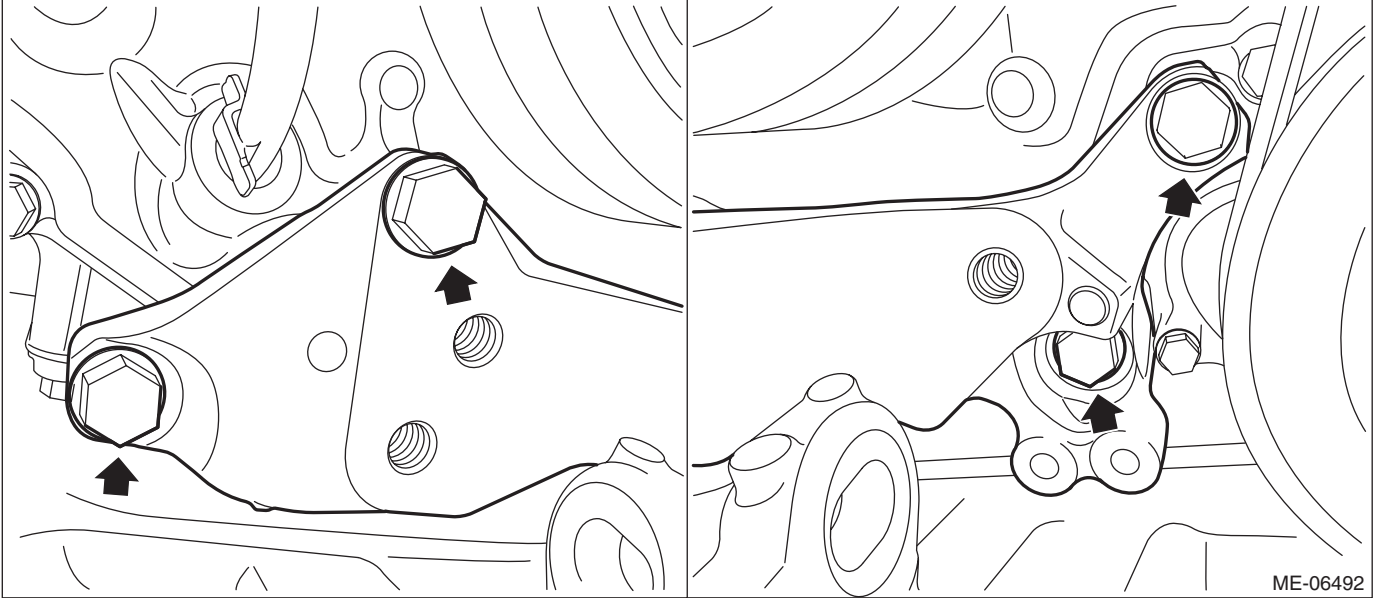
- 4) Support the engine with a lifting device and wire ropes.



- 5) Remove the front cushion rubber from the front mounting bracket and engine mounting bracket.



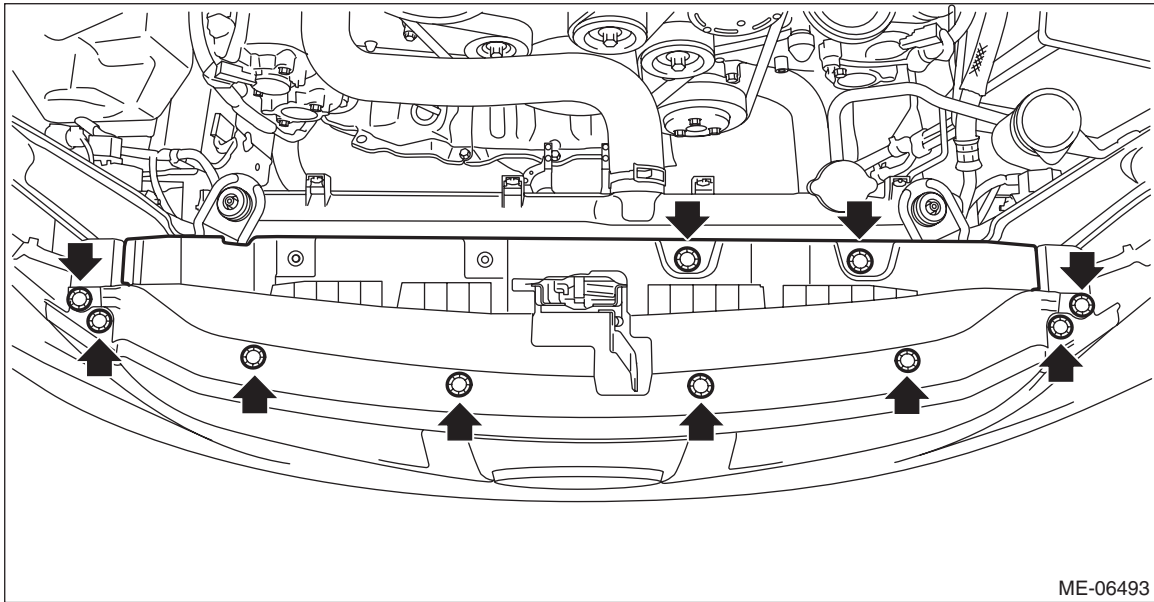
6) Remove the engine mounting bracket from the engine assembly.



7) Remove the grille bracket.

NOTE:

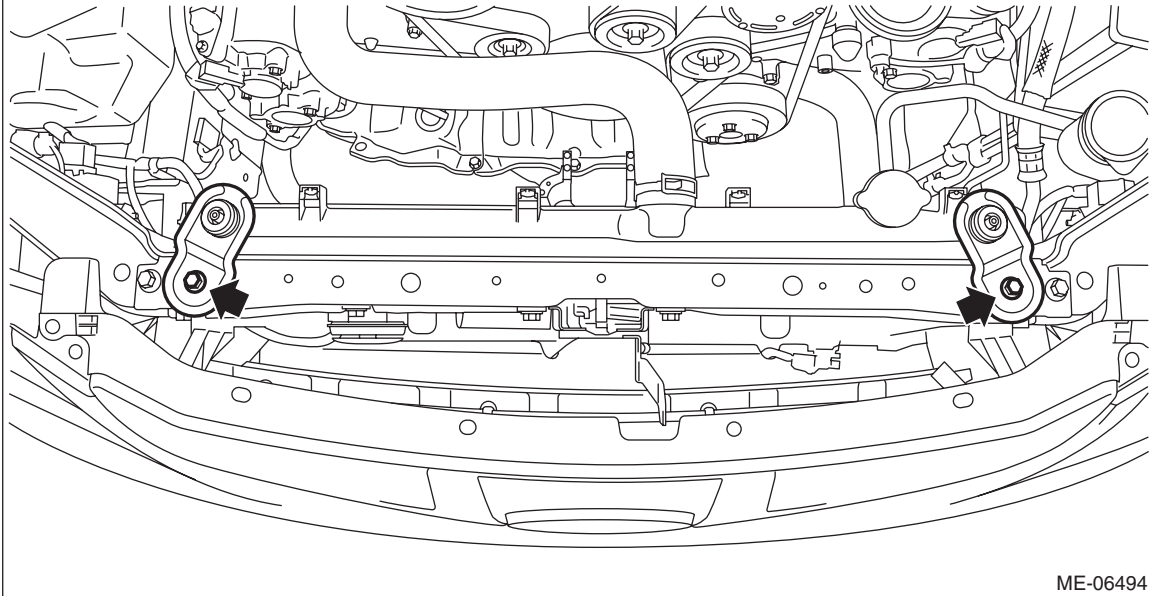
Remove ten clips when removing the grille bracket.



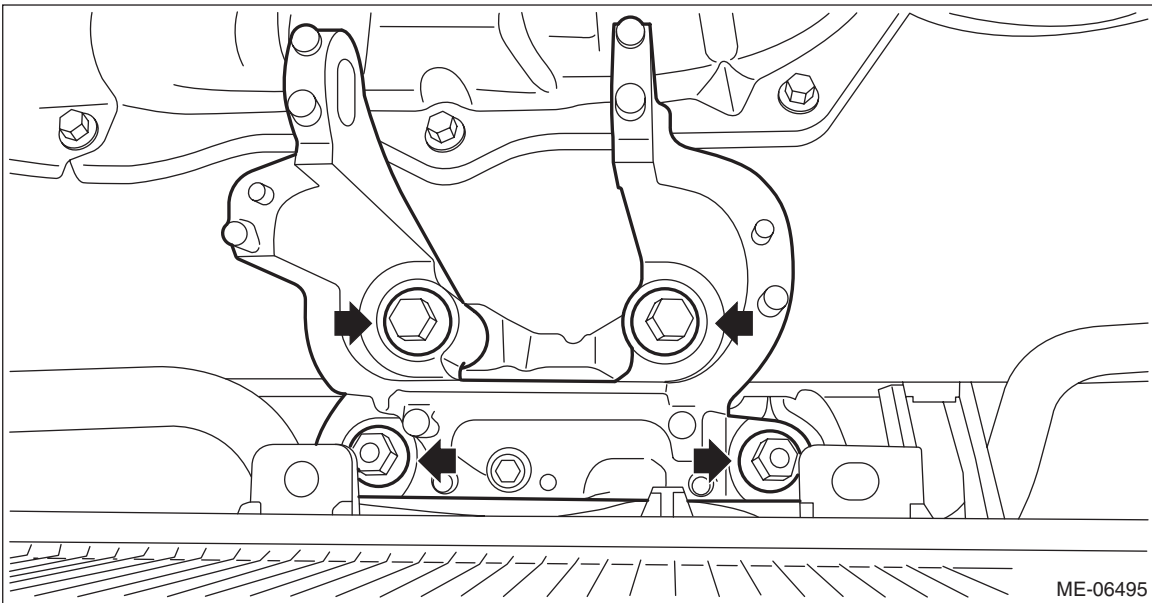
Engine Mounting

MECHANICAL

8) Remove the radiator upper brackets.



9) Slide the radiator to the right and left, and remove the front mounting bracket.

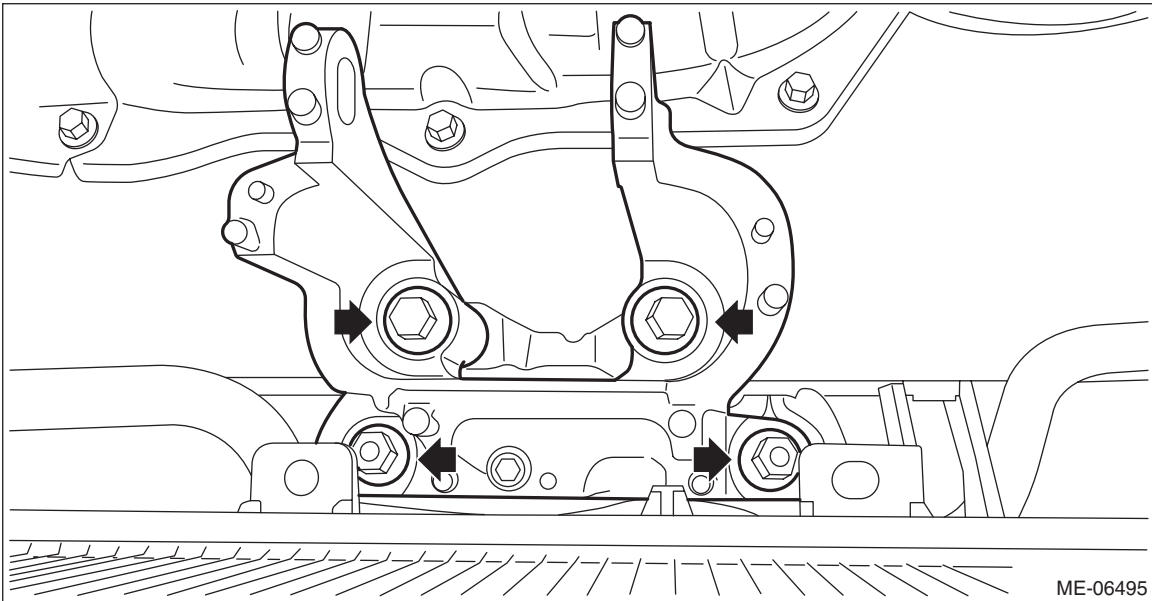


B: INSTALLATION

1) Slide the radiator to the right and left, and install the front mounting bracket.

Tightening torque:

60 N·m (6.1 kgf·m, 44.3 ft-lb)

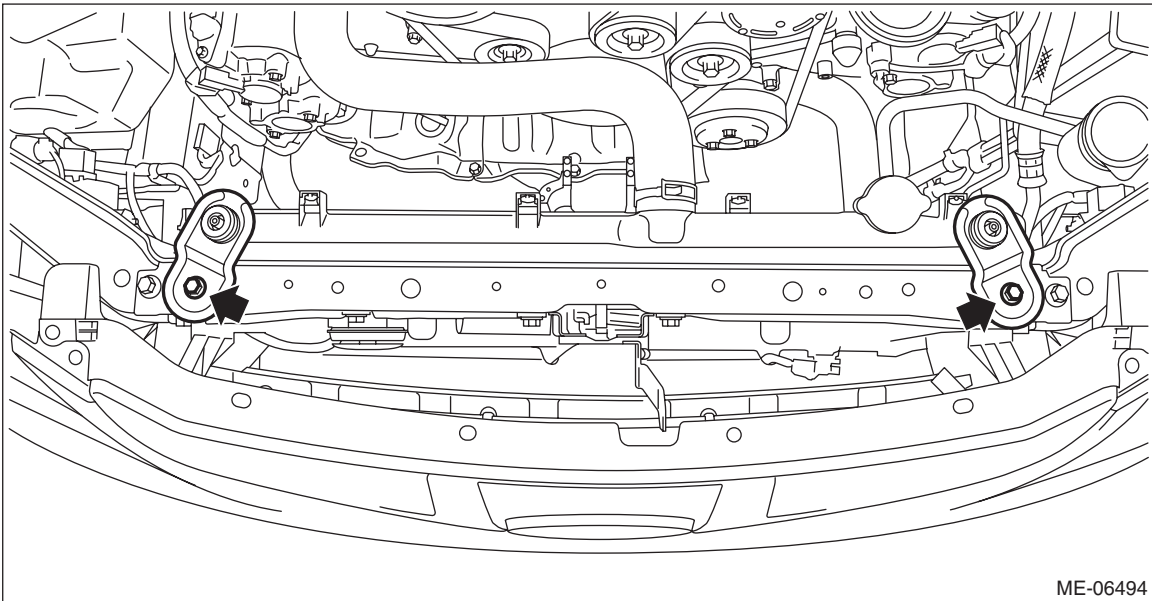


2) Make pins on the lower side of radiator be fitted into the radiator lower cushions.

3) Install the radiator upper brackets.

Tightening torque:

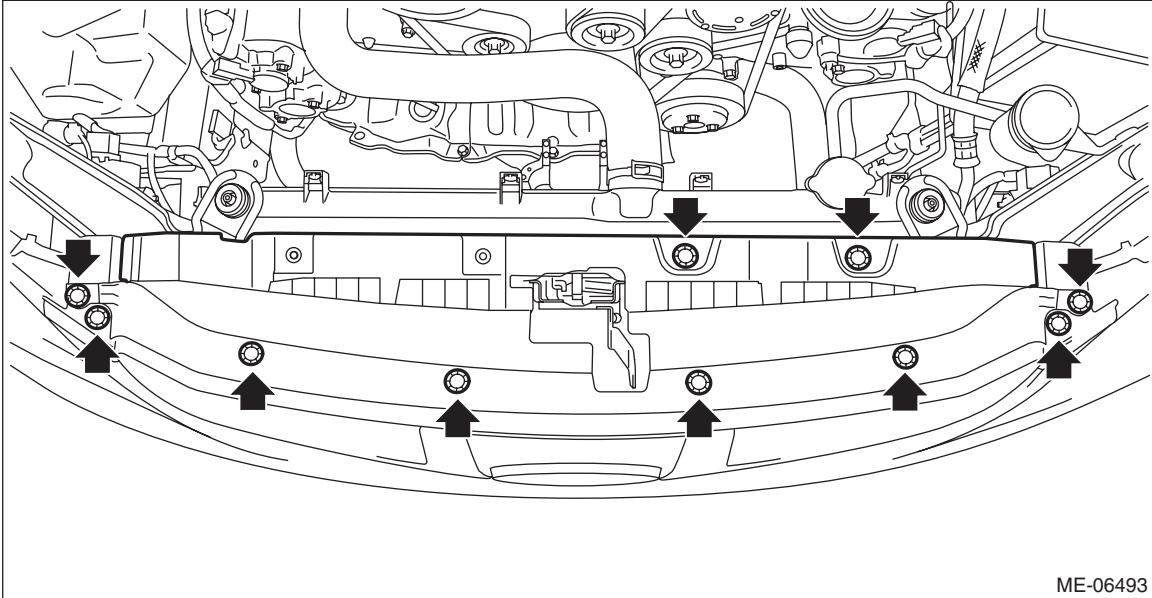
12 N·m (1.2 kgf·m, 8.9 ft-lb)



Engine Mounting

MECHANICAL

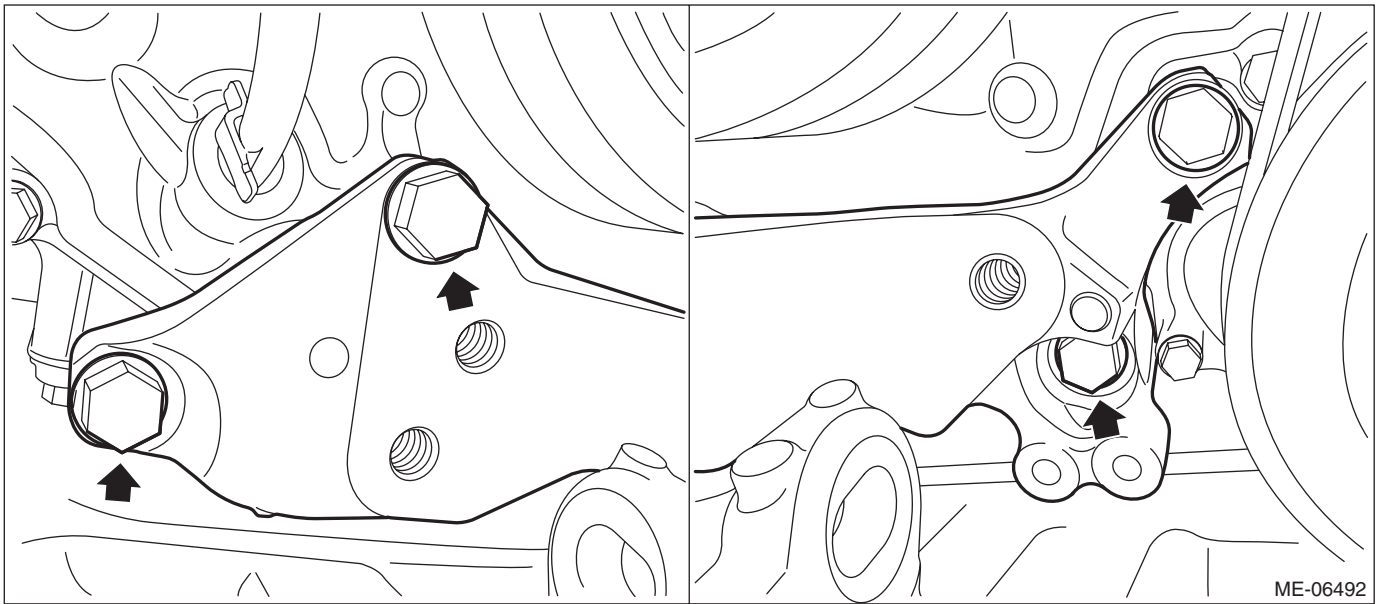
4) Attach the grille bracket.



5) Install the engine mounting bracket onto the engine.

Tightening torque:

30 N·m (3.1 kgf-m, 22.1 ft-lb)

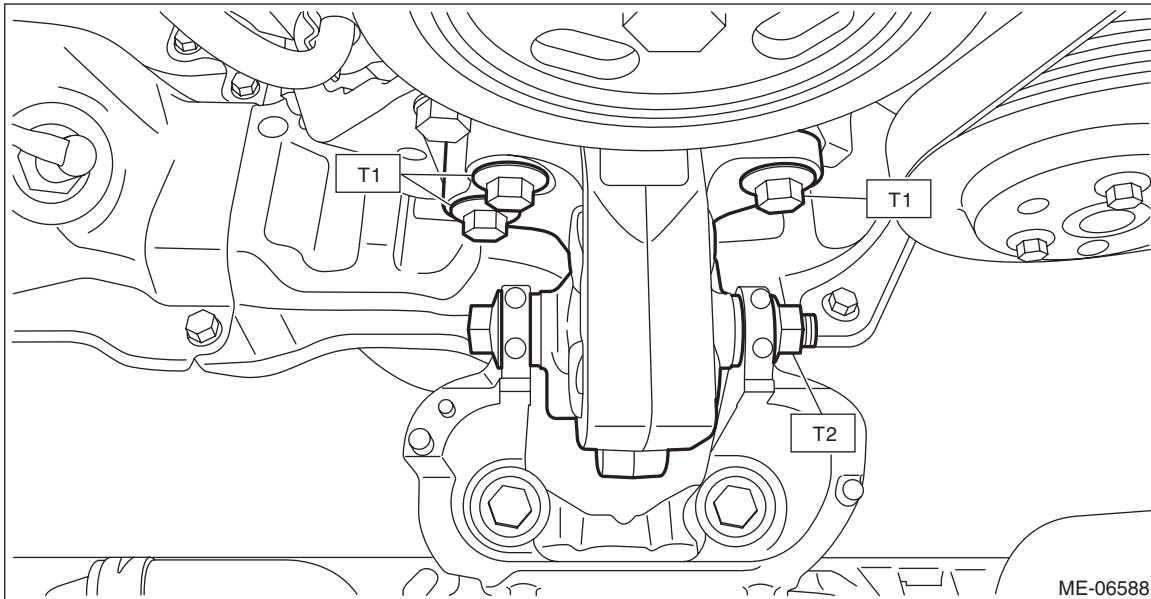


6) Install the front cushion rubber to the front mounting bracket and engine mounting bracket.

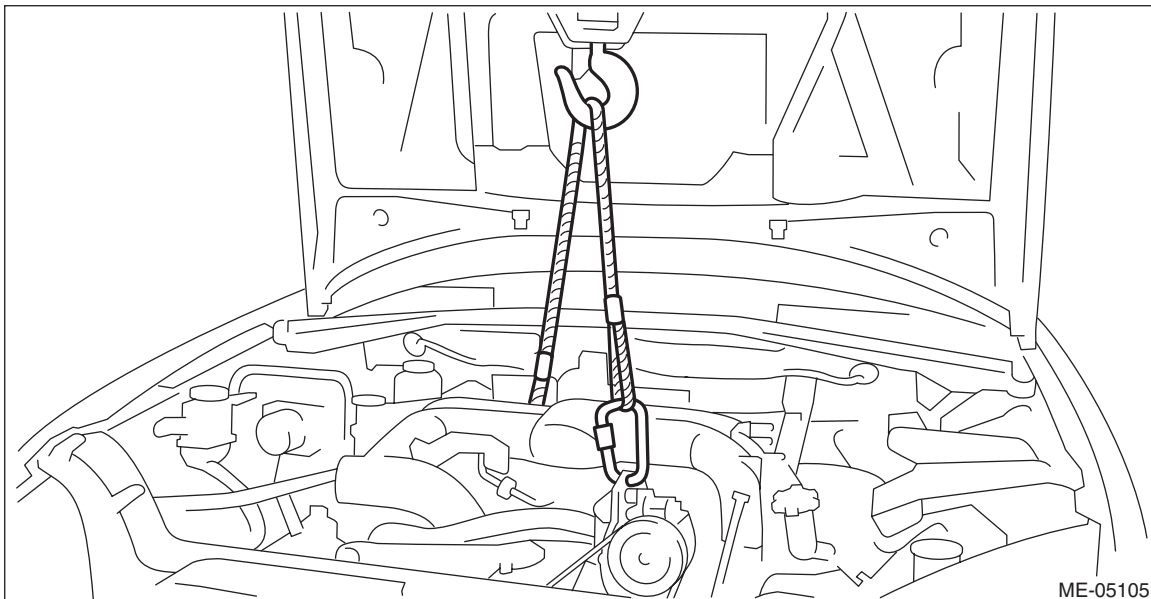
Tightening torque:

T1: 25 N·m (2.5 kgf-m, 18.4 ft-lb)

T2: 45 N·m (4.6 kgf-m, 33.2 ft-lb)



7) Remove the lifting device and wire ropes.

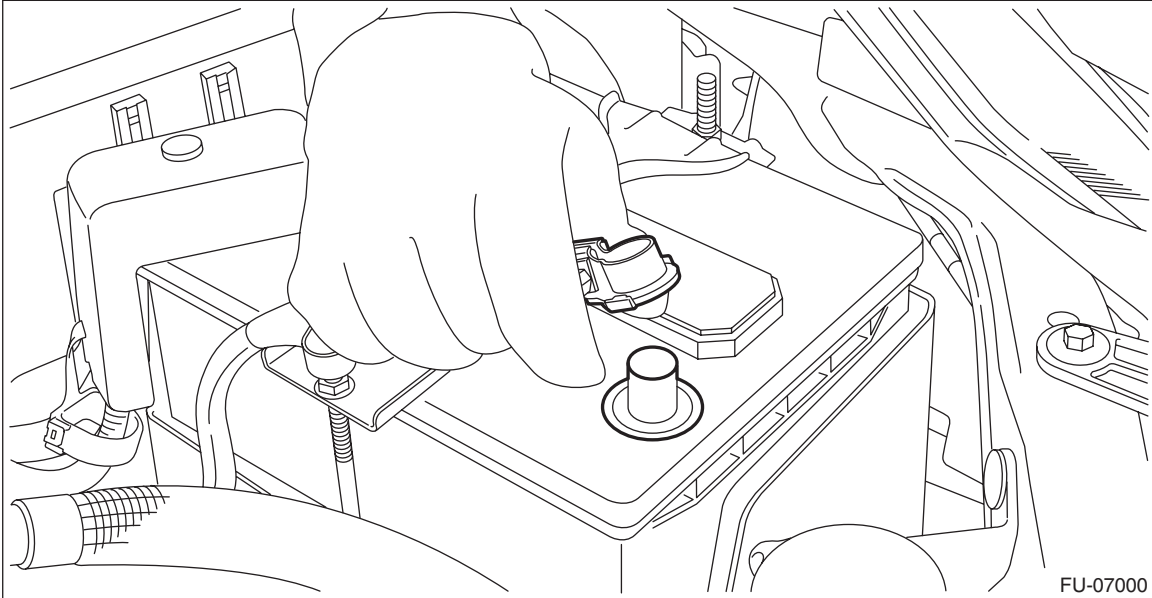


8) Install the radiator main fan motor assembly and radiator sub fan motor assembly. <Ref. to CO(H4DO)-38, INSTALLATION, Radiator Main Fan and Fan Motor.> <Ref. to CO(H4DO)-41, INSTALLATION, Radiator Sub Fan and Fan Motor.>

Engine Mounting

MECHANICAL

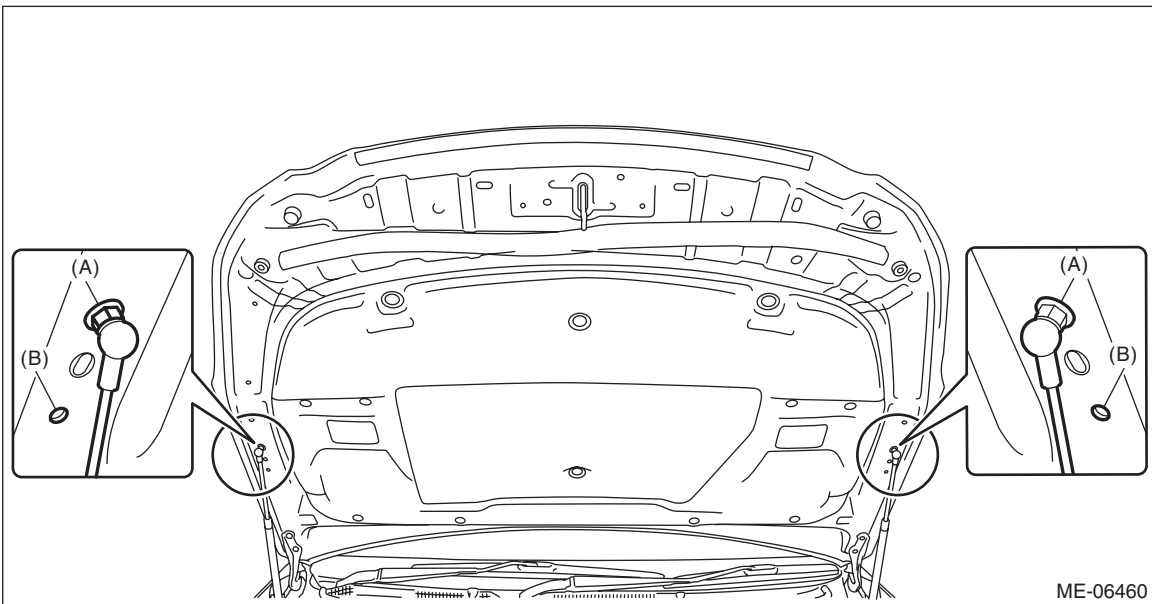
9) Connect the battery ground terminal.



10) Change the front hood damper mounting position from (B) to (A), and close the front hood.

Tightening torque:

20 N·m (2.0 kgf·m, 14.8 ft·lb)



C: INSPECTION

Check that the engine mounting does not have deformation, cracks and any other damage.