

## 6. Radiator

### A: REMOVAL

#### CAUTION:

The radiator is pressurized when the engine and radiator are hot. Wait until engine and radiator cool down before working on the radiator.

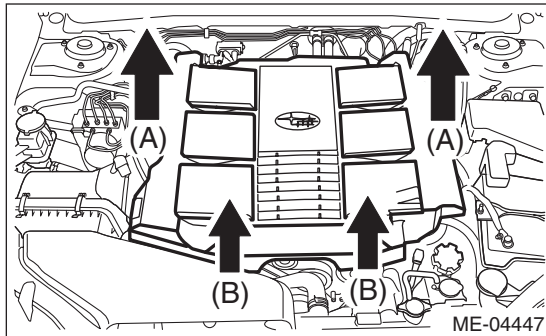
1) Remove the collector cover.

#### NOTE:

Follow the steps below when removing the collector cover.

(1) Pull up the two points at the rear (A).

(2) Pull up the two points at the front (B) while moving them forward.



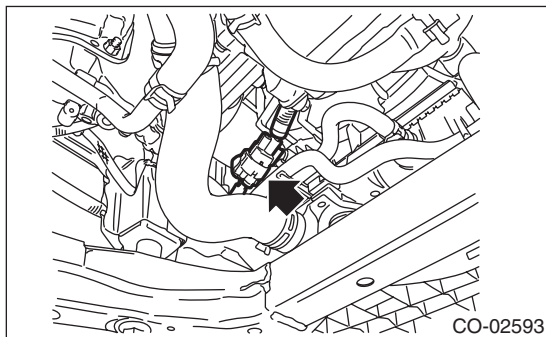
2) Disconnect the ground cable from battery.

3) Lift up the vehicle.

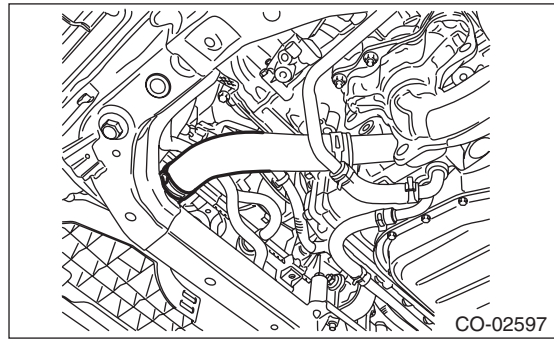
4) Remove the under cover. <Ref. to EI-33, REMOVAL, Front Under Cover.>

5) Drain engine coolant. <Ref. to CO(H6DO)-12, DRAINING OF ENGINE COOLANT, REPLACEMENT, Engine Coolant.>

6) Disconnect the integrated connector of radiator main fan & fan motor and radiator sub fan & fan motor.



7) Disconnect the radiator outlet hose from radiator lower.



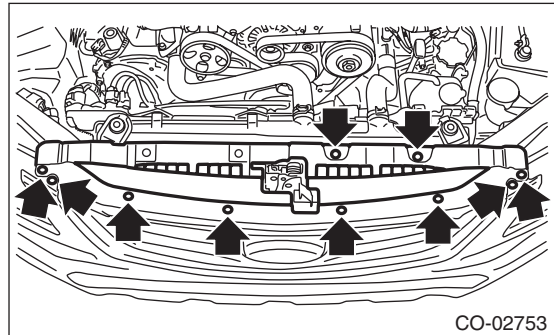
8) Lower the vehicle.

9) Remove the air intake duct. <Ref. to IN(H6DO)-8, REMOVAL, Air Intake Duct.>

10) Remove the grille bracket.

#### NOTE:

Remove ten clips when removing the grille bracket.

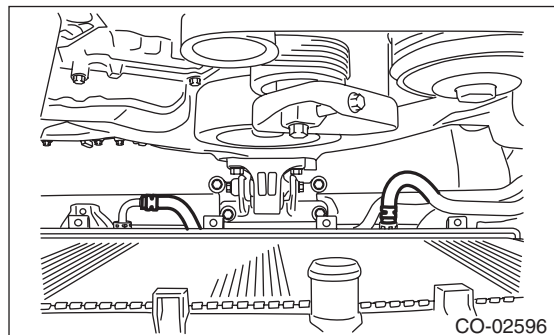


11) Remove the radiator main fan & fan motor and radiator sub fan & fan motor. <Ref. to CO(H6DO)-21, REMOVAL, Radiator Main Fan and Fan Motor.> <Ref. to CO(H6DO)-24, REMOVAL, Radiator Sub Fan and Fan Motor.>

12) Disconnect the ATF radiator inlet hose and outlet hose from the radiator.

#### NOTE:

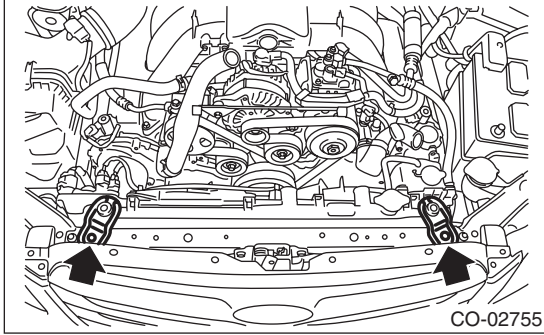
Plug the ATF radiator inlet hose and outlet hose to prevent ATF from leaking.



# Radiator

## COOLING

13) Remove the radiator upper brackets.



14) Lift the radiator up and away from vehicle.  
15) Remove the radiator lower cushion.

## B: INSTALLATION

1) Install the radiator lower cushion.  
2) Install the radiator to vehicle.

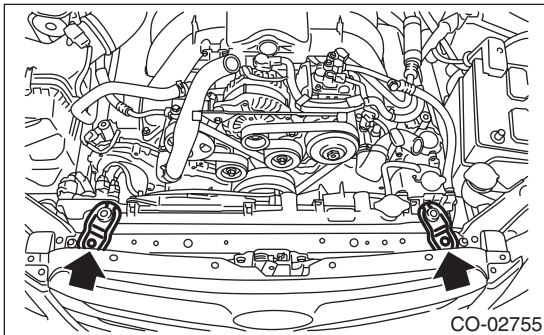
### NOTE:

Insert pins on the lower side of radiator into the radiator lower cushions on vehicle side.

3) Install the radiator upper brackets.

### Tightening torque:

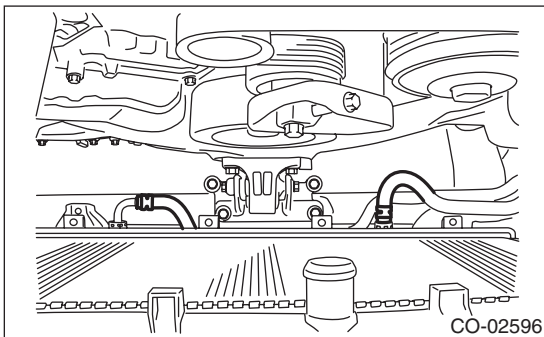
**12 N·m (1.2 kgf·m, 8.9 ft·lb)**



4) Connect the ATF radiator inlet hose and outlet hose.

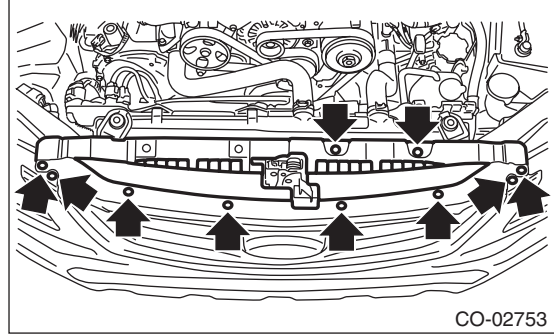
### NOTE:

Use new ATF radiator inlet hose and outlet hose.



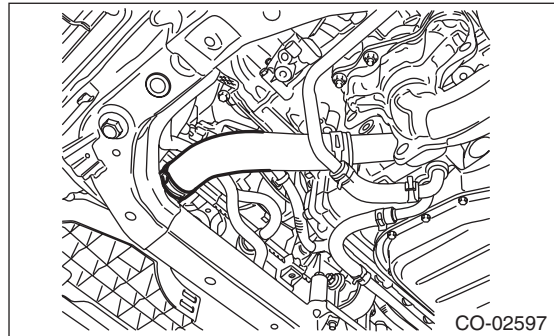
5) Install the radiator main fan & fan motor and radiator sub fan & fan motor. <Ref. to CO(H6DO)-22, INSTALLATION, Radiator Main Fan and Fan Motor.> <Ref. to CO(H6DO)-24, INSTALLATION, Radiator Sub Fan and Fan Motor.>

6) Attach the grille bracket.

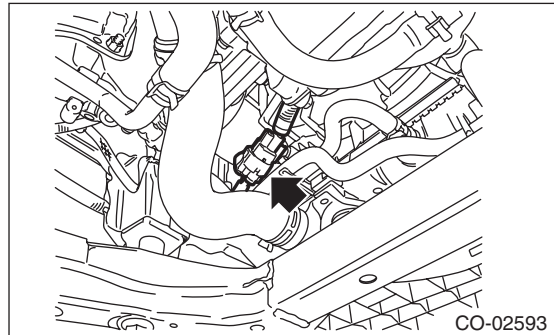


7) Lift up the vehicle.

8) Connect the radiator outlet hose to the radiator lower.



9) Connect the integrated connector of radiator main fan & fan motor and radiator sub fan & fan motor.



10) Install the under cover. <Ref. to EI-33, INSTALLATION, Front Under Cover.>

11) Lower the vehicle.

12) Connect the battery ground terminal.

13) Fill engine coolant. <Ref. to CO(H6DO)-12, FILLING OF ENGINE COOLANT, REPLACEMENT, Engine Coolant.>

14) Check the ATF level and replenish it if necessary. <Ref. to 5AT-28, INSPECTION, Automatic Transmission Fluid.>

15) Install the air intake duct. <Ref. to IN(H6DO)-8, INSTALLATION, Air Intake Duct.>

16) Install the collector cover.

## **C: INSPECTION**

- 1) Check that the radiator does not have deformation, cracks or damage.
- 2) Check that the hose has no cracks, damage or loose part.
- 3) Remove the radiator cap, fill the radiator with engine coolant, and then install the radiator cap tester to the filler neck of radiator.
- 4) Apply a pressure of 157 kPa (1.6 kgf/cm<sup>2</sup>, 23 psi) to the radiator, and check the following items.
  - Leakage from the radiator or its vicinity
  - Leakage from the hose or its connections

### **CAUTION:**

- **Engine should be turned off.**
- **Wipe engine coolant from check points in advance.**
- **Be careful not to deform the filler neck of the radiator when installing and removing the radiator cap tester.**
- **Be careful of engine coolant from spurting out when removing the radiator cap tester.**