

# Radiator Sub Fan and Fan Motor

COOLING

## 9. Radiator Sub Fan and Fan Motor

### A: REMOVAL

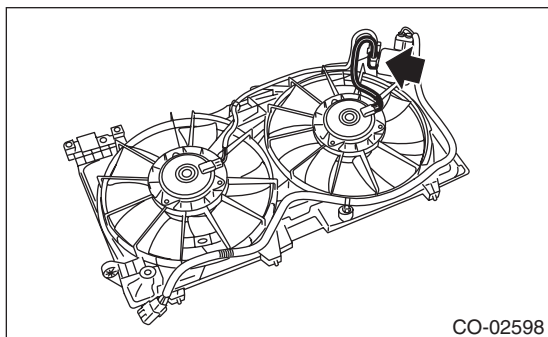
Refer to the Radiator Main Fan and Fan Motor.  
<Ref. to CO(H6DO)-21, REMOVAL, Radiator Main Fan and Fan Motor.>

### B: INSTALLATION

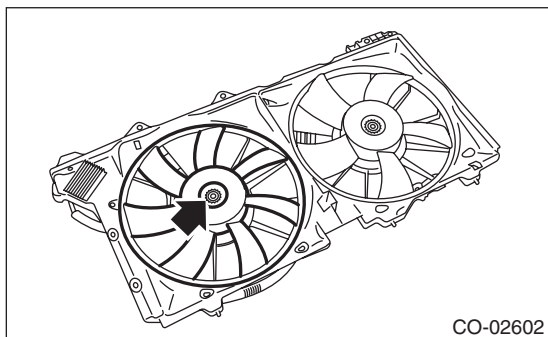
Refer to the Radiator Main Fan and Fan Motor.  
<Ref. to CO(H6DO)-22, INSTALLATION, Radiator Main Fan and Fan Motor.>

### C: DISASSEMBLY

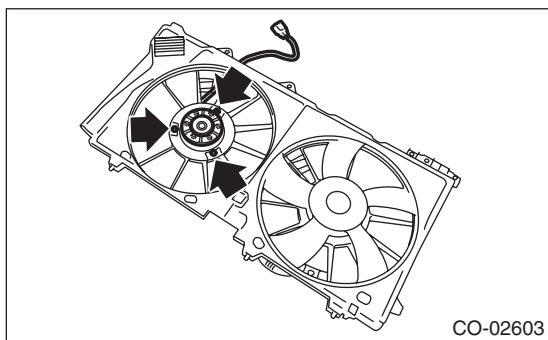
1) Disconnect the connector from the radiator fan control unit, and remove the harness.



2) Remove the radiator sub fan.



3) Remove the radiator sub fan motor.

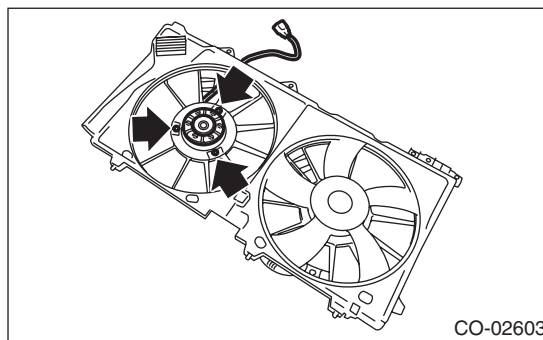


### D: ASSEMBLY

Assemble in the reverse order of disassembly.

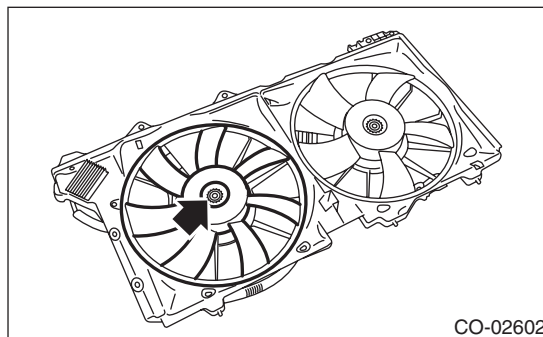
**Tightening torque:**

**3.8 N·m (0.4 kgf·m, 2.8 ft·lb)**



**Tightening torque:**

**6.3 N·m (0.6 kgf·m, 4.6 ft·lb)**



### E: INSPECTION

Check that the radiator sub fan, radiator sub fan shroud and sub fan motor do not have deformation, cracks or damage.