

PCV Valve

EMISSION CONTROL (AUX. EMISSION CONTROL DEVICES)

11.PCV Valve

A: REMOVAL

CAUTION:

Do not remove unless the PCV valve is broken.

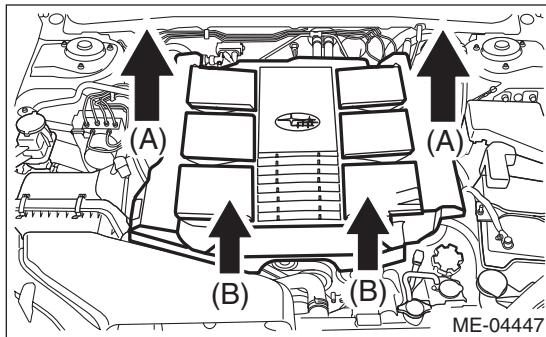
1) Remove the collector cover.

NOTE:

Follow the steps below when removing the collector cover.

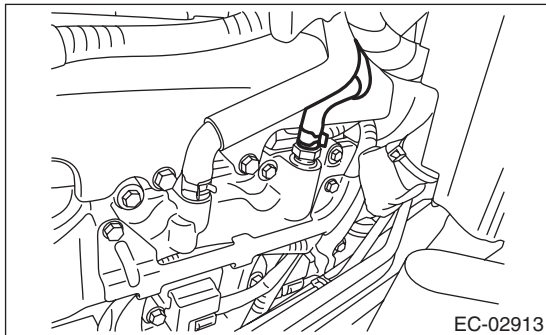
(1) Pull up the two points at the rear (A).

(2) Pull up the two points at the front (B) while moving them forward.

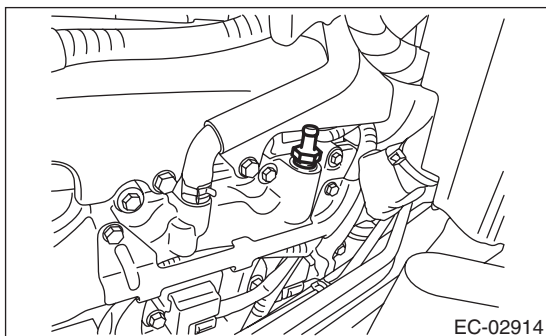


2) Remove the battery and battery carrier. <Ref. to SC(H6DO)-20, REMOVAL, Battery.>

3) Disconnect the PCV hose.



4) Remove the PCV valve from rocker cover.



B: INSTALLATION

Install in the reverse order of removal.

NOTE:

Apply liquid gasket to the bolt threads of PCV valve.

Liquid gasket:

THREE BOND 1324 (Part No. 004403042) or equivalent

Tightening torque:

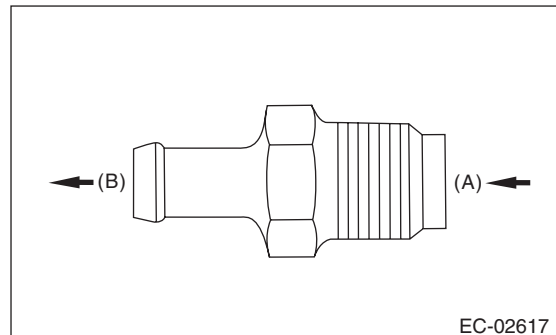
25 N·m (2.5 kgf·m, 18.4 ft·lb)

C: INSPECTION

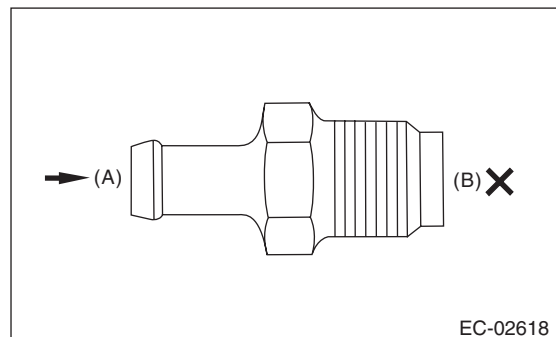
1. PCV VALVE

1) Check that the PCV valve has no deformation, cracks or other damages.

2) Check that air is discharged from (B) when air is blown into (A).



3) Check that air does not come out from (B) when air is blown into (A).



2. OTHER INSPECTIONS

Check that the PCV hose has no cracks, damage or loose part.

INTAKE (INDUCTION)

IN(H6DO)

	Page
1. General Description	2
2. Air Cleaner Element	4
3. Air Cleaner Case	5
4. Air Intake Boot	7
5. Air Intake Duct	8
6. Resonator Chamber	9