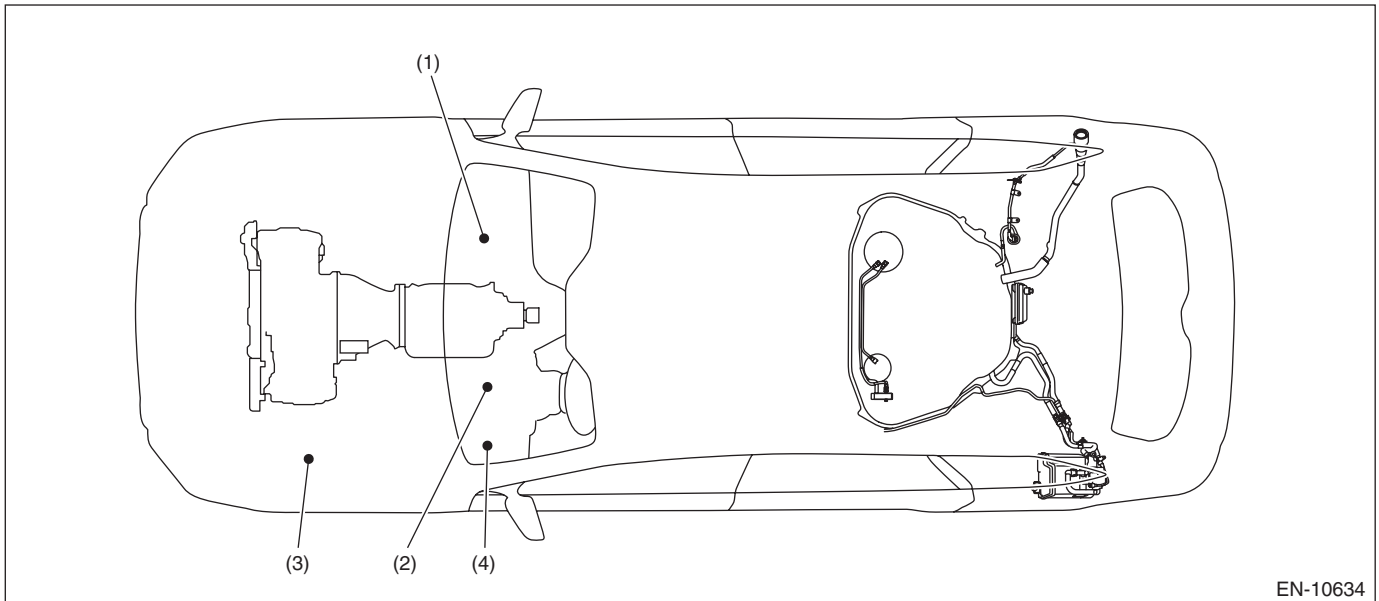


4. Electrical Component Location

A: LOCATION

1. CONTROL MODULE



EN-10634

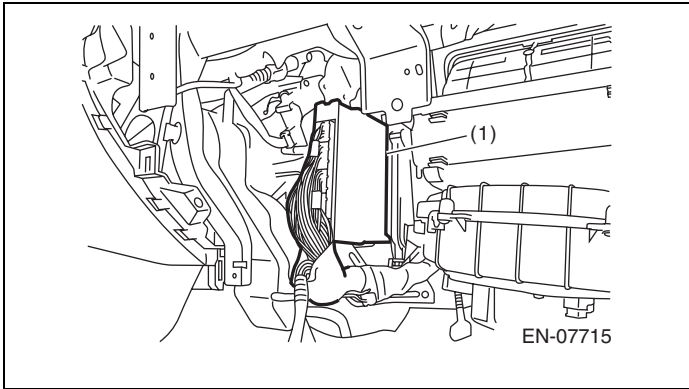
(1) Engine control module (ECM)
(2) Malfunction indicator light

(3) Delivery (test) mode fuse

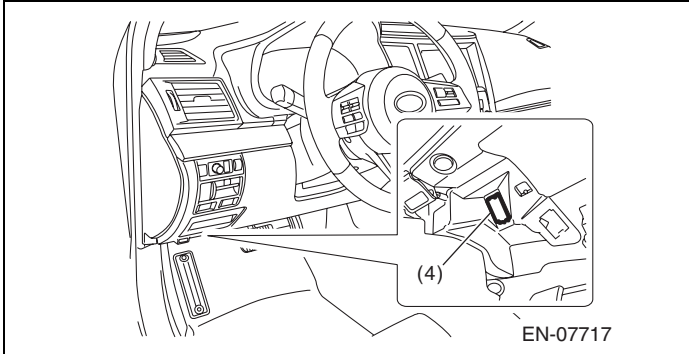
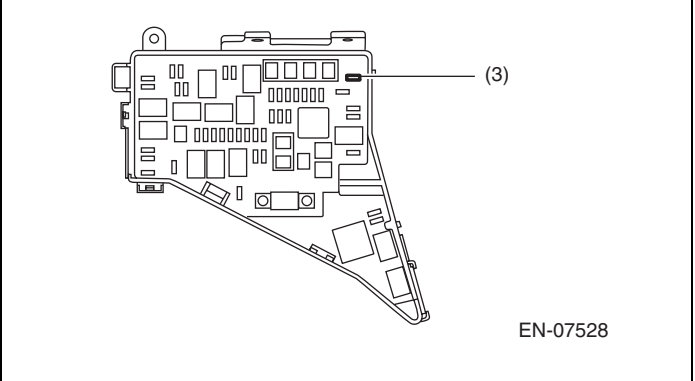
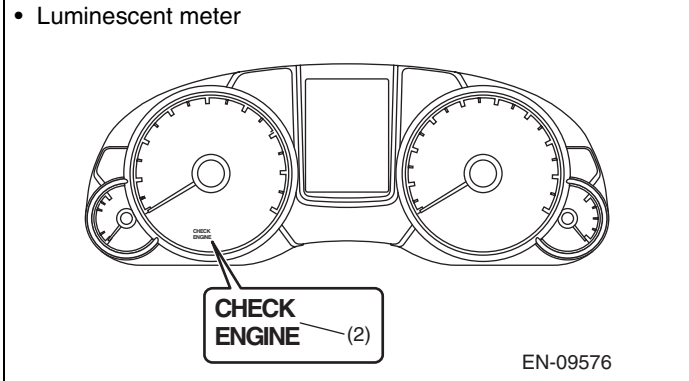
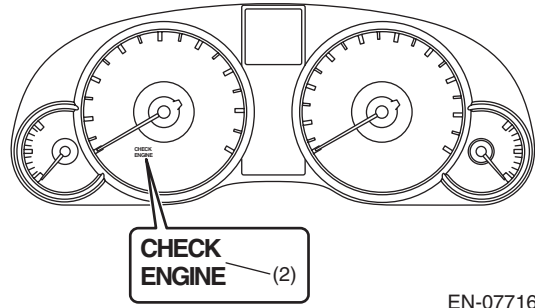
(4) Data link connector

Electrical Component Location

ENGINE (DIAGNOSTICS)

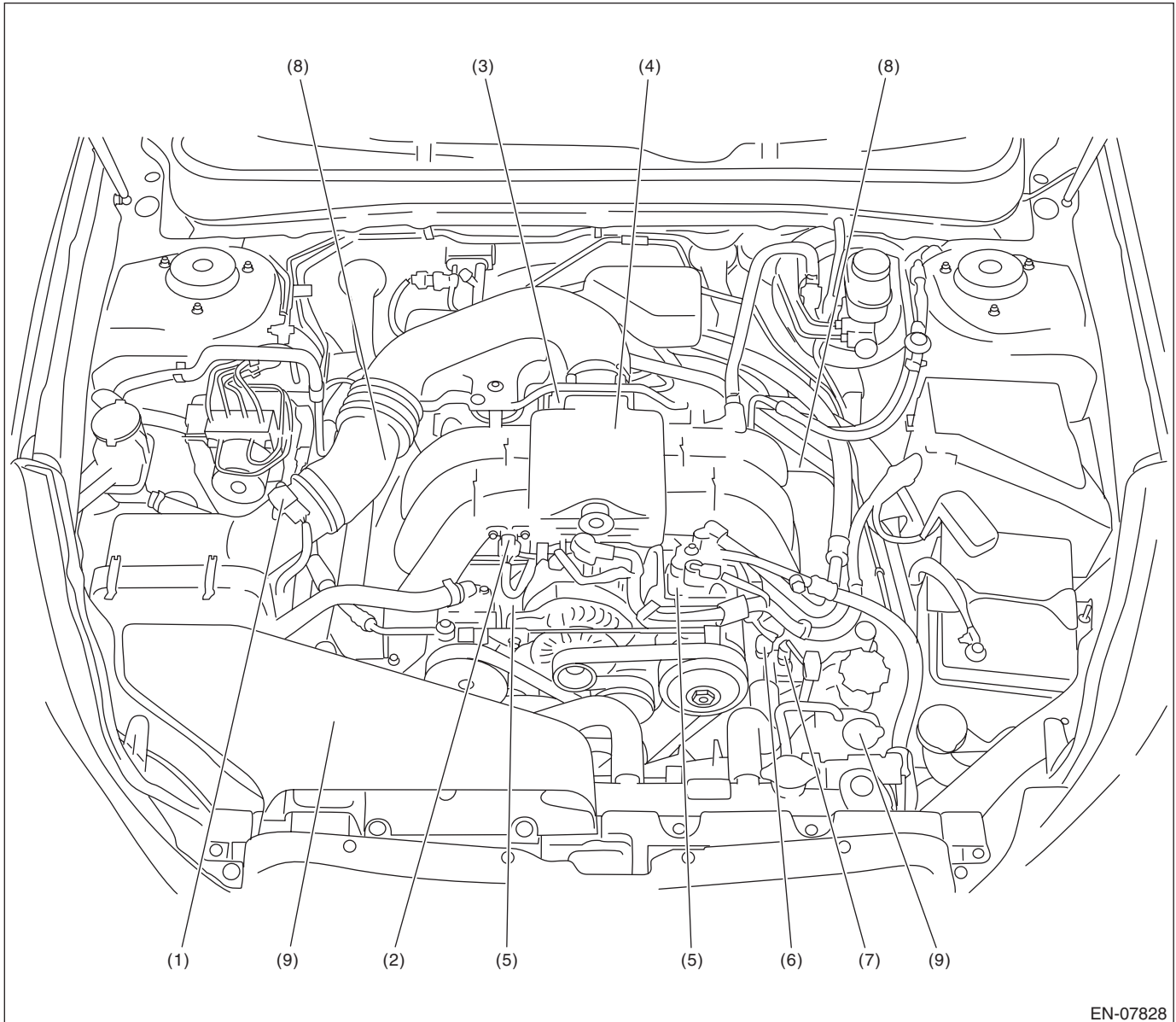


• Normal meter



SUBARU.

2. SENSOR

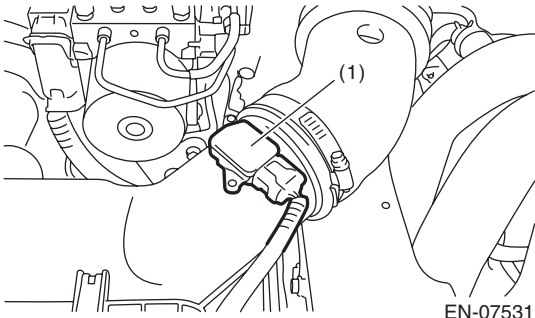


EN-07828

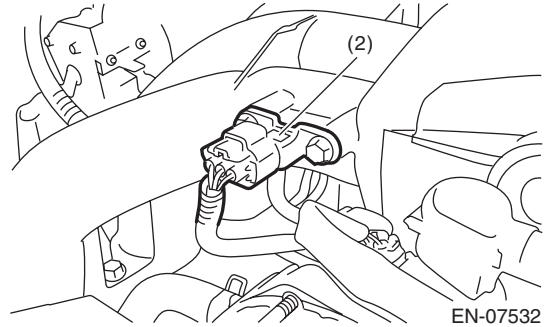
- | | | |
|---|---------------------------------------|--------------------------------------|
| (1) Mass air flow and intake air temperature sensor | (4) Crankshaft position sensor | (7) Engine oil temperature sensor |
| (2) Manifold absolute pressure sensor | (5) Knock sensor | (8) Intake camshaft position sensor |
| (3) Electronic throttle control | (6) Engine coolant temperature sensor | (9) Exhaust camshaft position sensor |

Electrical Component Location

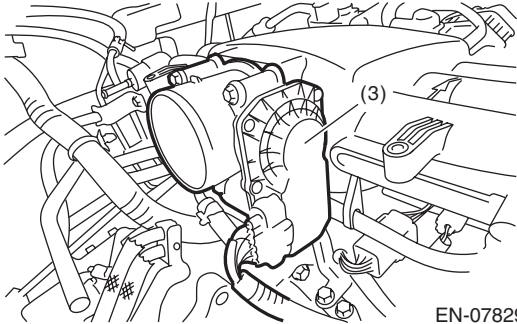
ENGINE (DIAGNOSTICS)



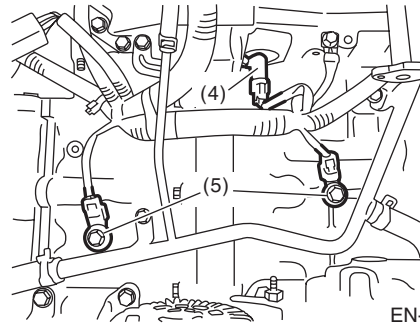
EN-07531



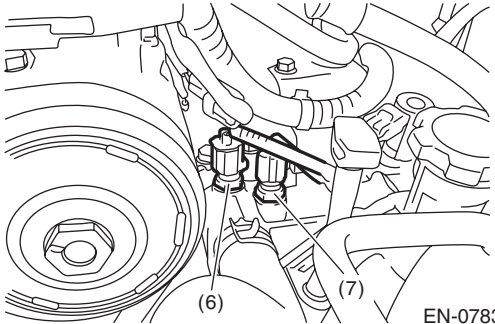
EN-07532



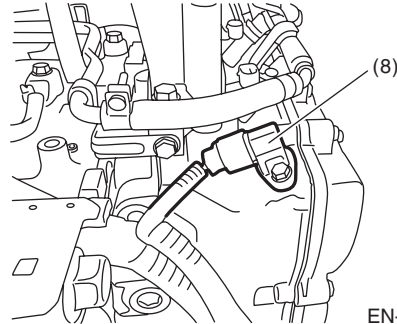
EN-07829



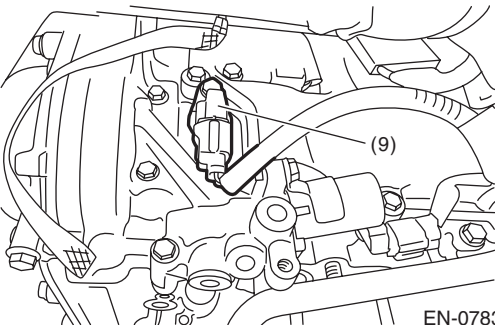
EN-07830



EN-07831



EN-07832

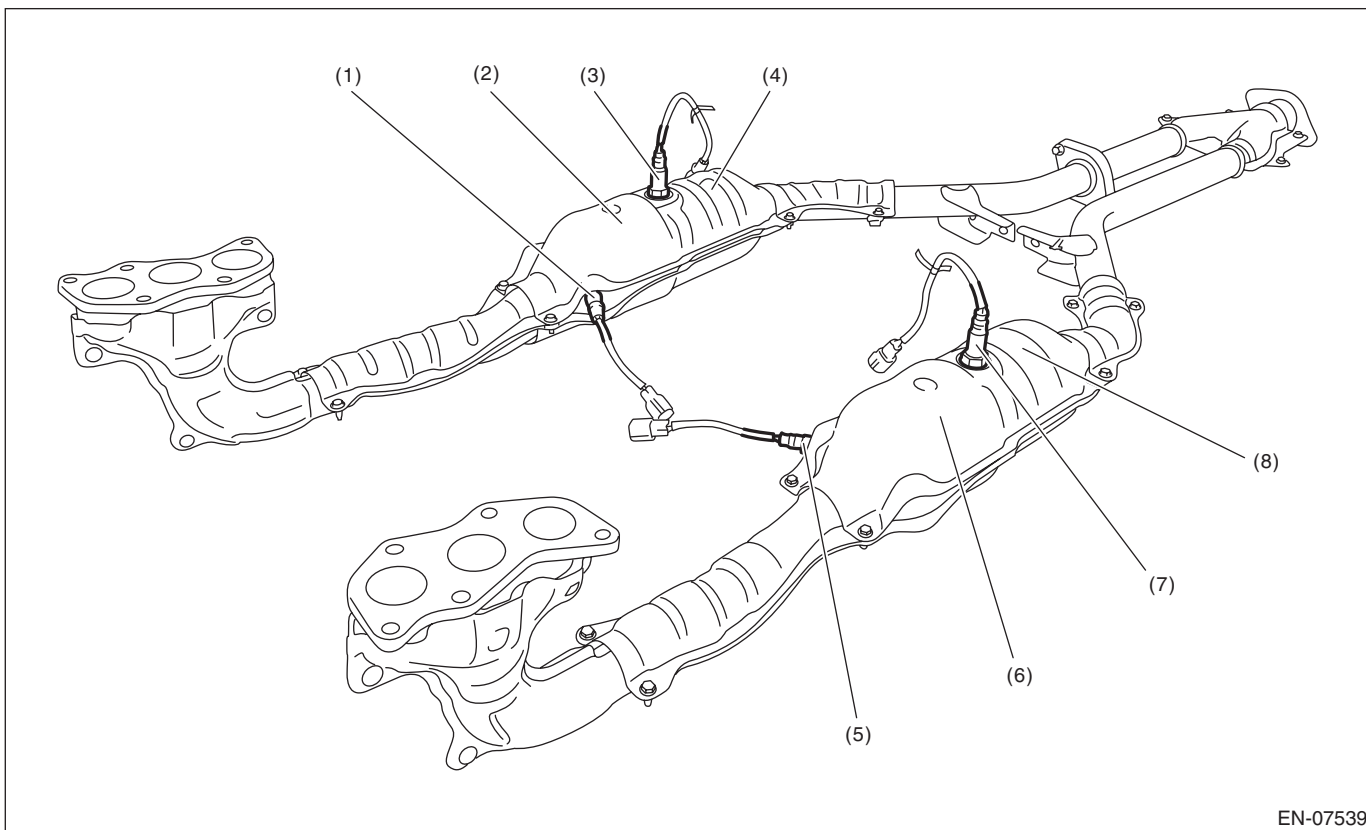


EN-07833

SUBARU.

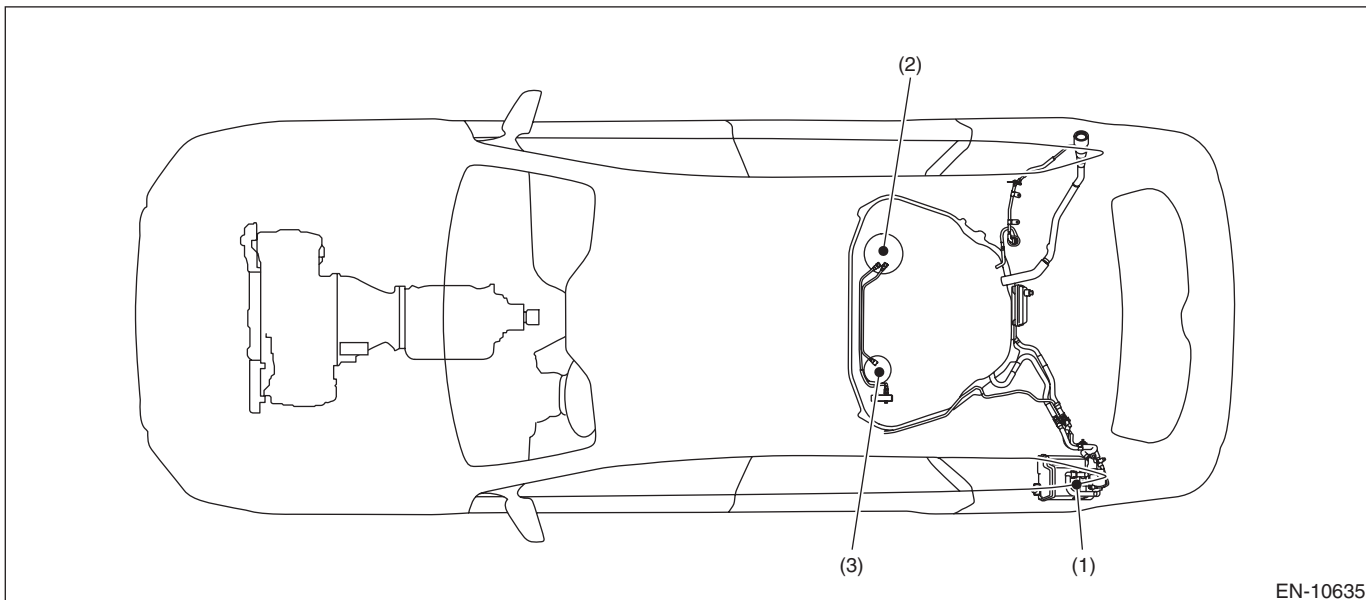
Electrical Component Location

ENGINE (DIAGNOSTICS)



EN-07539

- | | | |
|----------------------------------|----------------------------------|---------------------------------|
| (1) Front oxygen (A/F) sensor RH | (4) Rear catalytic converter RH | (7) Rear oxygen sensor LH |
| (2) Front catalytic converter RH | (5) Front oxygen (A/F) sensor LH | (8) Rear catalytic converter LH |
| (3) Rear oxygen sensor RH | (6) Front catalytic converter LH | |

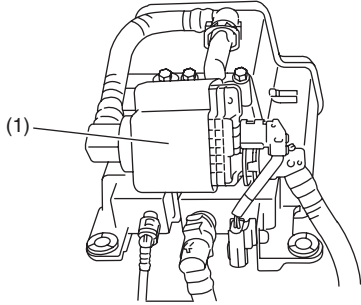
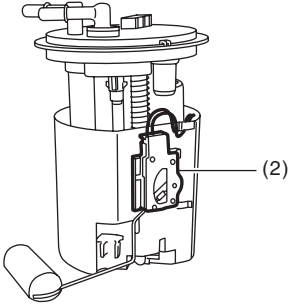
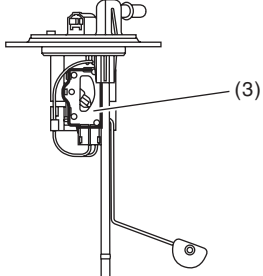


EN-10635

- | | | |
|---|-----------------------|---------------------------|
| (1) Leak check valve ASSY (with built-in pressure sensor) | (2) Fuel level sensor | (3) Fuel sub level sensor |
|---|-----------------------|---------------------------|

Electrical Component Location

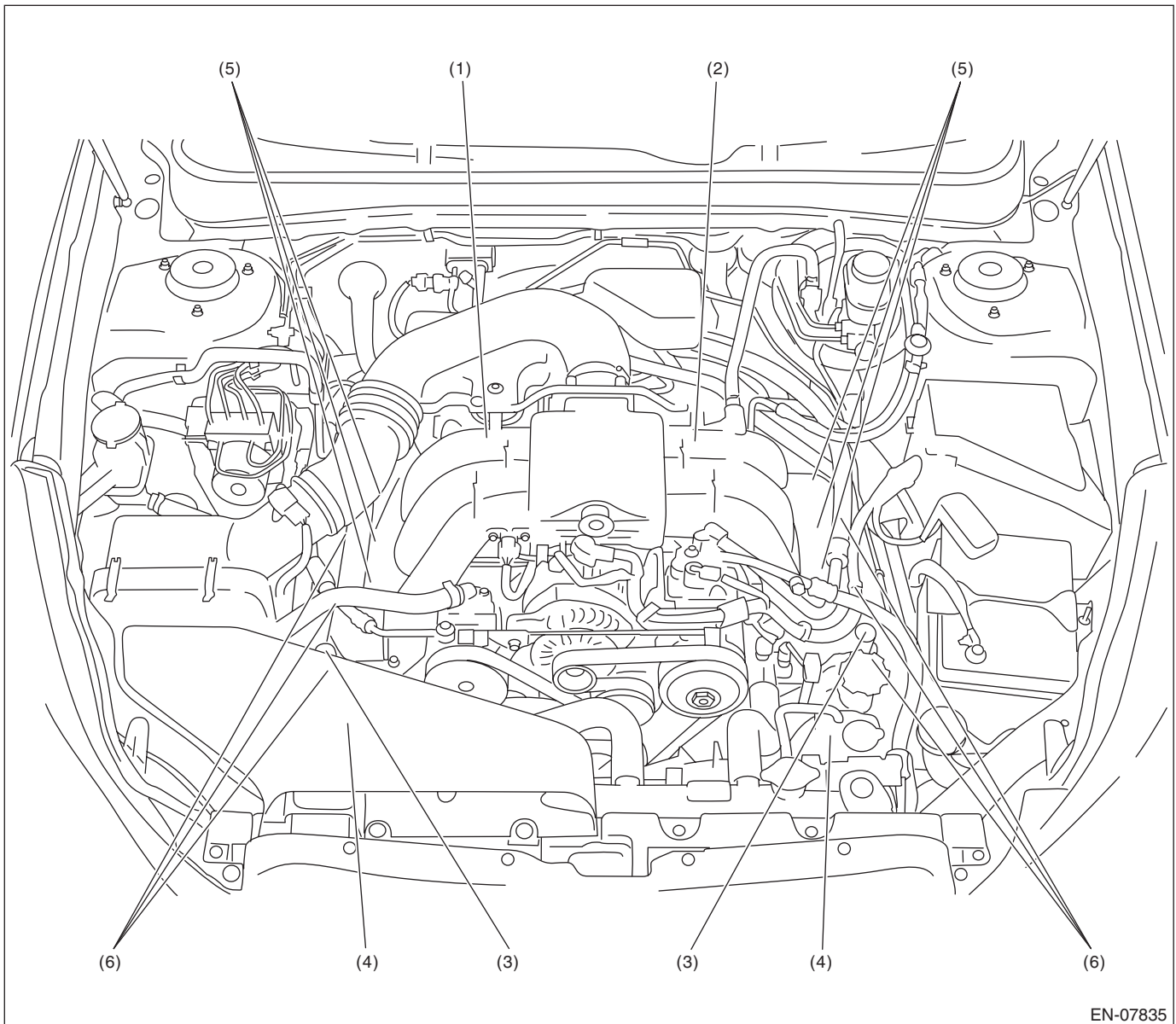
ENGINE (DIAGNOSTICS)

 <p>(1)</p> <p>EN-09844</p>	 <p>(2)</p> <p>EN-10629</p>
 <p>(3)</p> <p>EN-08790</p>	<p>SUBARU.</p>

Electrical Component Location

ENGINE (DIAGNOSTICS)

3. SOLENOID VALVE, ACTUATOR, EMISSION CONTROL SYSTEM PARTS AND IGNITION SYSTEM PARTS

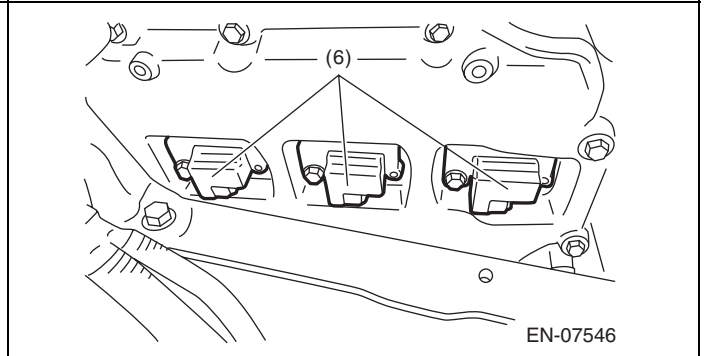
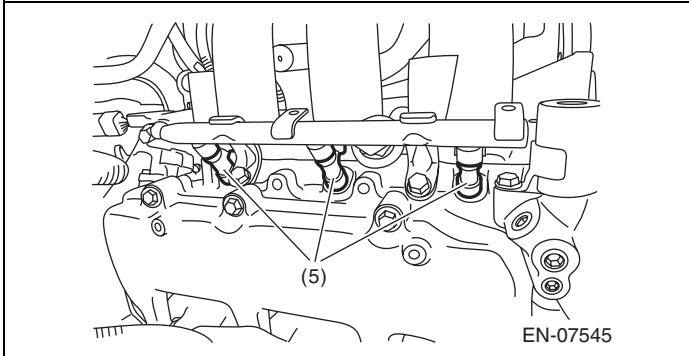
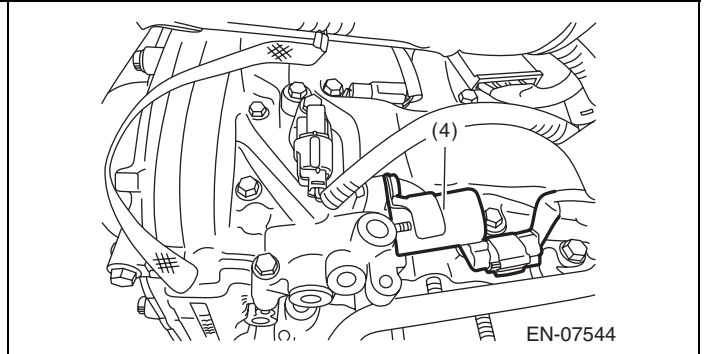
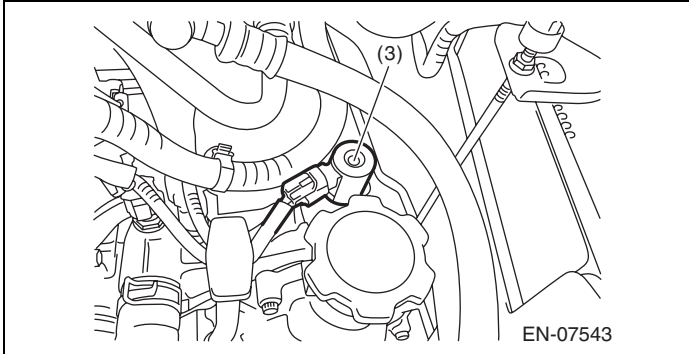
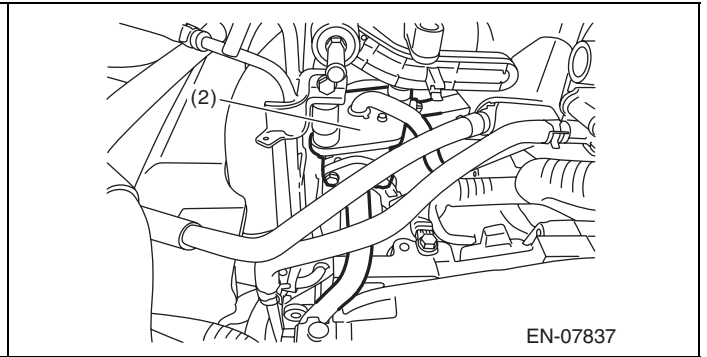
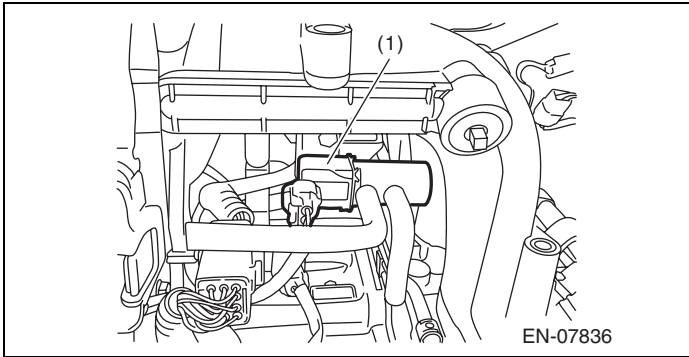


EN-07835

- | | | |
|----------------------------------|---|-------------------|
| (1) Purge control solenoid valve | (3) Intake oil flow control solenoid valve | (5) Fuel injector |
| (2) EGR control valve | (4) Exhaust oil flow control solenoid valve | (6) Ignition coil |

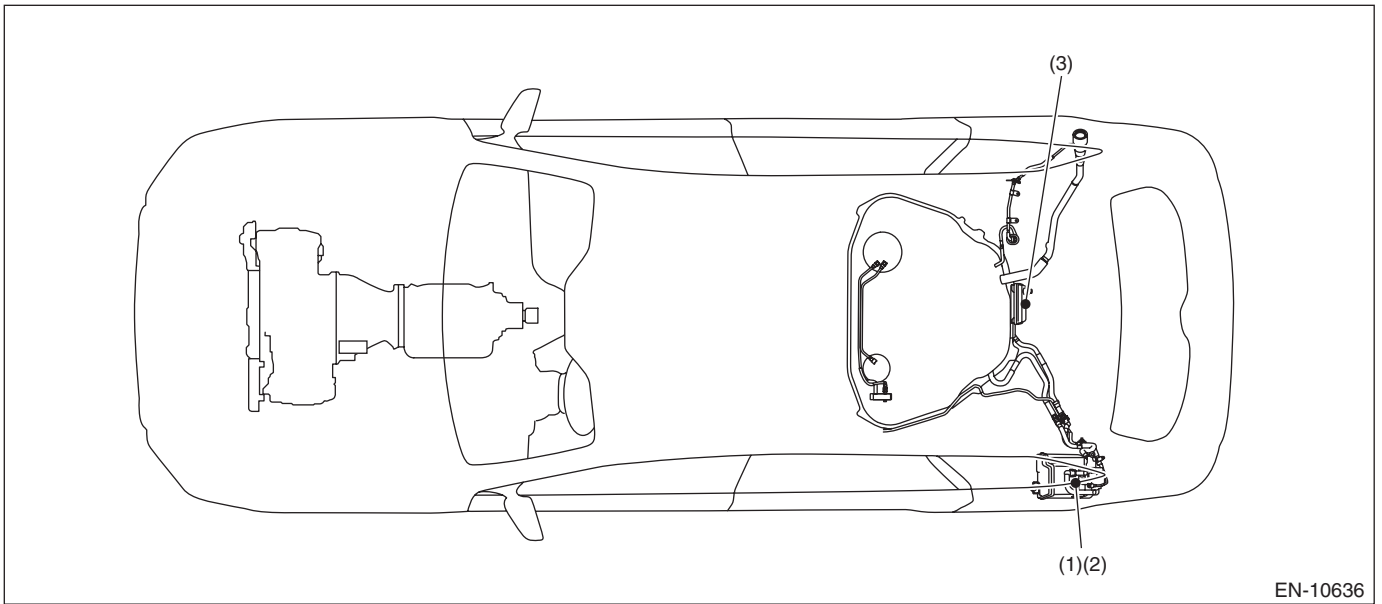
Electrical Component Location

ENGINE (DIAGNOSTICS)



Electrical Component Location

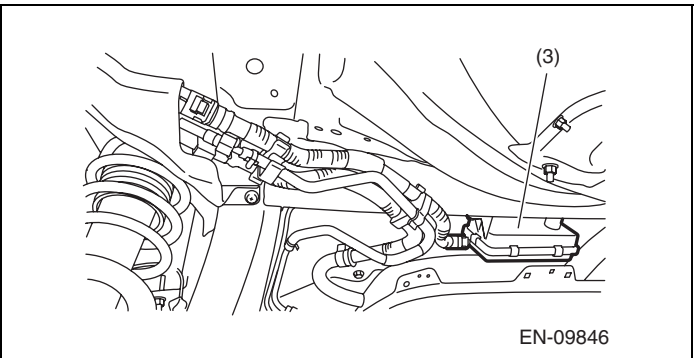
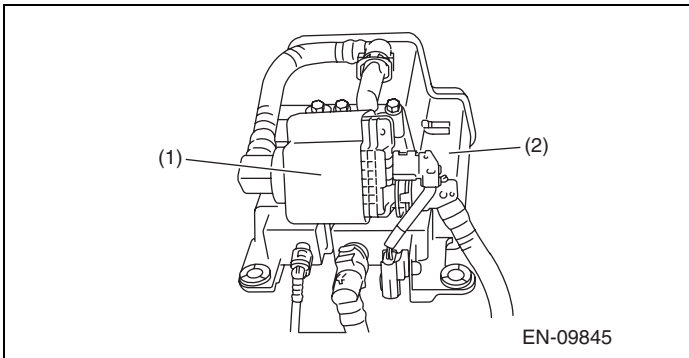
ENGINE (DIAGNOSTICS)



(1) Leak check valve ASSY

(2) Canister

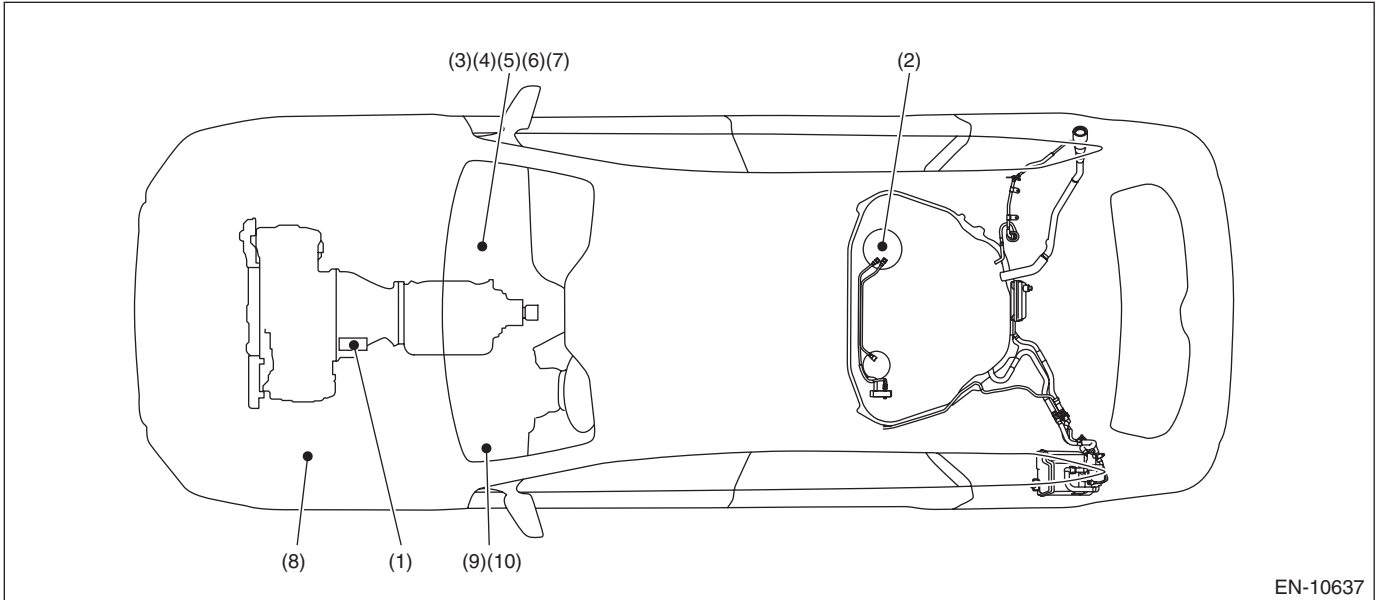
(3) Drain filter



Electrical Component Location

ENGINE (DIAGNOSTICS)

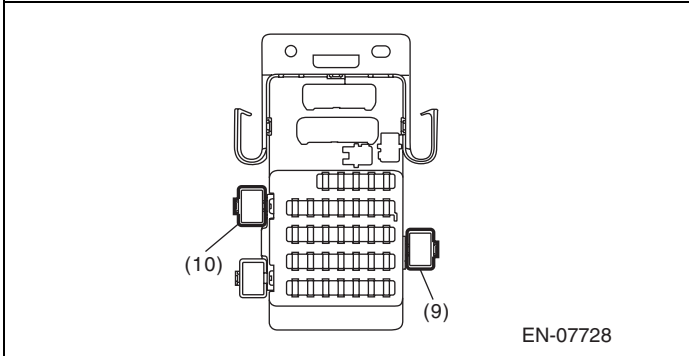
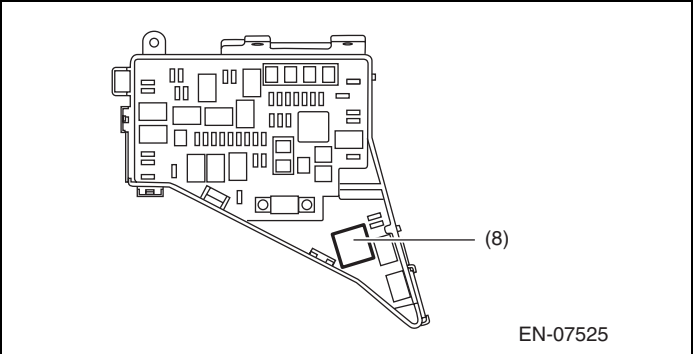
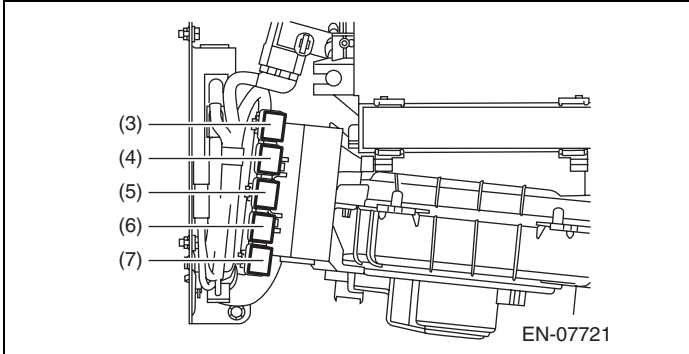
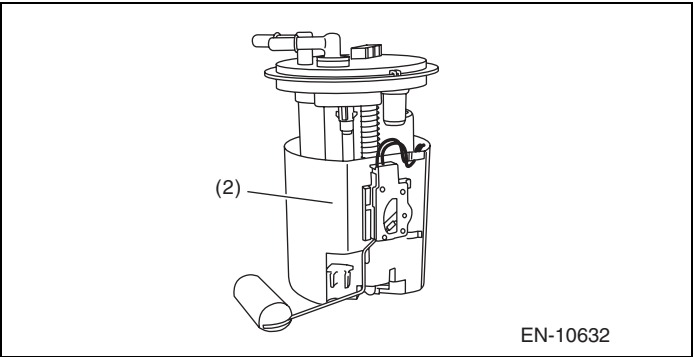
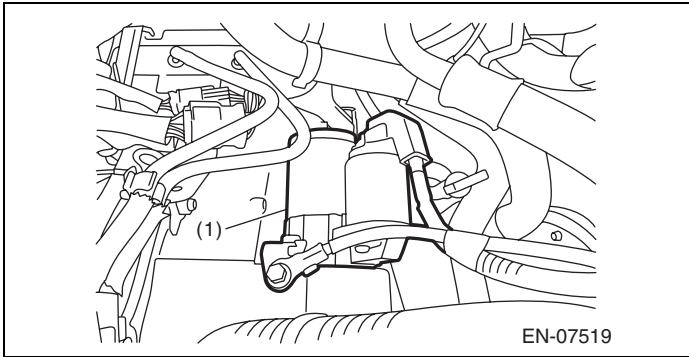
- Model without push button start



- | | | |
|----------------|---------------------------------------|----------------------|
| (1) Starter | (5) A/F, oxygen sensor relay | (8) Main fan relay |
| (2) Fuel pump | (6) Electronic throttle control relay | (9) Starter relay |
| (3) Main relay | (7) Fuel pump relay | (10) Inhibitor relay |
| (4) IG relay | | |

Electrical Component Location

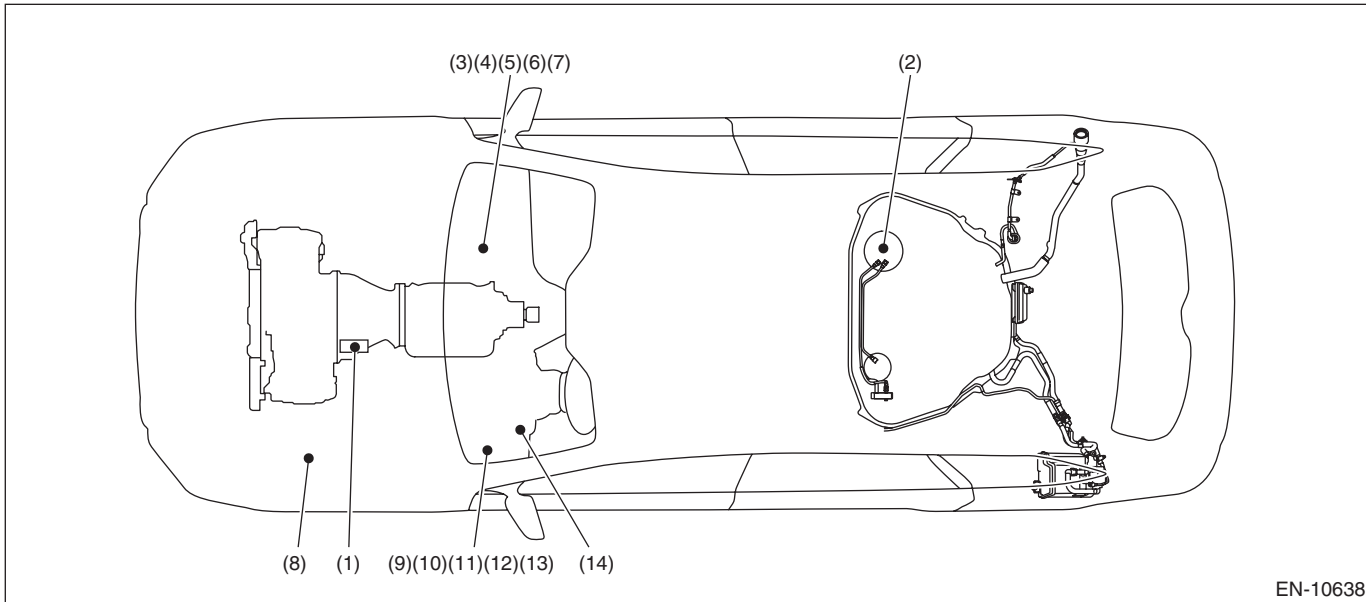
ENGINE (DIAGNOSTICS)



Electrical Component Location

ENGINE (DIAGNOSTICS)

- Model with push button start



EN-10638

- | | | |
|------------------------------|--|----------------------------------|
| (1) Starter | (6) Electronic throttle control relay | (11) Starter relay |
| (2) Fuel pump | (7) Fuel pump relay | (12) Inhibitor relay |
| (3) Main relay | (8) Main fan relay | (13) Starter cut relay |
| (4) IG relay | (9) IG relay 1 (push button start) | (14) Push button ignition switch |
| (5) A/F, oxygen sensor relay | (10) Starter relay (push button start) | |

Electrical Component Location

ENGINE (DIAGNOSTICS)

