

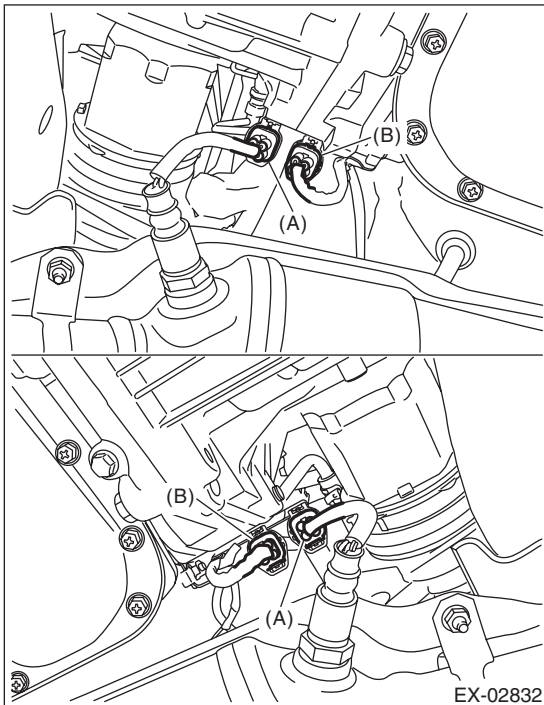
## 2. Front Exhaust Pipe

### A: REMOVAL

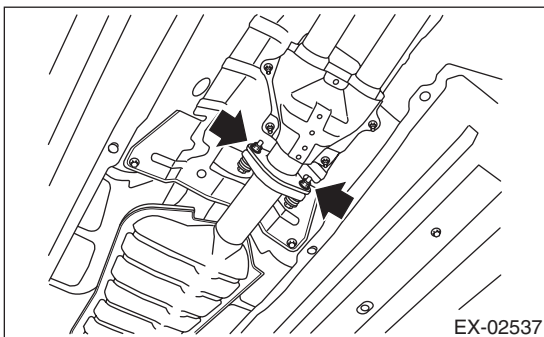
**CAUTION:**

Vehicle components are extremely hot after driving. Be wary of receiving burns from heated parts.

- 1) Disconnect the ground cable from battery.
- 2) Lift up the vehicle.
- 3) Remove the under cover. <Ref. to EI-33, REMOVAL, Front Under Cover.>
- 4) Disconnect the front oxygen (A/F) sensor connector (A) and rear oxygen sensor connector (B).



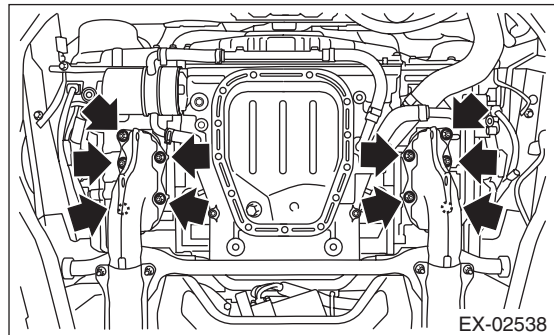
- 5) Remove the rear exhaust pipe from the front exhaust pipe assembly.



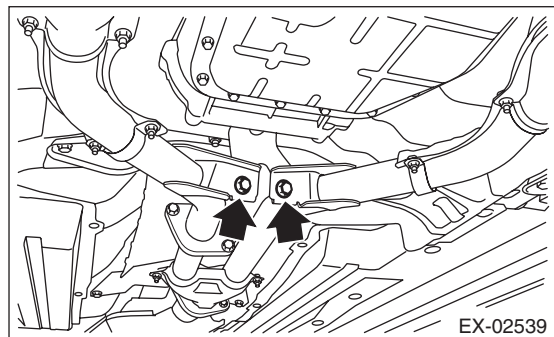
- 6) Remove the nuts which hold front exhaust pipe assembly onto cylinder heads.

**CAUTION:**

Be careful not to drop the front exhaust pipe assembly.



- 7) Remove the bolt which holds front exhaust pipe assembly to hanger bracket.

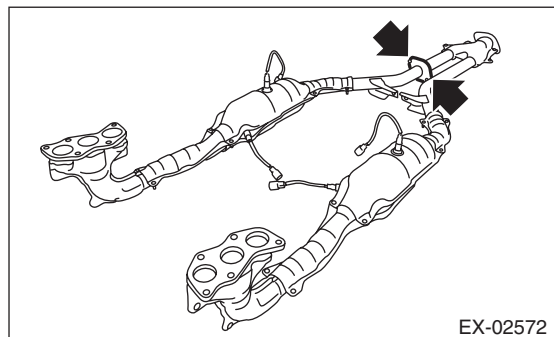


- 8) Remove the front exhaust pipe assembly.

**CAUTION:**

- Be careful not to let the front exhaust pipe assembly fall off when removing, since it is very heavy.
- After removing the front exhaust pipe assembly, do not apply excessive pulling force on the rear exhaust pipe.

- 9) Separate the front exhaust pipe (RH) from the front exhaust pipe (LH).



- 10) Remove the front oxygen (A/F) sensor and rear oxygen sensor. <Ref. to FU(H6DO)-50, REMOVAL, Front Oxygen (A/F) Sensor.> <Ref. to FU(H6DO)-52, REMOVAL, Rear Oxygen Sensor.>

# Front Exhaust Pipe

## EXHAUST

### B: INSTALLATION

1) Install the front oxygen (A/F) sensor and rear oxygen sensor. <Ref. to FU(H6DO)-50, INSTALLATION, Front Oxygen (A/F) Sensor.> <Ref. to FU(H6DO)-52, INSTALLATION, Rear Oxygen Sensor.>

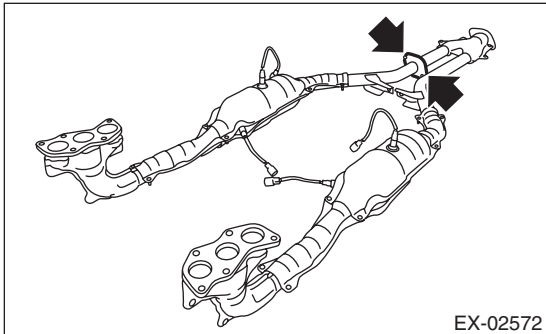
2) Install the front exhaust pipe (RH) to the front exhaust pipe (LH).

NOTE:

Use a new gasket.

**Tightening torque:**

**30 N·m (3.1 kgf-m, 22.1 ft-lb)**

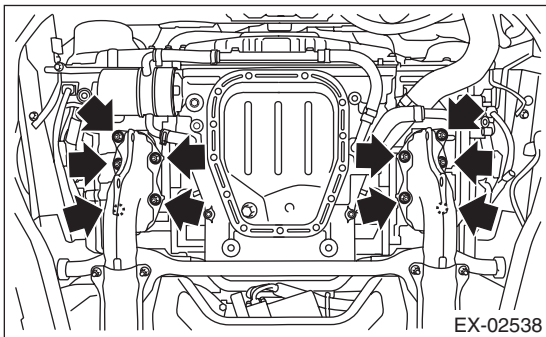


3) Install the front exhaust pipe assembly.

NOTE:

Use a new gasket.

4) Temporarily tighten the nuts which hold front exhaust pipe assembly to cylinder heads.



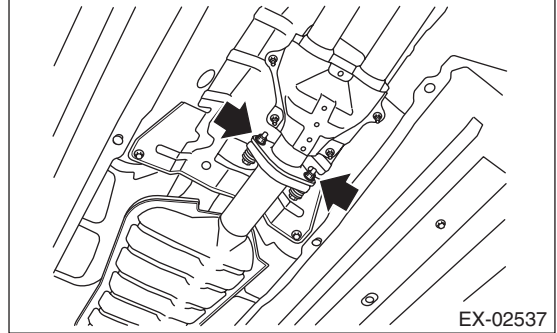
5) Install the front exhaust pipe assembly to the rear exhaust pipe.

NOTE:

Use a new gasket.

**Tightening torque:**

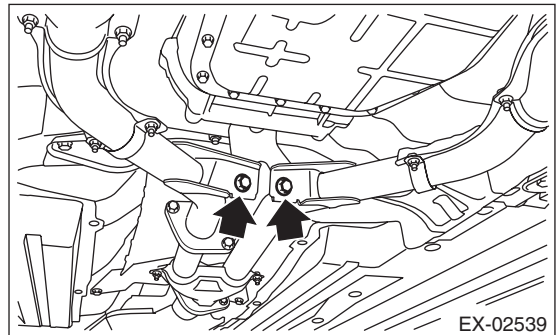
**18 N·m (1.8 kgf-m, 13.3 ft-lb)**



6) Tighten the bolts which hold front exhaust pipe assembly to hanger bracket.

**Tightening torque:**

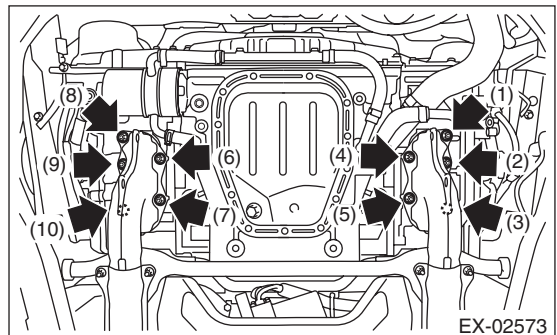
**30 N·m (3.1 kgf-m, 22.1 ft-lb)**



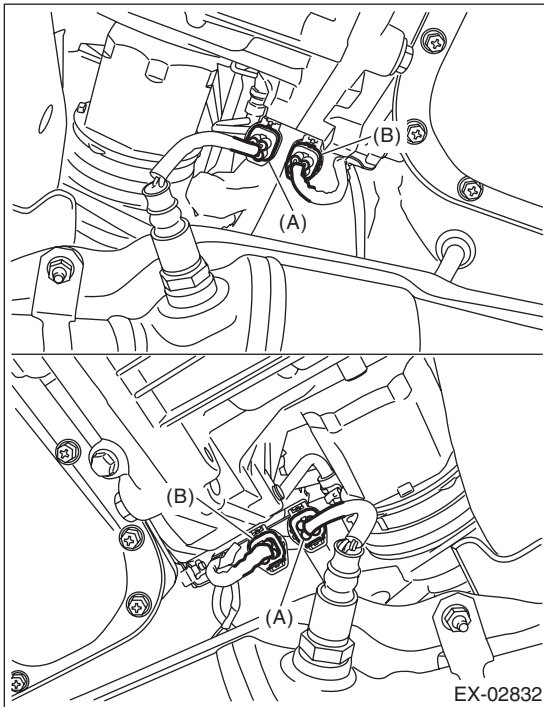
7) Tighten the nuts which hold the front exhaust pipe assembly to the cylinder heads in the numerical sequence as shown in the figure.

**Tightening torque:**

**30 N·m (3.1 kgf-m, 22.1 ft-lb)**



- 8) Connect the front oxygen (A/F) sensor connector (A) and rear oxygen sensor connector (B).



- 9) Install the under cover. <Ref. to EI-33, INSTALLATION, Front Under Cover.>  
10) Lower the vehicle.  
11) Connect the battery ground terminal.

## C: INSPECTION

- 1) Check the connections and welds for exhaust leaks.
- 2) Make sure there are no holes or rusting.