

# Rear Exhaust Pipe

EXHAUST

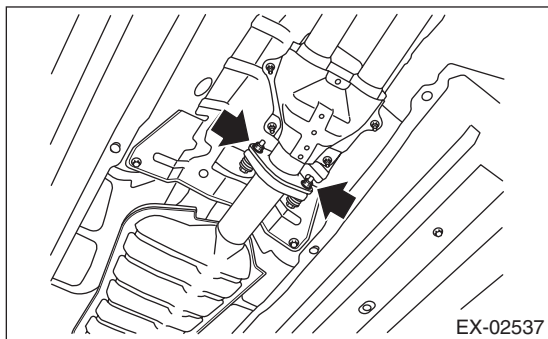
## 3. Rear Exhaust Pipe

### A: REMOVAL

#### CAUTION:

Vehicle components are extremely hot after driving. Be wary of receiving burns from heated parts.

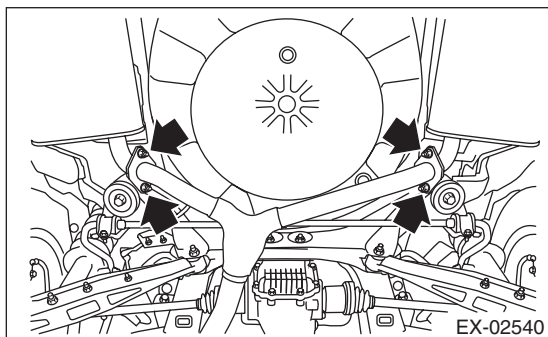
- 1) Lift up the vehicle.
- 2) Remove the rear exhaust pipe from the front exhaust pipe assembly.



- 3) Remove the rear exhaust pipe from the muffler.

#### CAUTION:

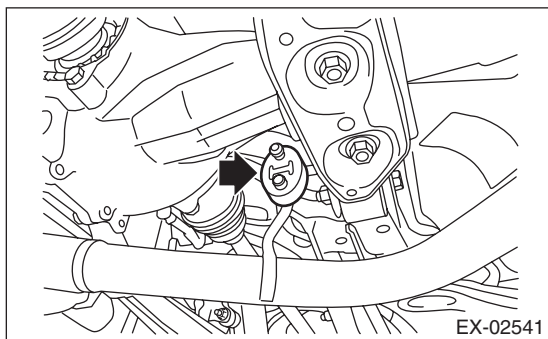
Be careful not to drop the rear exhaust pipe.



- 4) Apply a coat of spray type lubricant to the mating area of cushion rubber.
- 5) Remove the rear exhaust pipe from the cushion rubber.

#### CAUTION:

Be careful not to let the muffler contact the rear bumper.

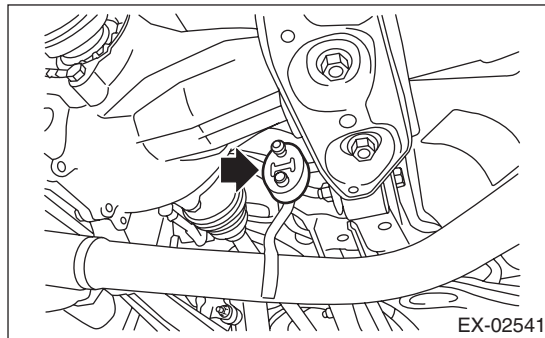


### B: INSTALLATION

- 1) Apply a coat of spray type lubricant to the mating area of cushion rubber.
- 2) Install the rear exhaust pipe to the cushion rubber.

#### NOTE:

After assembling, degrease the lubricant which was applied to the cushion rubber while removing/installing.



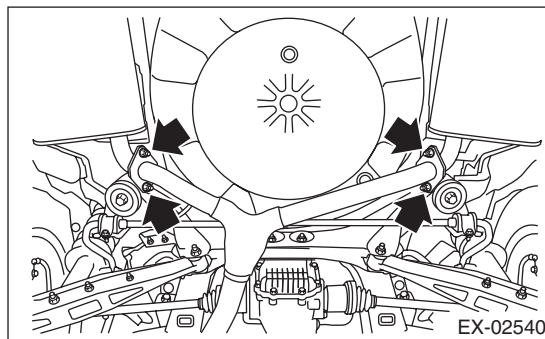
- 3) Install the rear exhaust pipe to the muffler.

#### NOTE:

Use a new gasket and self-locking nut.

#### Tightening torque:

**48 N·m (4.9 kgf·m, 35.4 ft·lb)**



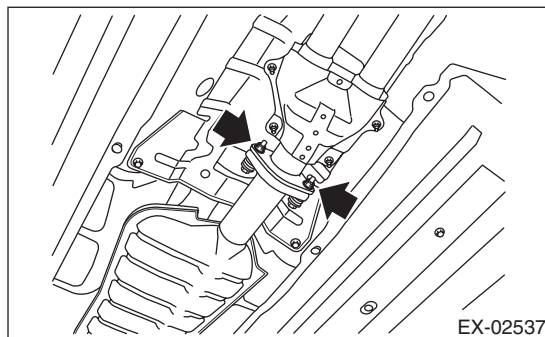
- 4) Install the rear exhaust pipe to the front exhaust pipe assembly.

#### NOTE:

Use a new gasket.

#### Tightening torque:

**18 N·m (1.8 kgf·m, 13.3 ft·lb)**



- 5) Lower the vehicle.

## **C: INSPECTION**

- 1) Check the connections and welds for exhaust leaks.
- 2) Make sure there are no holes or rusting.
- 3) Check the cushion rubber for wear or crack.