

13. Oil Flow Control Solenoid Valve

A: REMOVAL

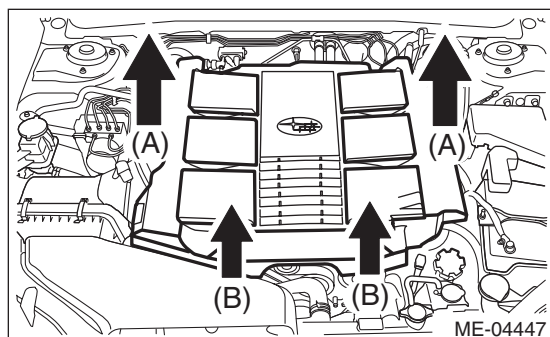
1. INTAKE SIDE

1) Remove the collector cover.

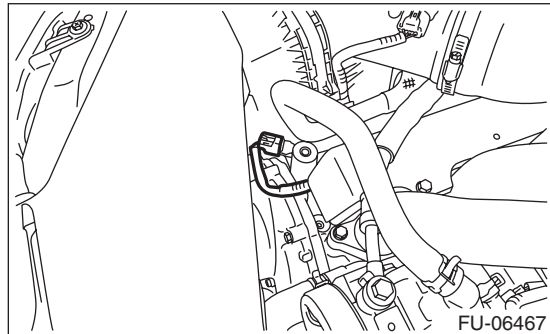
NOTE:

Follow the steps below when removing the collector cover.

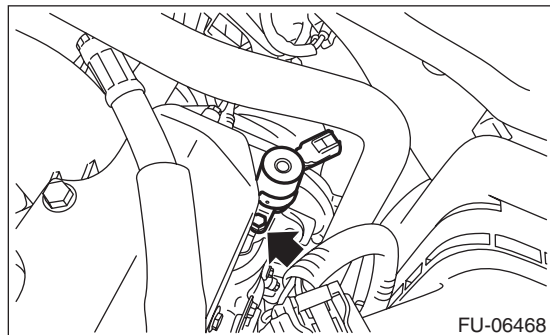
- (1) Pull up the two points at the rear (A).
- (2) Pull up the two points at the front (B) while moving them forward.



- 2) Disconnect the ground cable from battery.
- 3) Disconnect the connector from the intake oil flow control solenoid valve RH.



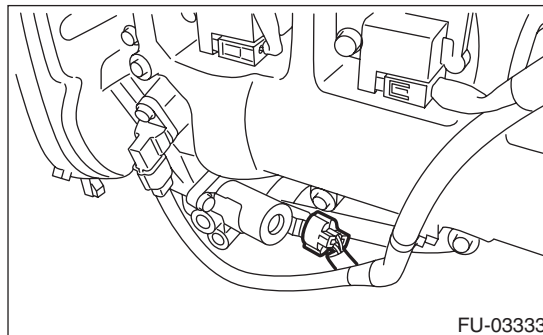
- 4) Remove the intake oil flow control solenoid valve RH.



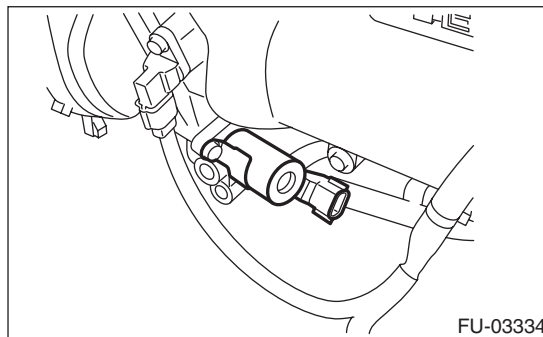
- 5) Remove the intake oil flow control solenoid valve LH in the same procedure as the intake oil flow control solenoid valve RH.

2. EXHAUST SIDE

- 1) Disconnect the ground cable from battery.
- 2) Lift up the vehicle.
- 3) Remove the under cover. <Ref. to EI-33, REMOVAL, Front Under Cover.>
- 4) Disconnect the connector from the exhaust oil flow control solenoid valve LH.



- 5) Remove the exhaust oil flow control solenoid valve LH.



- 6) Remove the exhaust oil flow control solenoid valve RH in the same procedure as the exhaust oil flow control solenoid valve LH.

B: INSTALLATION

1. INTAKE SIDE

Install in the reverse order of removal.

Tightening torque:

Intake oil flow control solenoid valve
6.4 N·m (0.7 kgf·m, 4.7 ft·lb)

2. EXHAUST SIDE

Tightening torque:

Exhaust oil flow control solenoid valve
6.4 N·m (0.7 kgf·m, 4.7 ft·lb)

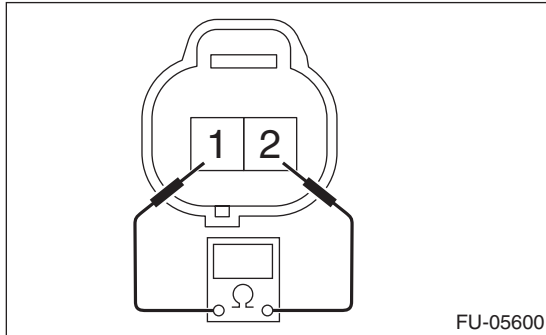
Oil Flow Control Solenoid Valve

FUEL INJECTION (FUEL SYSTEMS)

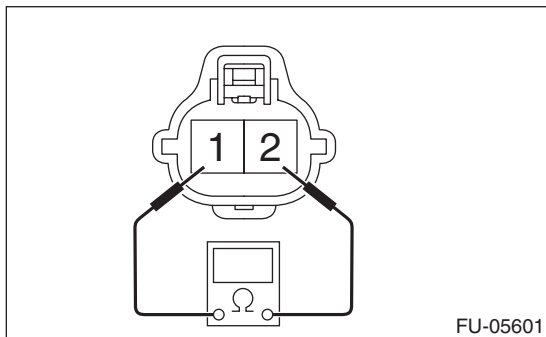
C: INSPECTION

- 1) Check that the oil flow control solenoid valve has no deformation, cracks or other damages.
- 2) Measure the resistance between the oil flow control solenoid valve terminals.

- Intake oil flow control solenoid valve



- Exhaust oil flow control solenoid valve



Terminal No.	Standard
1 and 2	$7.4 \pm 0.5 \Omega$ (when 20°C (68°F))