

## 4. Oil Pan

### A: REMOVAL

**NOTE:**

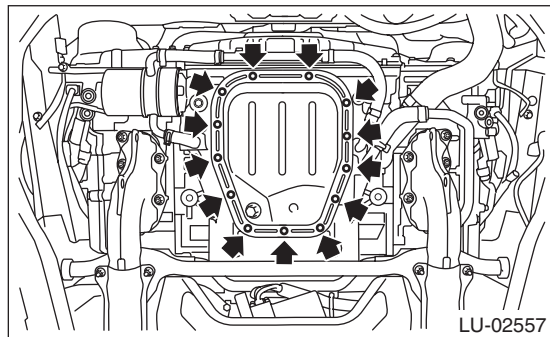
Before removing the oil pan upper, remove the engine from vehicle. <Ref. to ME(H6DO)-36, REMOVAL, Engine Assembly.> <Ref. to ME(H6DO)-105, REMOVAL, Cylinder Block.>

- 1) Lift up the vehicle.
- 2) Remove the under cover. <Ref. to EI-33, REMOVAL, Front Under Cover.>
- 3) Drain the engine oil. <Ref. to LU(H6DO)-10, REPLACEMENT, Engine Oil.>
- 4) Insert an oil pan cutter blade into the gap between oil pan upper and oil pan lower, and remove the oil pan.

**CAUTION:**

**Do not use a screwdriver or similar tool in place of oil pan cutter.**

- 5) Remove the oil pan lower.



### B: INSTALLATION

- 1) Apply liquid gasket to the mating surfaces of oil pan, and install the oil pan lower.

**NOTE:**

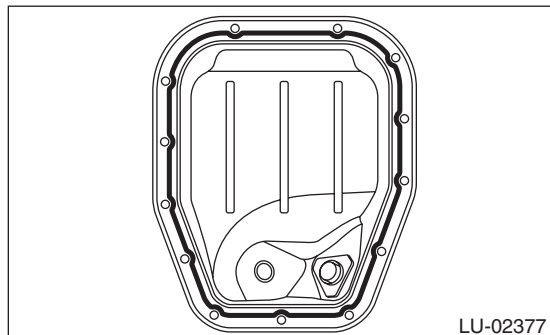
Install within 5 min. after applying liquid gasket.

**Liquid gasket:**

**THREE BOND 1217G (Part No. K0877Y0100) or equivalent**

**Liquid gasket applying diameter:**

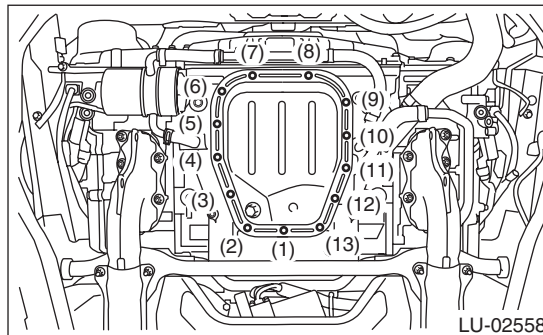
**5.0±1.0 mm (0.197±0.039 in)**



- 2) Tighten the oil pan lower installing bolts in the numerical order as shown in the figure.

**Tightening torque:**

**6.4 N·m (0.7 kgf·m, 4.7 ft·lb)**



- 3) Install the under cover. <Ref. to EI-33, INSTALLATION, Front Under Cover.>
- 4) Lower the vehicle.
- 5) Refill the engine oil. <Ref. to LU(H6DO)-10, REPLACEMENT, Engine Oil.>
- 6) Check the engine oil level. <Ref. to LU(H6DO)-10, INSPECTION, Engine Oil.>

### C: INSPECTION

Check that the oil pan upper and oil pan lower have no deformation, cracks or other damages.