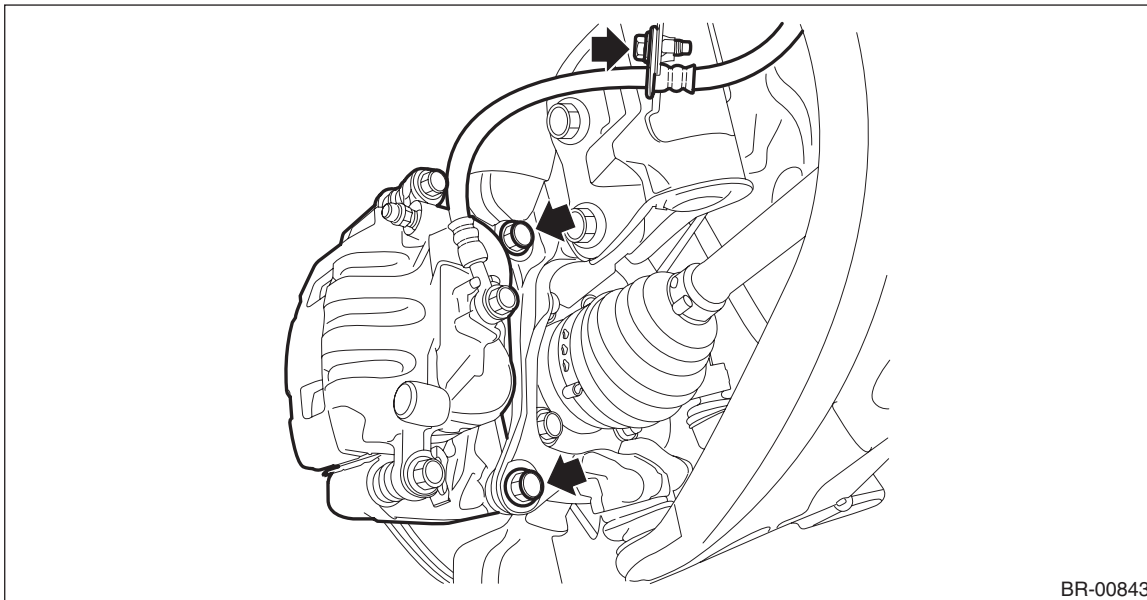


3. Front Disc Rotor

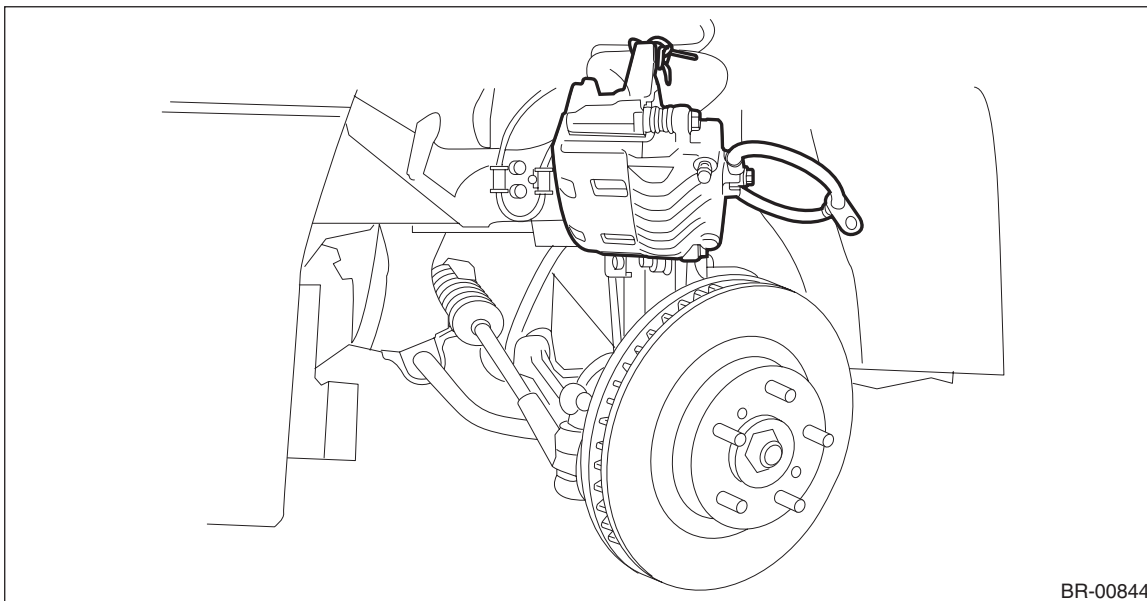
A: REMOVAL

- 1) Lift up the vehicle, and then remove the front wheels.
- 2) Remove the caliper body assembly from the front axle housing.
 - (1) Remove the bolt from the brake hose bracket.
 - (2) Remove the mounting bolt, and remove the caliper body assembly.



BR-00843

- (3) Prepare wiring harnesses etc. to be discarded, and suspend the caliper body assembly from the shock absorber with the harnesses.



BR-00844

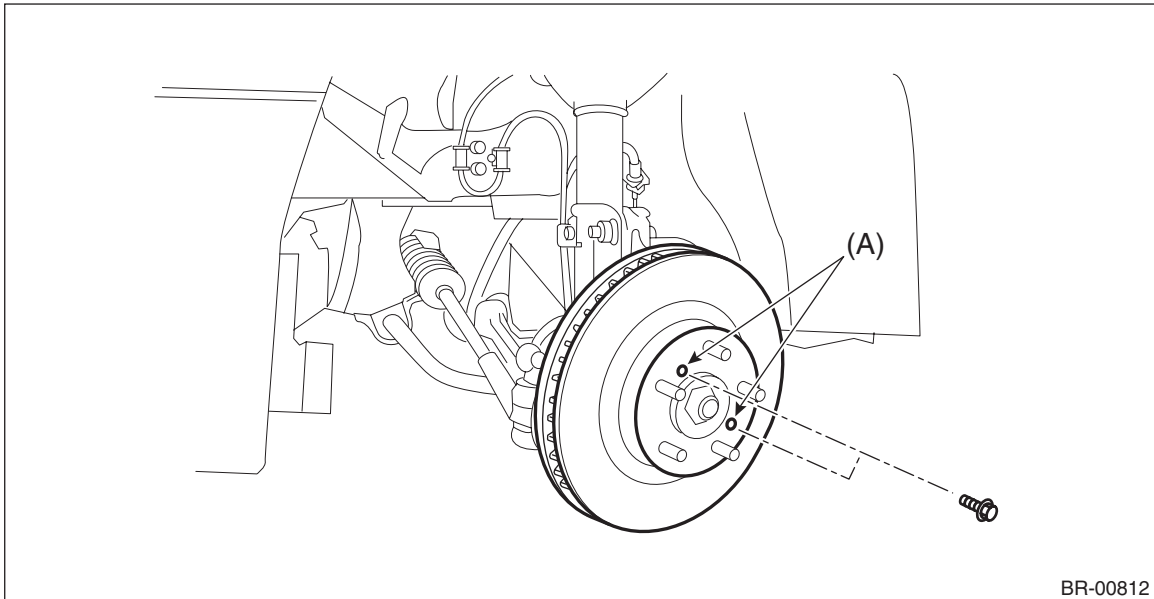
Front Disc Rotor

BRAKE

3) Remove the front disc rotor.

NOTE:

When the disc rotor is difficult to be removed from the front hub unit bearing, screw in 8 mm (0.31 in) bolt to the threaded part of the disc rotor (A), and remove the disc rotor.



BR-00812

B: INSTALLATION

NOTE:

Before installation, remove mud and foreign matter from the caliper body assembly.

- 1) Before installation, check the front disc rotor. <Ref. to BR-18, INSPECTION, Front Disc Rotor.>
- 2) Install each part in the reverse order of removal.

Tightening torque:

Brake hose bracket: 33 N·m (3.36 kgf-m, 24.3 ft-lb)

Mounting bolt: 120 N·m (12.24 kgf-m, 88.5 ft-lb)

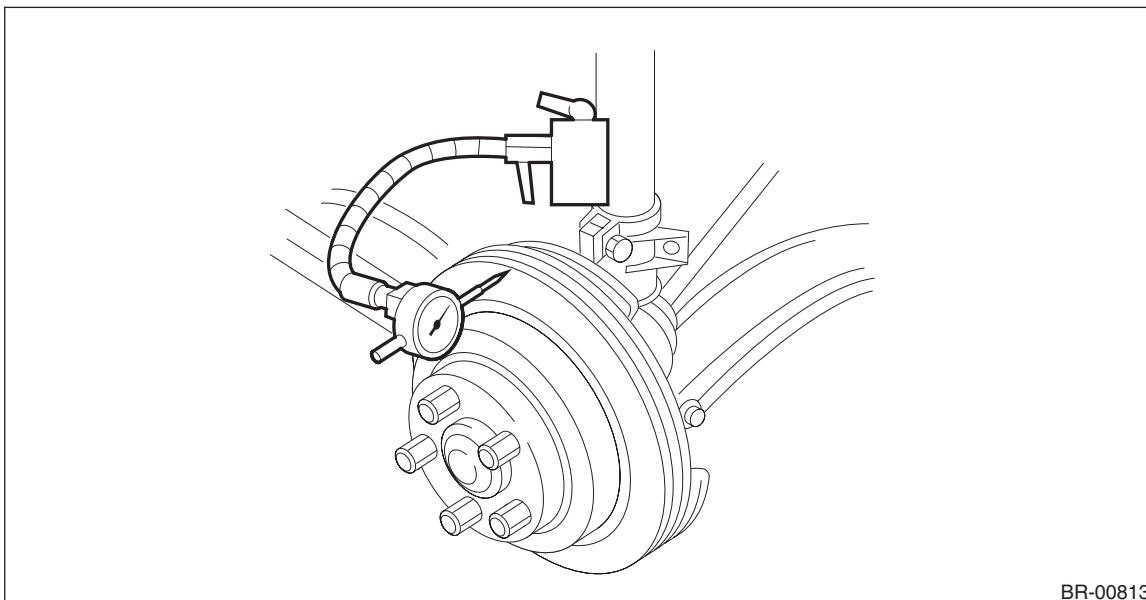
C: INSPECTION

1. DISC ROTOR RUNOUT CHECK

- 1) Check the front hub unit bearing for free play and runout before the inspection of disc rotor runout limit. <Ref. to DS-29, INSPECTION, Front Hub Unit Bearing.>
- 2) Tighten the wheel nuts to secure disc rotor.

3) Set a dial gauge 10 mm (0.39 in) inward from the disc rotor outer circumference, and check the disc rotor runout while rotating the disc rotor.

Disc rotor runout limit: 0.05 mm (0.0020 in)

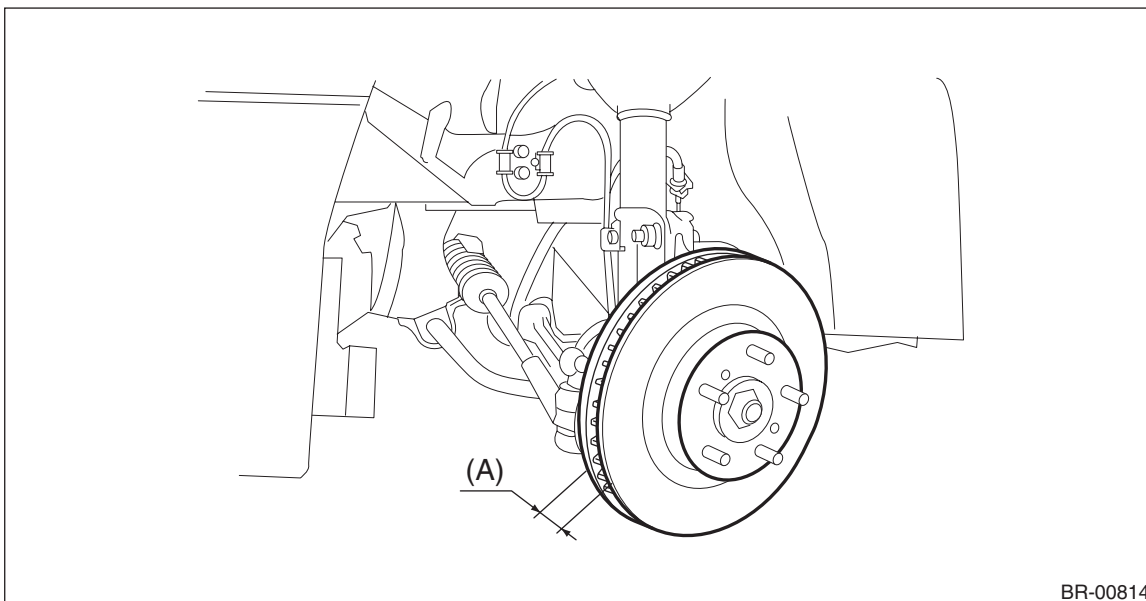


BR-00813

4) If the runout limit is exceeded in the inspection, replace the disc rotor.

2. DISC ROTOR THICKNESS CHECK

1) Set a micrometer 10 mm (0.39 in) inward from the disc rotor outer perimeter, and then measure the disc rotor thickness (A).



BR-00814

	Size	Standard	Wear limit	Disc rotor outer diameter
Disc rotor thickness (A)	16-inch	24 mm (0.94 in)	22 mm (0.87 in)	294 mm (11.57 in)
	17-inch	30 mm (1.18 in)	28 mm (1.10 in)	316 mm (12.44 in)

2) If the wear limit is exceeded in the inspection, replace the disc rotor.