

9. Brake Booster

A: REMOVAL

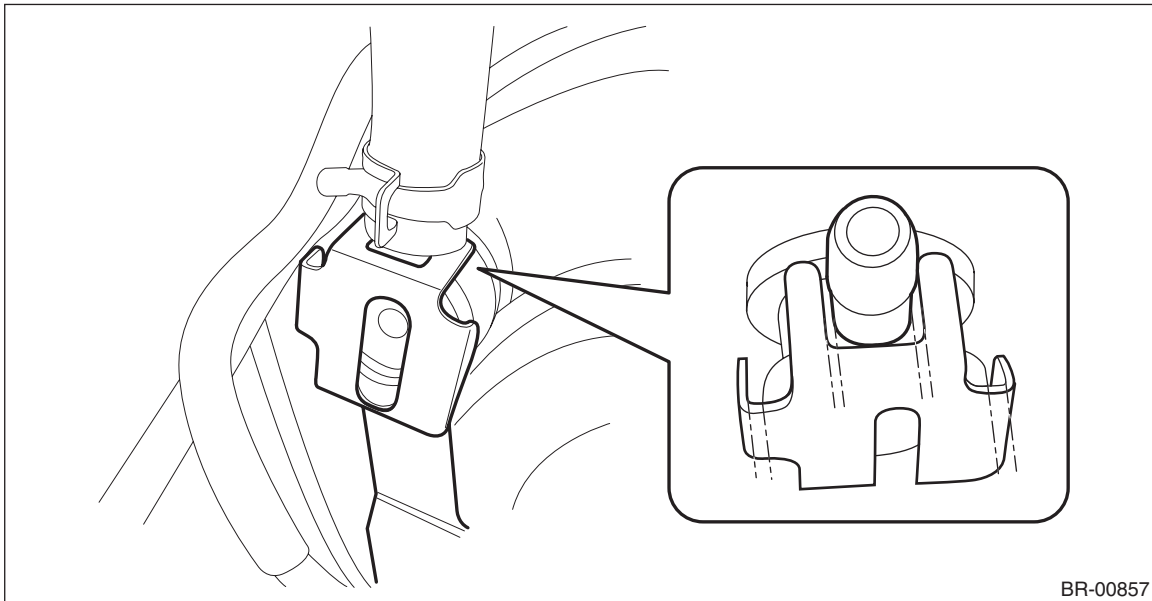
CAUTION:

Do not allow brake fluid to come in contact with the painted surface of the vehicle body. If it does, wash off with water and wipe away completely.

- 1) Disconnect the ground cable from battery.
- 2) Drain brake fluid from the reservoir tank completely.
- 3) Remove the master cylinder assembly.

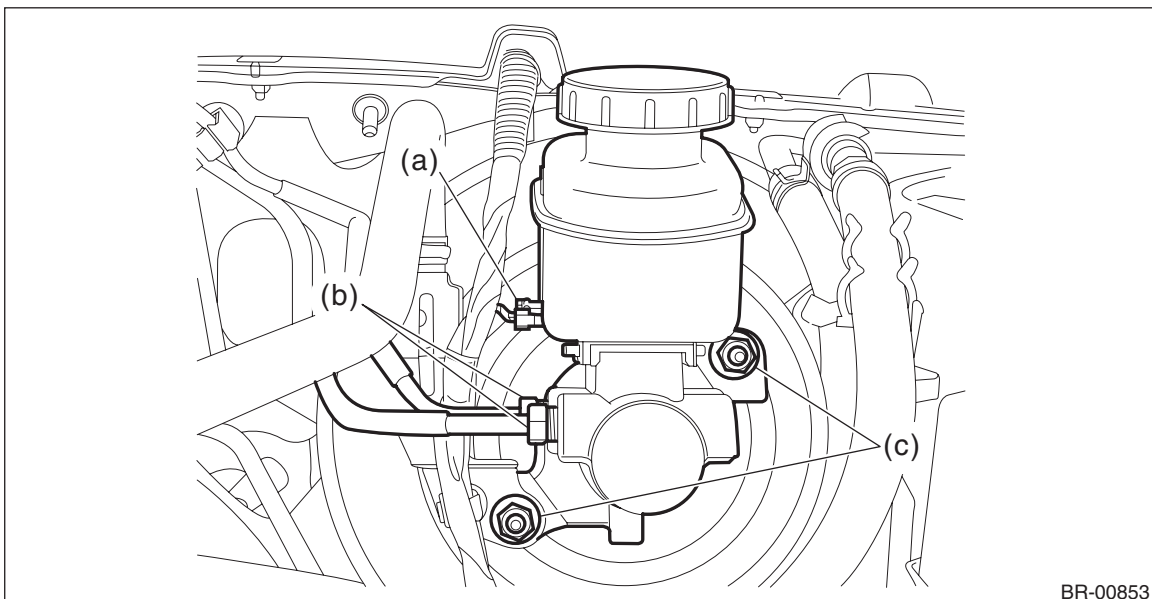
CAUTION:

In order to prevent the contact of the bracket and check valve, be sure to loosen the master cylinder mounting nut while holding the bracket with hand. Otherwise it may deform the bracket.



BR-00857

- (1) Disconnect the fluid level gauge connector (a).
- (2) Disconnect the brake pipe (b).
- (3) Remove the nut (c), and slowly remove the master cylinder from the brake booster.



BR-00853

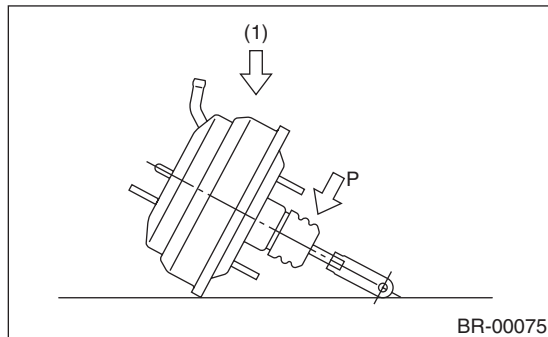
Brake Booster

BRAKE

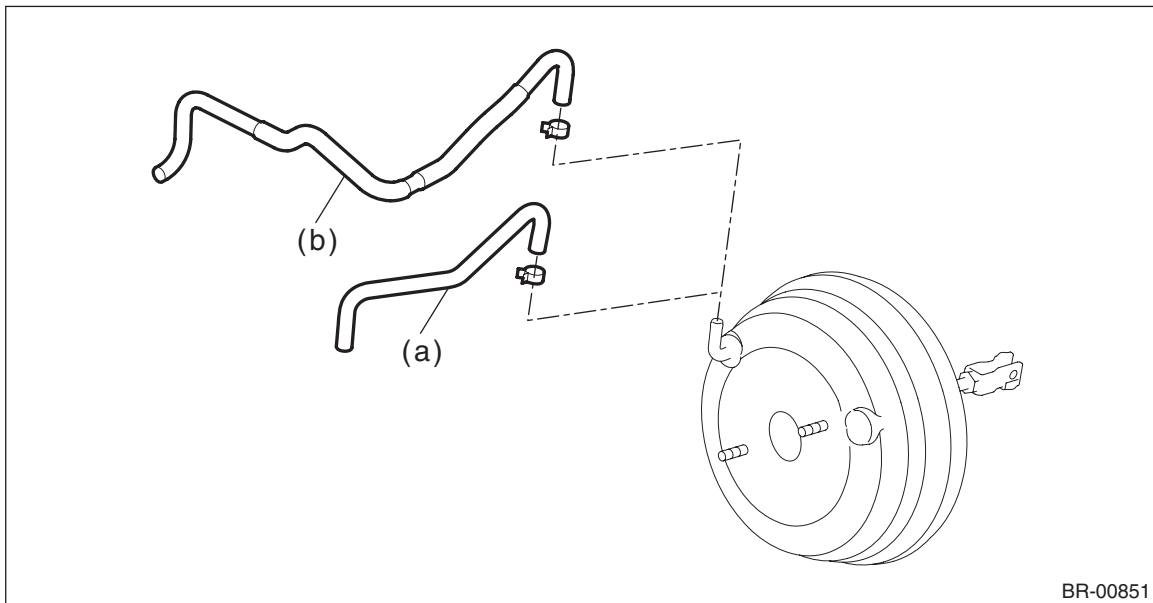
4) Remove the brake booster.

CAUTION:

- Do not disassemble the brake booster.
- If external force (1) is applied from above when brake booster is placed in this position, the resin portion as indicated by "P" may become damaged.



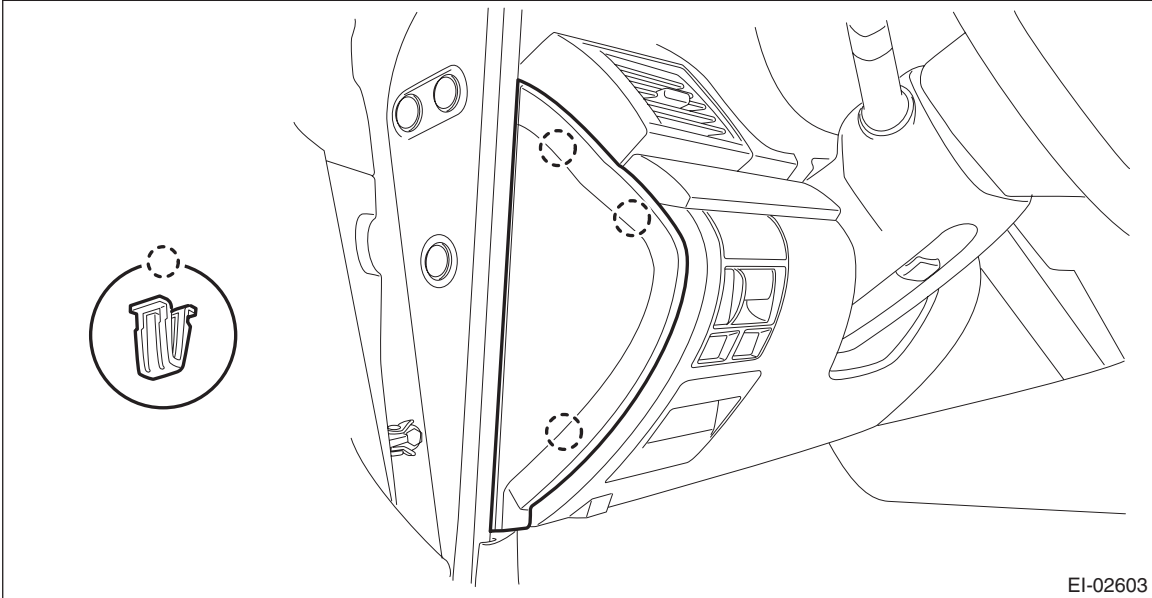
(1) Remove the clamp and remove the vacuum hose.



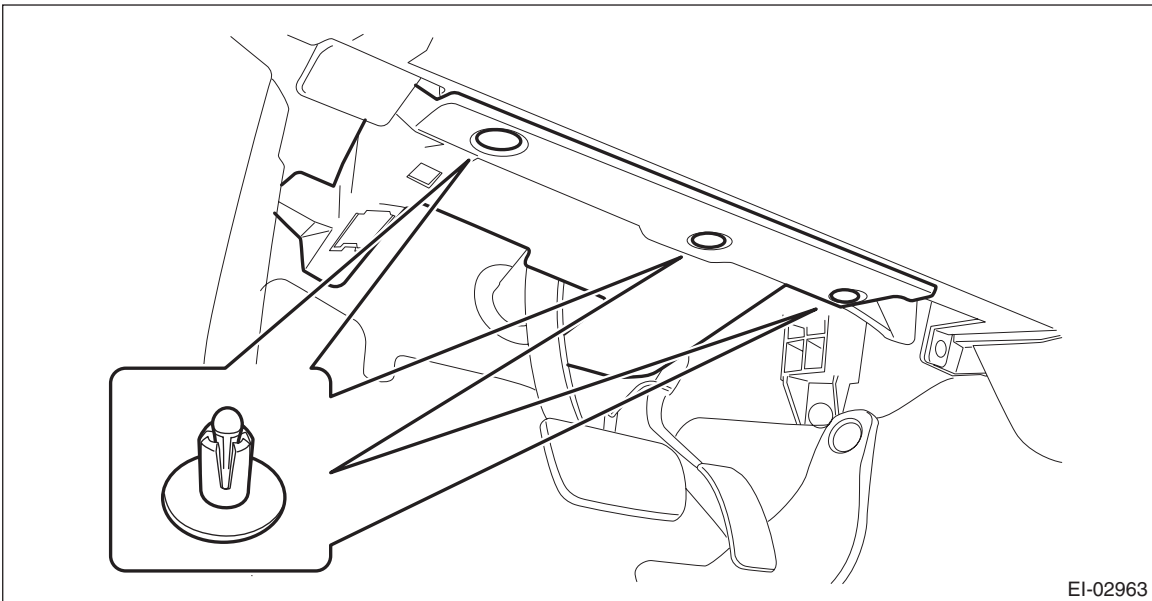
(a) Non-turbo model

(b) Turbo model

- (2) Remove the clips, and remove the instrument panel side cover LH.



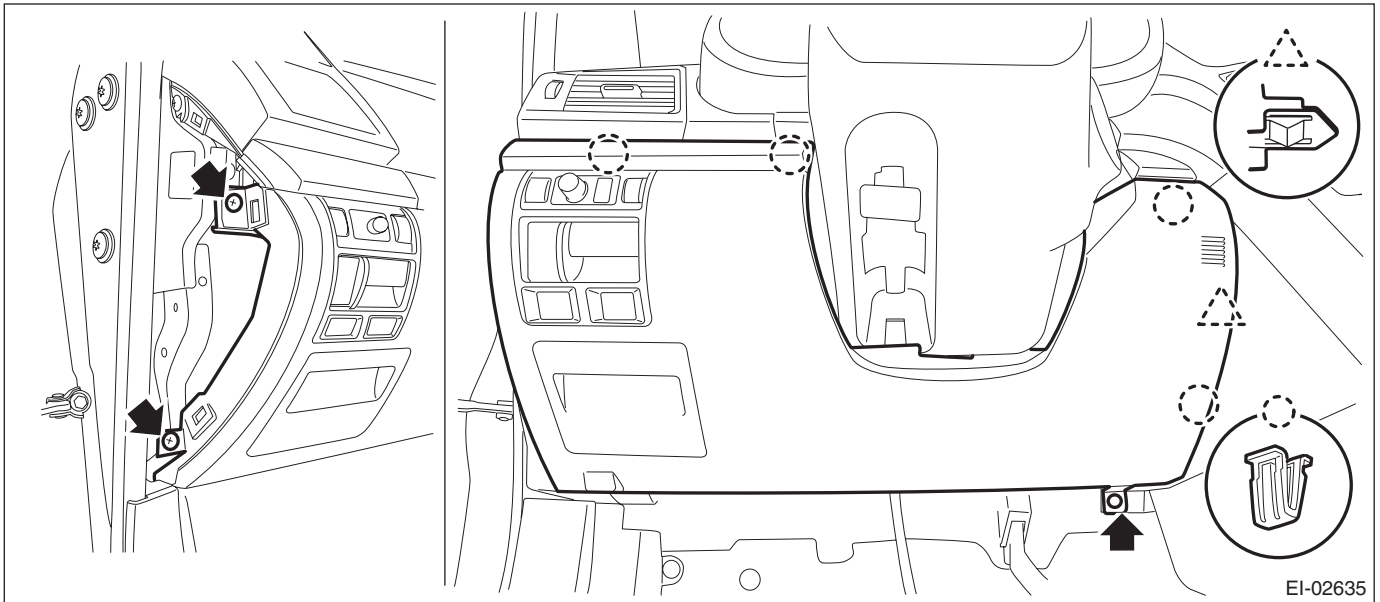
- (3) Remove the clips and data link connector, and remove the instrument panel lower cover under.



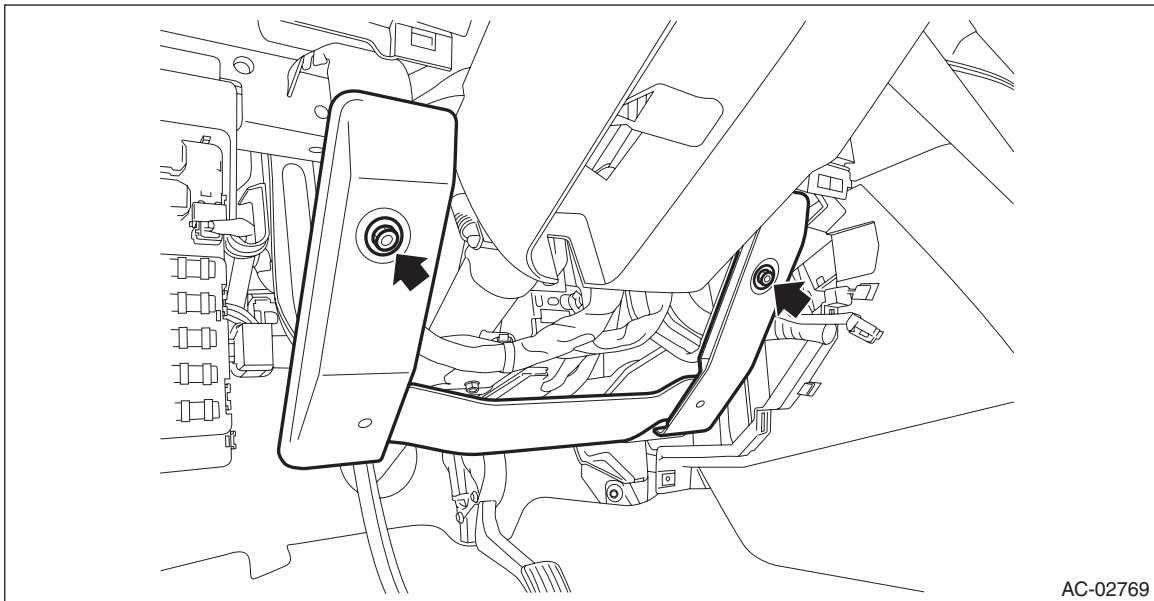
Brake Booster

BRAKE

(4) Remove the screws and clips and release the claws, and remove the instrument panel lower cover while disconnecting the harness connectors.



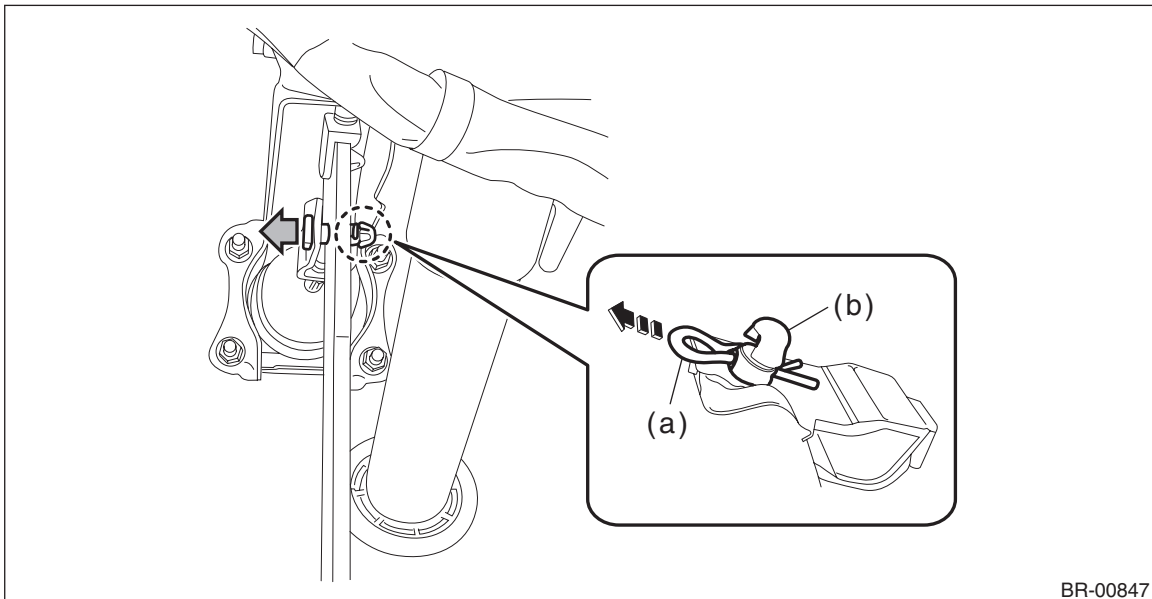
(5) Remove the bolts, and remove the knee guard panel.



(6) Remove the snap pin (a) and clevis pin (b), and remove the operating rod from the brake pedal.

NOTE:

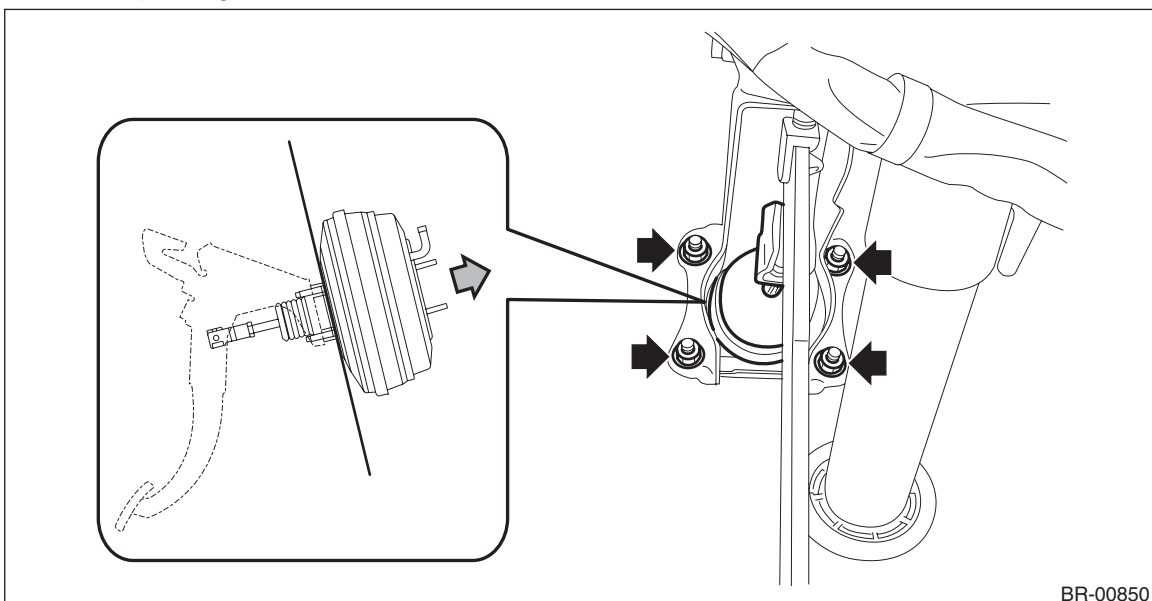
- Use special care when handling the operating rod. If excessive force is applied to the operating rod, the angle may change by $\pm 3^\circ$, and it may result in damage to power piston cylinder.
- Do not change the push rod length.



(7) Remove the nut and remove the brake booster.

NOTE:

- Make sure that the booster shell and vacuum pipe are not subject to strong impacts.
- Be careful not to drop the brake booster. If the brake booster is dropped accidentally, replace it.
- Be careful when placing the brake booster on floor.



Brake Booster

BRAKE

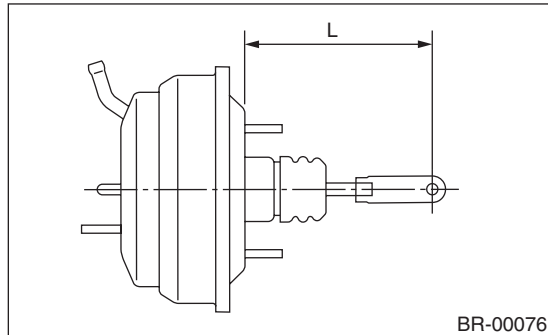
B: INSTALLATION

1) Check and adjust the operating rod of the brake booster.

- (1) Measure the length between the brake booster mounting surface and clevis pin hole.
- (2) If it is not within specification, loosen the lock nut, rotate the brake booster operating rod to adjust the rod length.

Specification L:

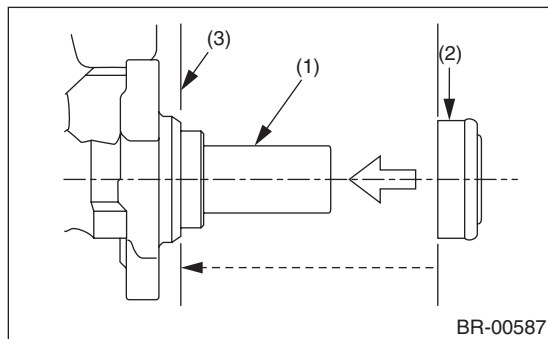
136.5 mm (5.37 in)



2) Install each part in the reverse order of removal.

CAUTION:

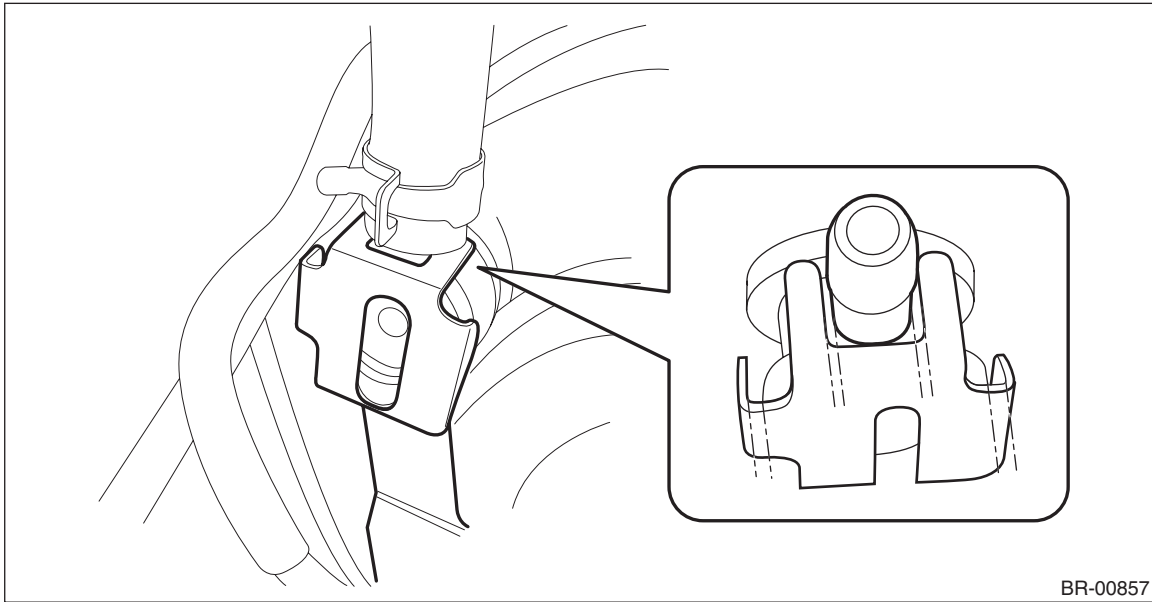
- Apply grease to the snap pin to prevent the operating rod from wear.
- Replace the clevis pin with new parts, and apply thin coat of NIGTIGHT LYW No. 2 grease to the clevis pin.
- When installing the master cylinder assembly, replace the seal sub assembly with a new part, and install it to the brake booster.



- (1) Primary piston
- (2) Seal sub ASSY
- (3) Install the seal sub assembly to this surface.

- Install the bracket at the position with sufficient clearance that it does not contact with the check valve.

- Be sure to loosen the master cylinder mounting nut while holding the bracket with hand. Otherwise the bracket may deform.



Tightening torque:

Brake booster: 18 N·m (1.84 kgf-m, 13.3 ft-lb)

Master cylinder: 13 N·m (1.33 kgf-m, 9.6 ft-lb)

Brake pipe flare nut: 19 N·m (1.94 kgf-m, 14.0 ft-lb)

Operating lock nut: 22 N·m (2.24 kgf-m, 16.2 ft-lb)

- 3) Bleed air from the brake system. <Ref. to BR-52, PROCEDURE, Air Bleeding.>
- 4) Perform a road test to make sure the brakes do not drag.

C: INSPECTION

1. OPERATION CHECK (WITHOUT GAUGES)

CAUTION:

When checking operation, be sure to apply the parking brake securely.

- Check without gauges

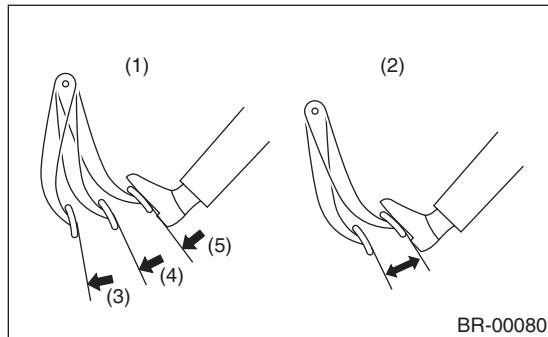
This method can not determine exactly what part is defective. But it is possible to identify the outline of the defect by performing the check according to the following procedures.

Brake Booster

BRAKE

• Air tightness check

Start the engine, and idle it for 1 to 2 minutes, then turn it OFF. Depress the brake pedal several times applying the normal pedal force. The pedal stroke should be the longest at the 1st depression, and it should become shorter at each successive depression. If no change occurs in the pedal height when pressed, the brake booster is faulty.



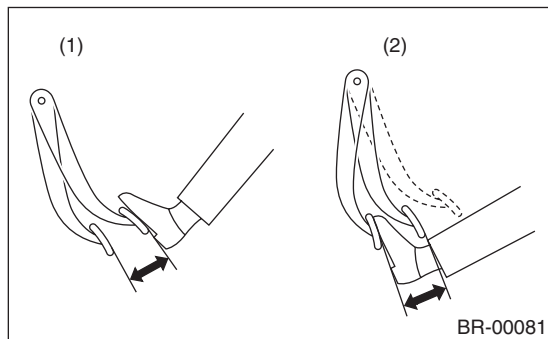
- (1) Normal
- (2) Not OK
- (3) 1st
- (4) 2nd
- (5) 3rd

NOTE:

- In case of defective operation, inspect the condition of the check valve and vacuum hose as well.
- Replace them if faulty, and perform the test again.
- If no improvement is observed, check precisely with gauges.

• Check operation

1) While the engine is OFF, depress the brake pedal several times applying the same pedal force, to check for a change in pedal height.



- (1) When engine is stopped
- (2) When engine is started

2) With the brake pedal depressed, start the engine.

3) As the engine starts, the brake pedal should move slowly toward the floor. If the pedal height does not change, the brake booster is faulty.

NOTE:

If faulty, check precisely with gauges.

• Loaded air tightness check

Depress the brake pedal while the engine is running, and turn the engine to OFF while the pedal is depressed. Keep the pedal depressed for 30 seconds. If the pedal height does not change, the function of brake booster is normal. If the pedal height increases, it is faulty.

NOTE:

If faulty, check precisely with gauges.

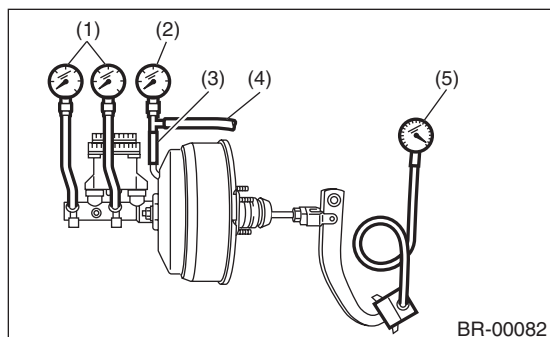
2. OPERATION CHECK (WITH GAUGES)

CAUTION:

When checking operation, be sure to apply the parking brake securely.

• Check with gauge

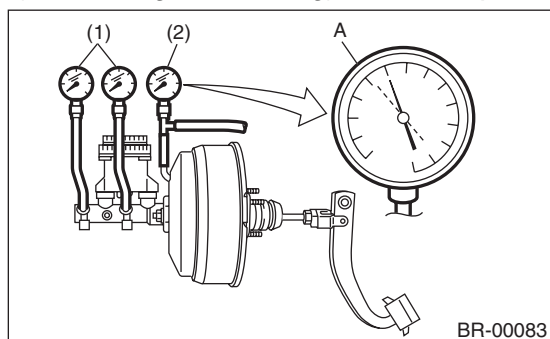
Connect the gauge as shown in the figure. After bleeding air from the pressure gauge, perform each check.



- (1) Pressure gauge
- (2) Vacuum gauge
- (3) Adapter hose
- (4) Vacuum hose
- (5) Pedal force gauge

• Air tightness check

1) Start the engine and keep it running until vacuum pressure indicates point A of the vacuum gauge = 66.7 kPa (500 mmHg, 19.69 inHg). Do not depress the brake pedal at this time.



- (1) Pressure gauge
- (2) Vacuum gauge

Brake Booster

BRAKE

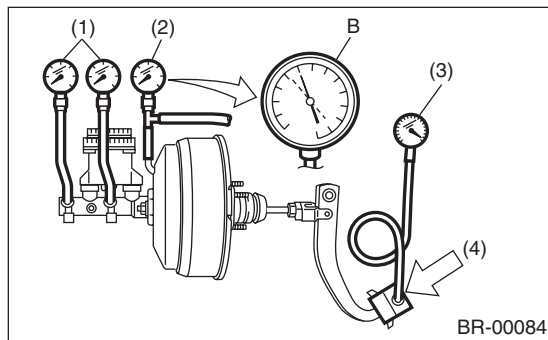
2) Stop the engine and check the gauge. If the vacuum pressure drop within 15 seconds after stopping the engine is 3.3 kPa (25 mmHg, 0.98 inHg) or less, the function of brake booster is normal.

If faulty, the cause may be one of the following.

- Check valve malfunction
- Leak from vacuum hose
- Leak from shell joint section or stud bolt welded section
- Damaged diaphragm
- Leak from valve body seal and bearing section
- Leak from plate and seal assembly section
- Leak from poppet valve assembly section

• Loaded air tightness check

1) Start the engine and depress the brake pedal with a pedal force of 196 N (20 kgf, 44 lbf). Keep the engine running and keep the pedal pressed until a vacuum of point B = 66.7 kPa (500 mmHg, 19.69 inHg) is indicated on the vacuum gauge.



- (1) Pressure gauge
- (2) Vacuum gauge
- (3) Pedal force gauge
- (4) Depressed

2) Stop the engine and check the vacuum gauge.

If the vacuum pressure drop within 15 seconds after stopping the engine is 3.3 kPa (25 mmHg, 0.98 inHg) or less, the function of brake booster is normal.

If defective, refer to "AIR TIGHTNESS CHECK".

<Ref. to BR-47, INSPECTION, Brake Booster.>

3) If the brake booster is faulty, replace it with a new part.

• Lack of boost action check

Turn the engine OFF, and set the value of the vacuum gauge to "0". Then, check the fluid pressure when the brake pedal is depressed. The pressure must be greater than the specification listed.

Brake pedal operation force	N (kgf, lbf)	147 (15, 33)	294 (30, 66)
Fluid pressure	kPa (kgf/cm ² , psi)	533 (5, 77)	1,551 (16, 225)

• Boosting action check

Set the vacuum gauge reading to 66.7 kPa (500 mmHg, 19.69 inHg) with the engine running. Then, check the fluid pressure when the brake pedal is depressed. The pressure must be greater than the specification listed.

Brake pedal operation force	N (kgf, lbf)	147 (15, 33)	294 (30, 66)
Fluid pressure	kPa (kgf/cm ² , psi)	6,177 (63, 896)	11,273 (115, 1,635)