

Differential Gear Oil

DIFFERENTIALS

2. Differential Gear Oil

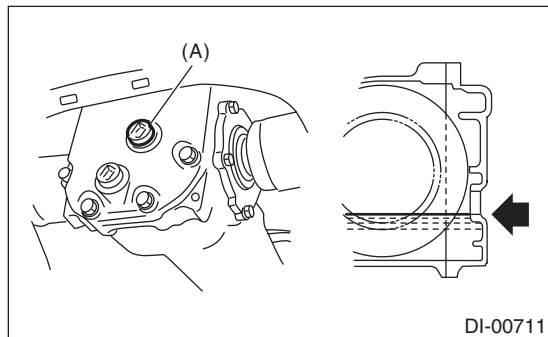
A: INSPECTION

- 1) Lift up the vehicle.
- 2) Remove the filler plug, and then check the gear oil. Replace the gear oil if it is contaminated, deteriorated or cloudy. <Ref. to DI-22, REPLACEMENT, Differential Gear Oil.>
- 3) Check that the gear oil level is within -5 mm (-0.2 in) from the bottom of the filler plug hole. If the level is low, make sure that there is no oil leakage and refill up to the bottom of filler plug hole.

NOTE:

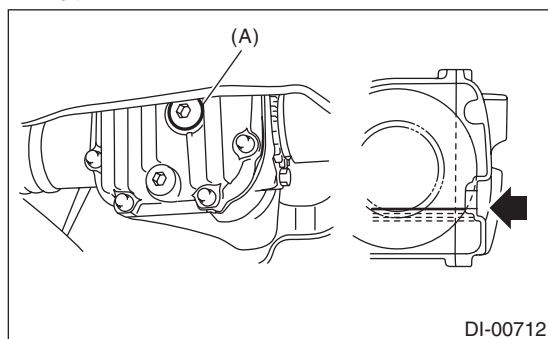
On VA1-types at factory settings, the oil level may be within -14 mm (-0.6 in) from the bottom of the filler plug. This is at normal level, requiring no oil refill.

- T-type



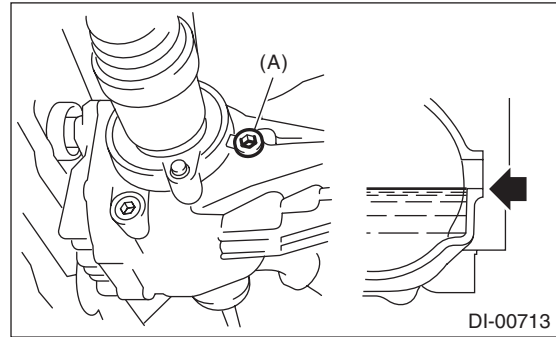
(A) Filler plug

- VA1-type



(A) Filler plug

- VA2-type



(A) Filler plug

- 4) Install the filler plug.

NOTE:

- For the T-type, apply liquid gasket to the filler plug.

Liquid gasket:

THREE BOND 1105 (Part No. 004403010) or equivalent

- For VA type, use a new gasket.

Tightening torque:

T-type:

49 N·m (5.0 kgf·m, 36.1 ft·lb)

VA-type:

50 N·m (5.1 kgf·m, 36.9 ft·lb)

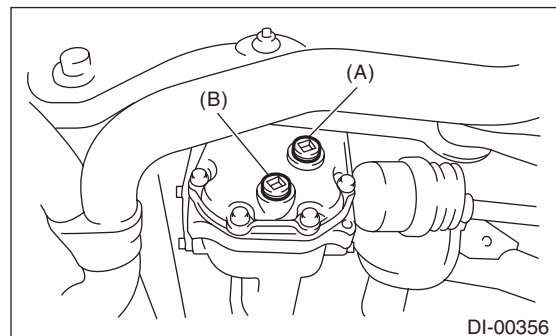
B: REPLACEMENT

CAUTION:

- Gear oil is extremely hot just after driving. Be wary of receiving burns.
- Be careful not to spill the differential gear oil on exhaust pipe. If gear oil is spilled, wipe it off completely.

- 1) Lift up the vehicle.
- 2) Remove the drain plug and filler plug, and drain the gear oil.

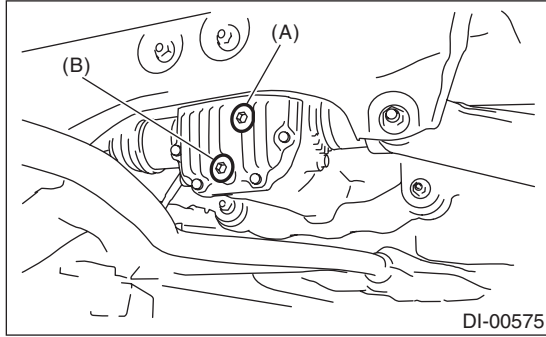
- T-type



(A) Filler plug

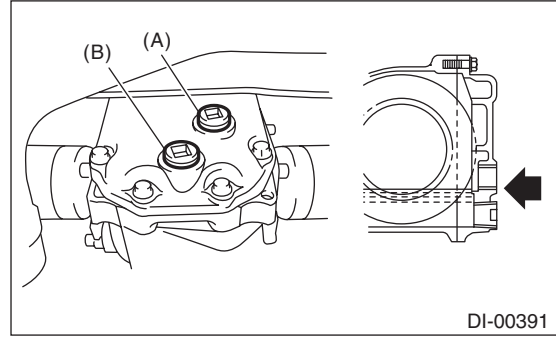
(B) Drain plug

- VA1-type



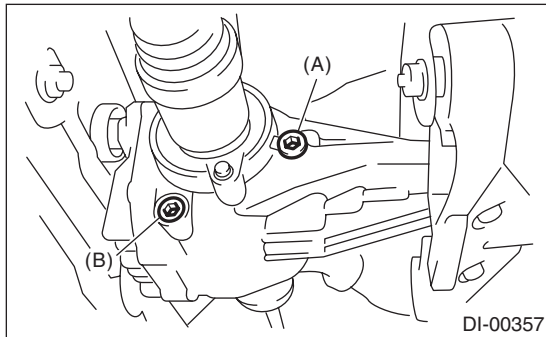
- (A) Filler plug
- (B) Drain plug

- T-type



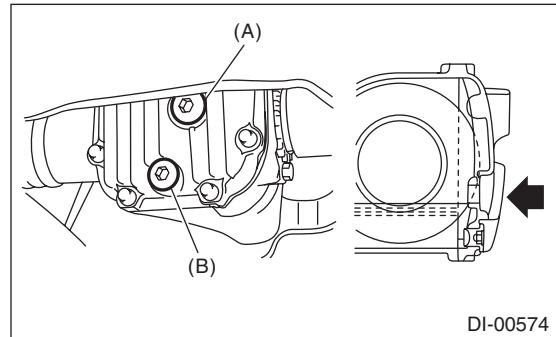
- (A) Filler plug
- (B) Drain plug

- VA2-type



- (A) Filler plug
- (B) Drain plug

- VA1-type



- (A) Filler plug
- (B) Drain plug

3) Tighten the drain plug.

NOTE:

- For the T-type, apply liquid gasket to the drain plug.

Liquid gasket:

THREE BOND 1105 (Part No. 004403010) or equivalent

- For VA type, use a new gasket.

Tightening torque:

T-type

49 N·m (5.0 kgf·m, 36.1 ft·lb)

VA-type:

50 N·m (5.1 kgf·m, 36.9 ft·lb)

4) Fill the differential carrier with gear oil to the bottom of filler plug.

NOTE:

Carefully refill gear oil while watching the level. Excessive or insufficient oil must be avoided.

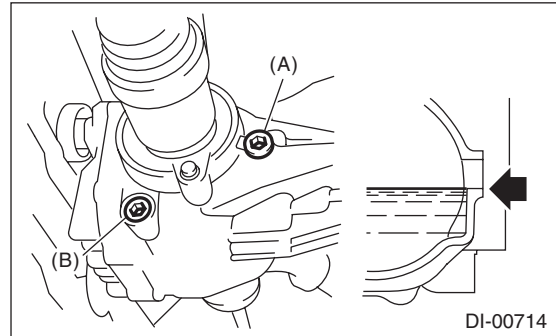
Recommended gear oil:

<Ref. to DI-2, SPECIFICATION, General Description.>

Oil capacity:

0.8 L (0.8 US qt, 0.7 Imp qt)

- VA2-type



- (A) Filler plug
- (B) Drain plug

Differential Gear Oil

DIFFERENTIALS

5) Install the filler plug.

NOTE:

- For the T-type, apply liquid gasket to the filler plug.

Liquid gasket:

THREE BOND 1105 (Part No. 004403010) or equivalent

- For VA type, use a new gasket.

Tightening torque:

T-type:

49 N·m (5.0 kgf-m, 36.1 ft-lb)

VA-type:

50 N·m (5.1 kgf-m, 36.9 ft-lb)