

7. Rear Differential Side Oil Seal

A: INSPECTION

Make sure that there is no leakage from side oil seal. If there is any leakage, replace the oil seal.

B: REPLACEMENT

1) Remove the rear differential. <Ref. to DI-26, REMOVAL, Rear Differential (T-type).> <Ref. to DI-45, REMOVAL, Rear Differential (VA-type).>

2) Remove the rear differential side oil seal using a ST or screwdriver wrapped with vinyl tape to prevent the side retainer from scratching.

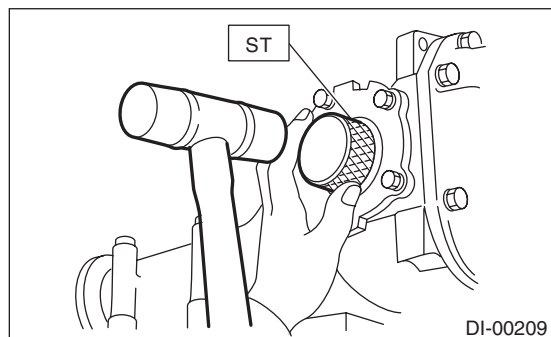
ST 398527700 PULLER ASSY

3) Using the ST, install the oil seal to the side retainer.

NOTE:

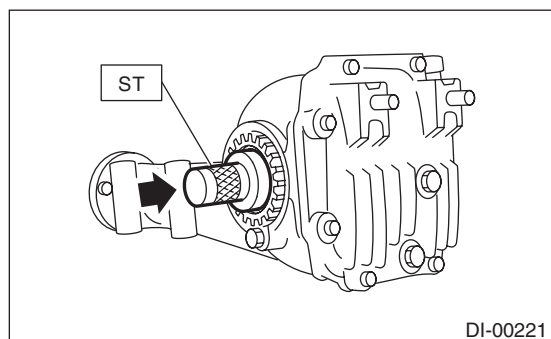
- Use a new oil seal.
- Apply differential gear oil to the oil seal lips.
- T-type and VA2-type

ST 398437700 DRIFT



- VA1-type

ST 498447100 INSTALLER



4) Install the rear differential. <Ref. to DI-28, INSTALLATION, Rear Differential (T-type).> <Ref. to DI-45, INSTALLATION, Rear Differential (VA-type).>