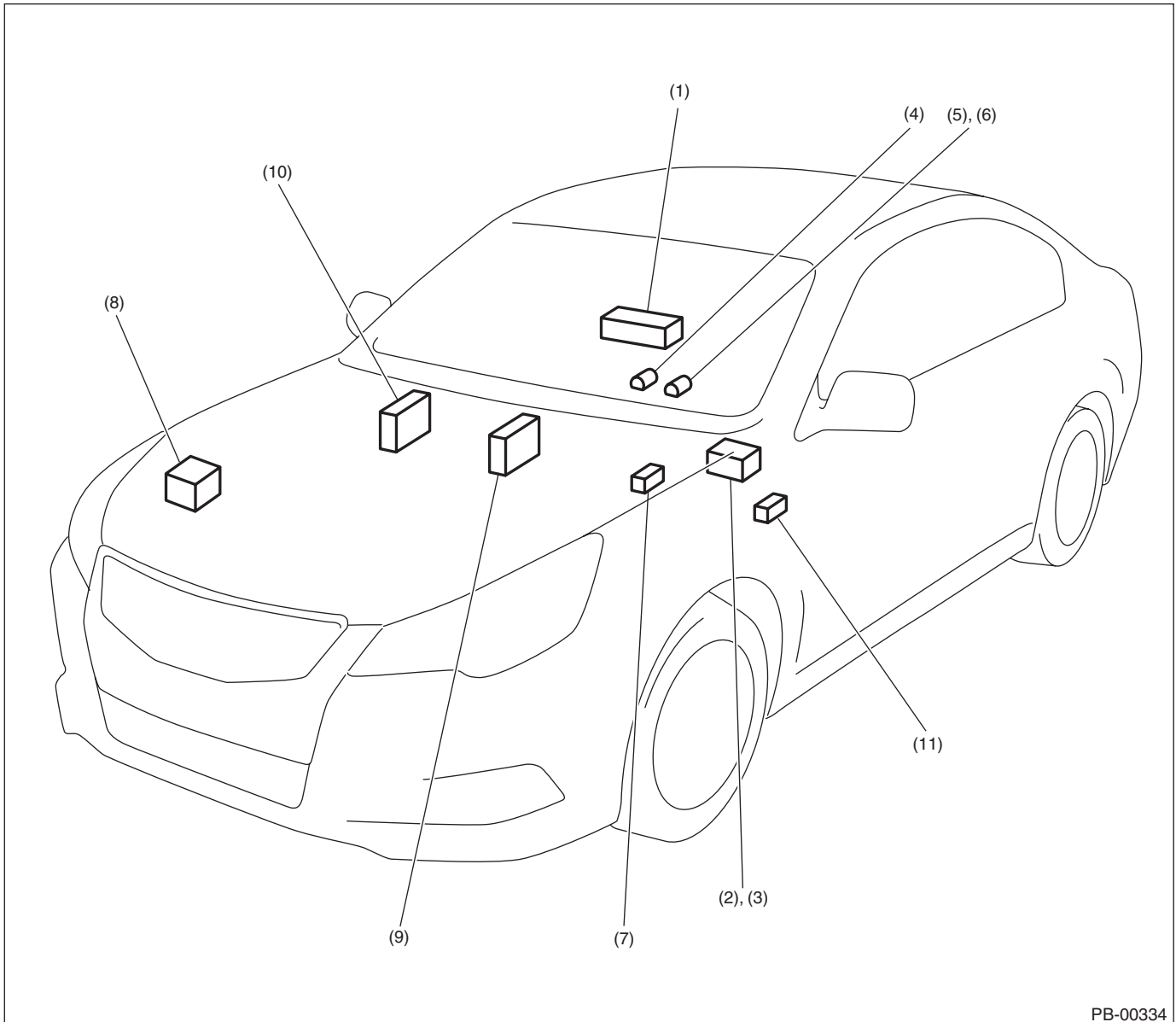


Electrical Component Location

PARKING BRAKE (DIAGNOSTICS)

4. Electrical Component Location

A: LOCATION

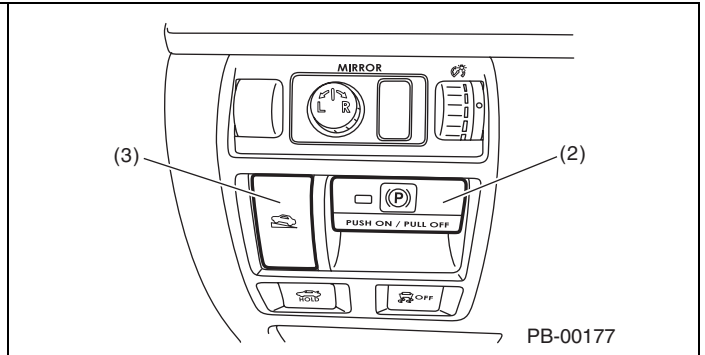
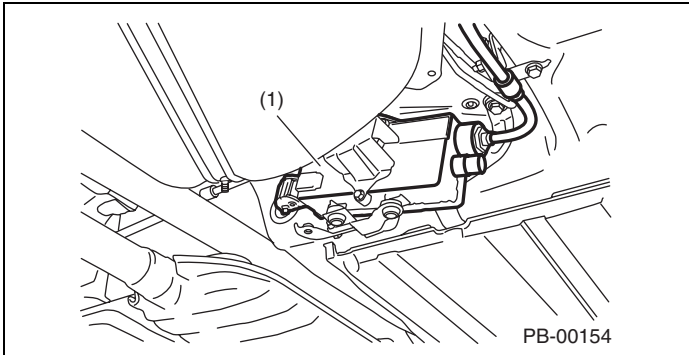


PB-00334

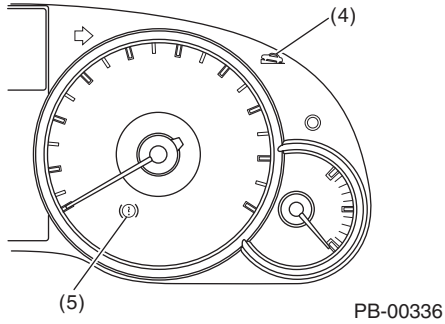
- | | | |
|---|---|----------------------------------|
| (1) Electronic parking brake control module | (5) Brake warning light (C0, C5 and C6 models) | (9) Body integrated unit |
| (2) Parking brake switch | (6) Brake warning light (U4, U5 and U6 models) | (10) Engine control module (ECM) |
| (3) Hill hold switch | (7) Clutch stroke sensor (MT model only) | (11) Data link connector |
| (4) Hill hold indicator light | (8) VDC control module and hydraulic control unit (VDCCM&H/U) | |

Electrical Component Location

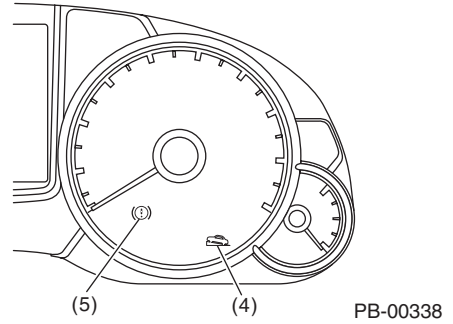
PARKING BRAKE (DIAGNOSTICS)



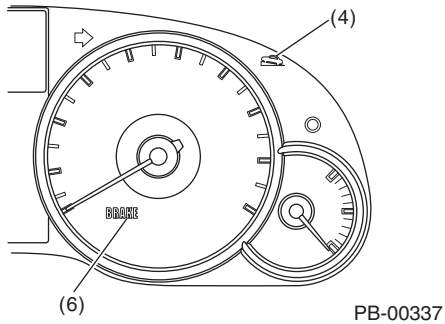
• Normal meter



• Luminescent meter



• Normal meter



• Luminescent meter

