

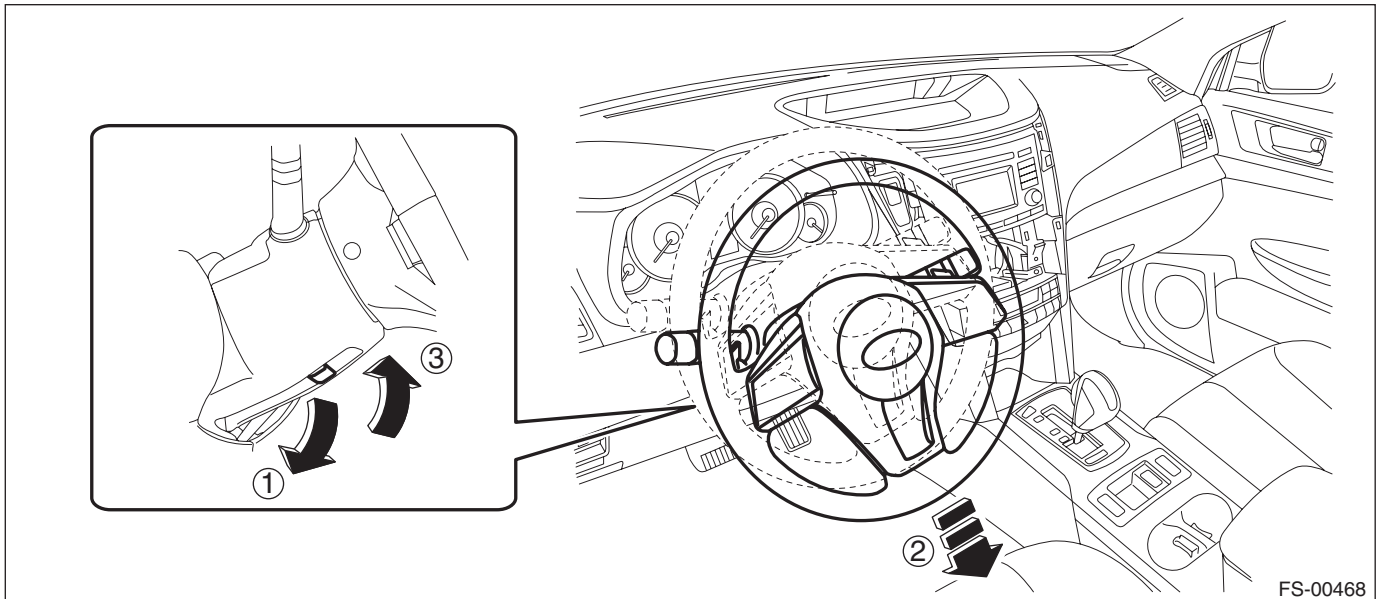
Steering Column

POWER ASSISTED SYSTEM (POWER STEERING)

4. Steering Column

A: REMOVAL

1) Adjust the tilt position to the lowest position and lock the tilt lever.

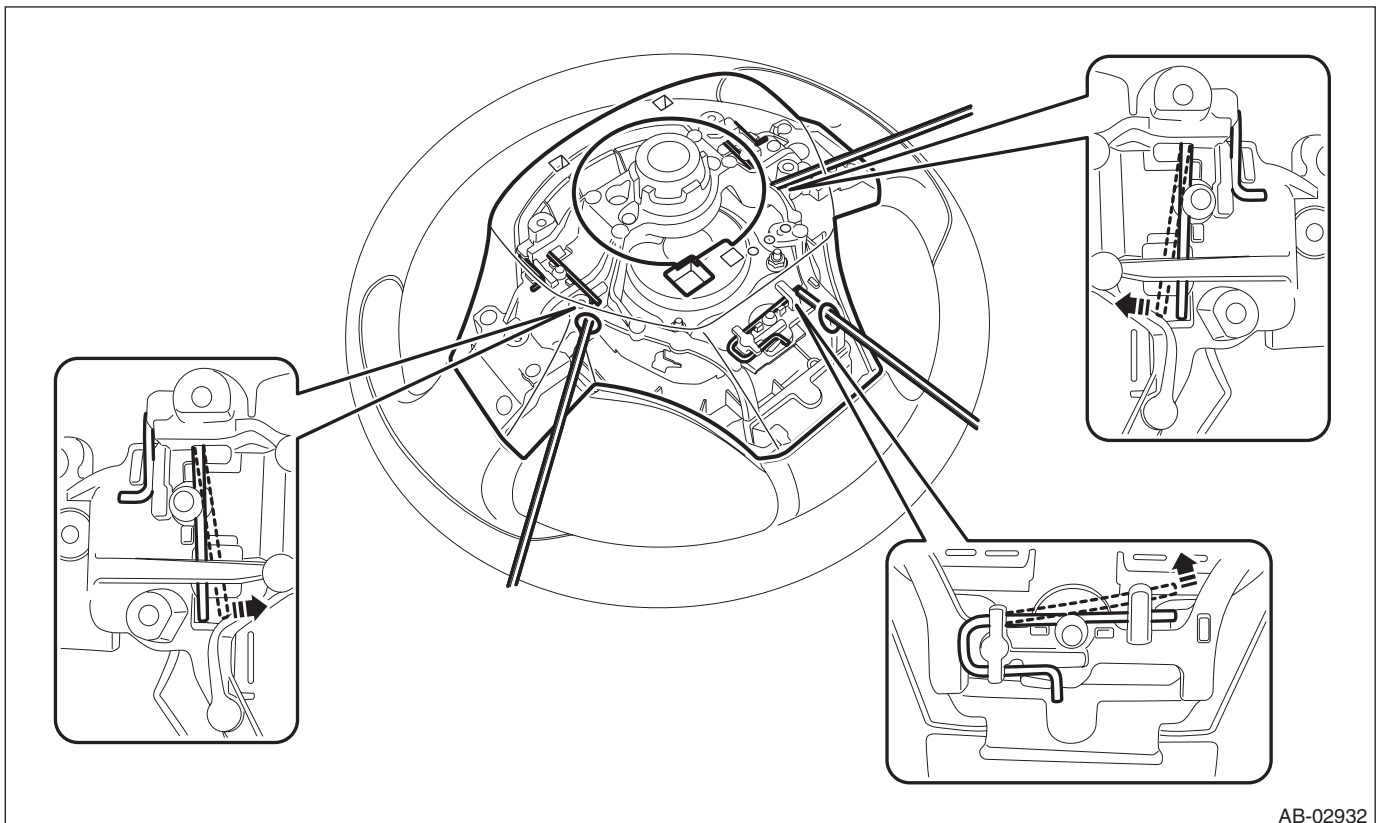


2) Remove the driver's airbag module assembly.

CAUTION:

Always refer to "CAUTION" of "General Description" in "AIRBAG SYSTEM" before performing service on the airbag module. <Ref. to AB-10, CAUTION, General Description.>

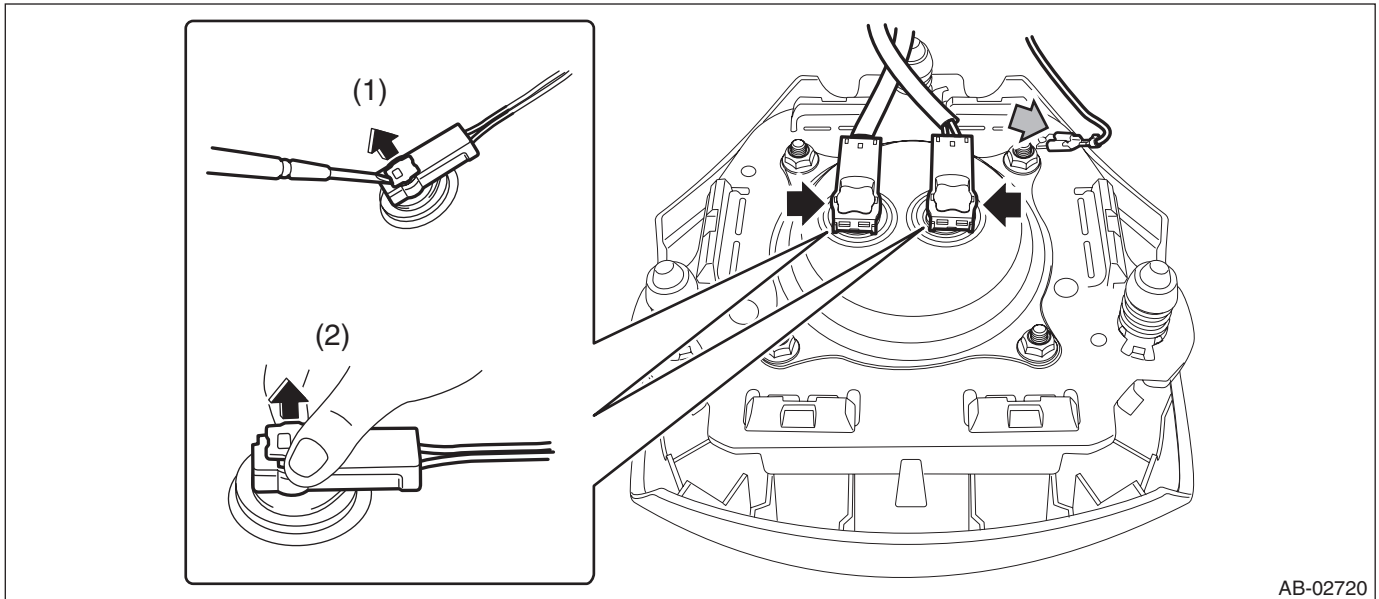
(1) Using a hexagon wrench etc. wrapped by protective tape, insert the snap pins and release the locks (3 locations).



Steering Column

POWER ASSISTED SYSTEM (POWER STEERING)

(2) Disconnect the horn harness and airbag connector and remove the airbag module assembly. <Ref. to AB-22, DRIVER'S AIRBAG MODULE, CURTAIN AIRBAG MODULE, PRETENSIONER & LAP SEAT BELT PRETENSIONER, PROCEDURE, Airbag Connector.>



3) Remove the steering wheel.

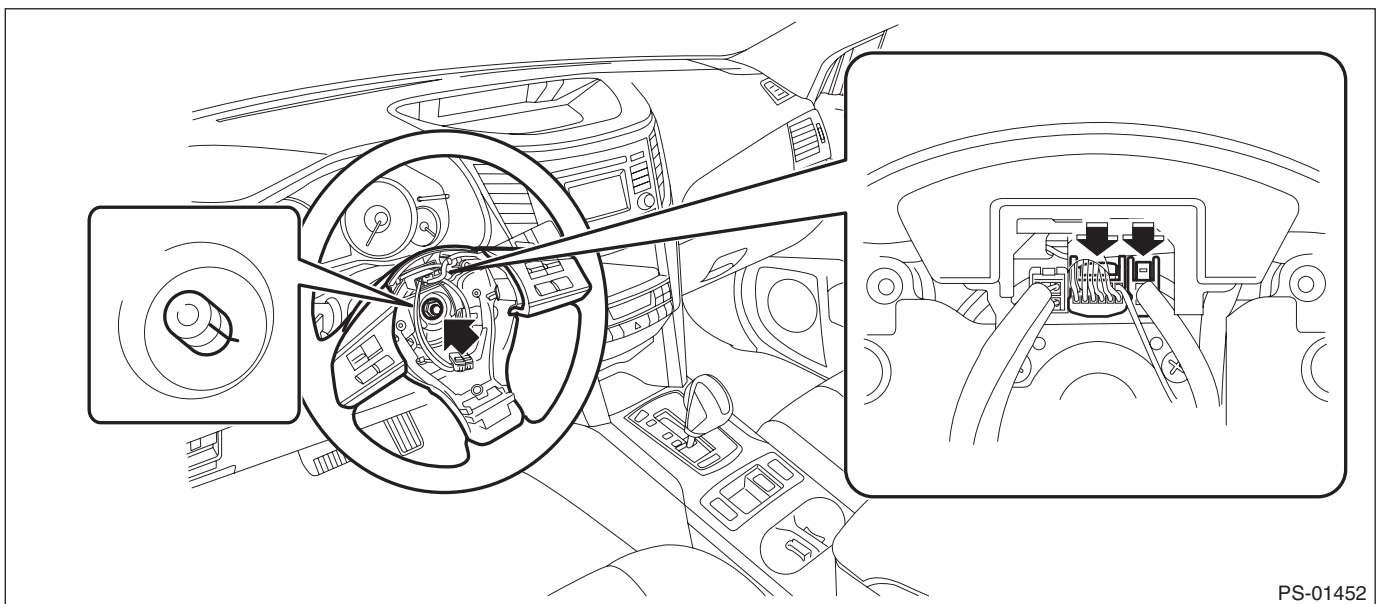
CAUTION:

- Always use the steering wheel puller for removal to avoid deforming the steering wheel.
- If the steering wheel has been removed, make sure that the roll connector is not turned from the original position.

- (1) Disconnect the connector and remove the nut.
- (2) Put alignment marks and remove the steering wheel.

Preparation tool:

Steering wheel puller



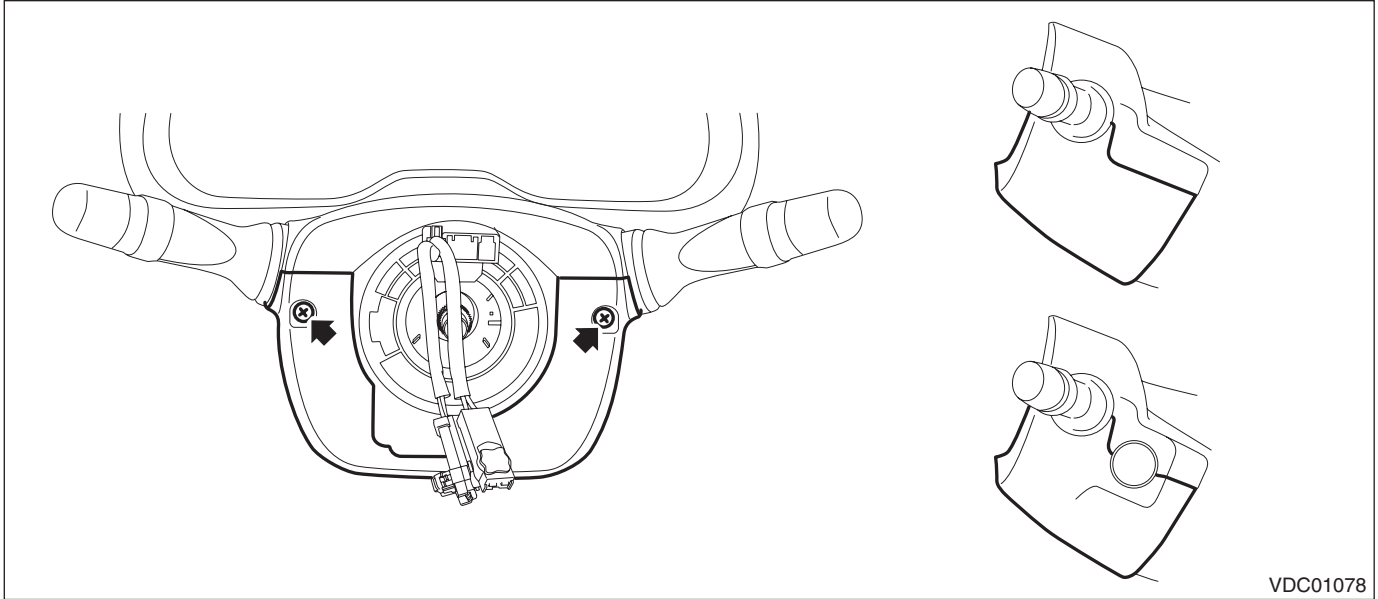
Steering Column

POWER ASSISTED SYSTEM (POWER STEERING)

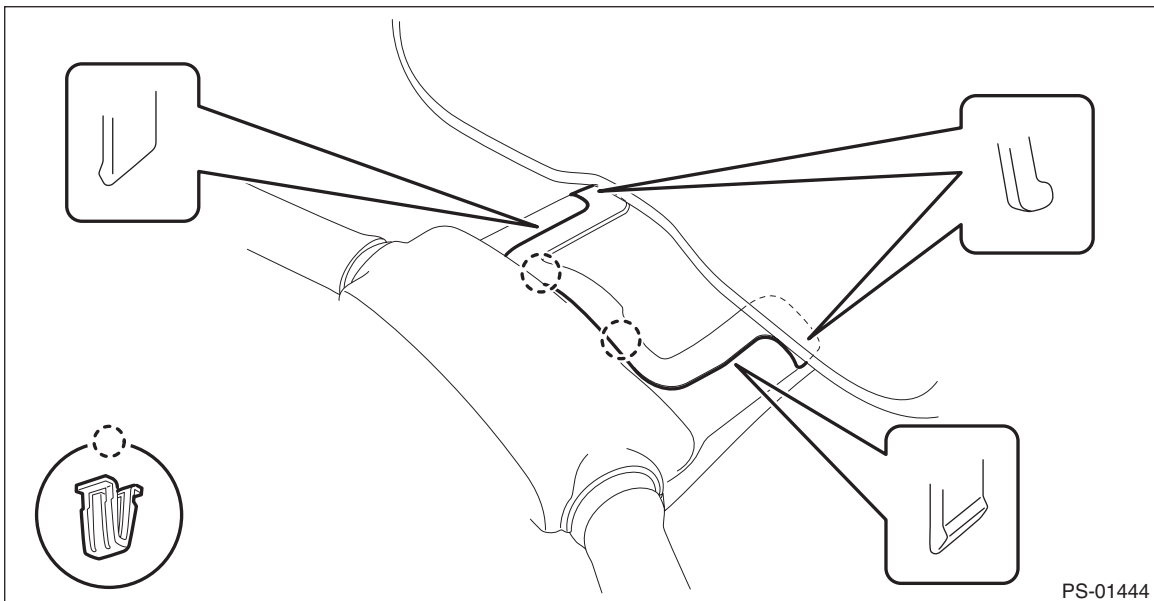
4) Remove the steering column cover.

(1) Lower the lever of the steering column.

(2) Release the claws and remove the screws, then detach the steering column lower cover.



(3) Separate the steering column upper cover and steering upper cover, and remove the steering column upper cover.



Steering Column

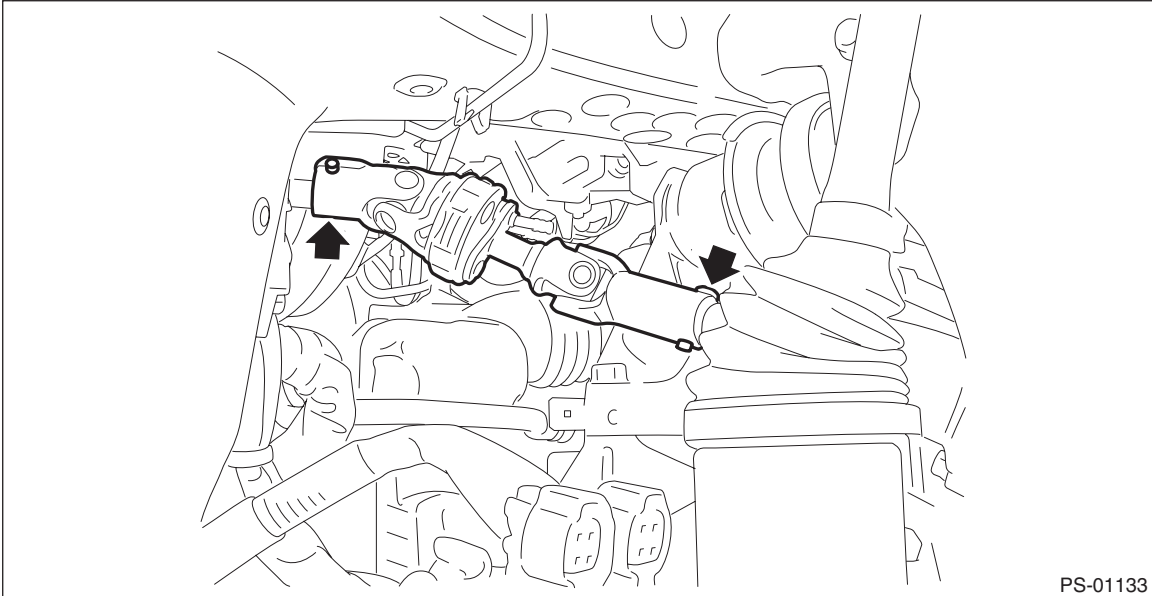
POWER ASSISTED SYSTEM (POWER STEERING)

5) Remove the universal joint.

CAUTION:

To prevent damage to the universal joint and error of handling force, make sure to remove the universal joint.

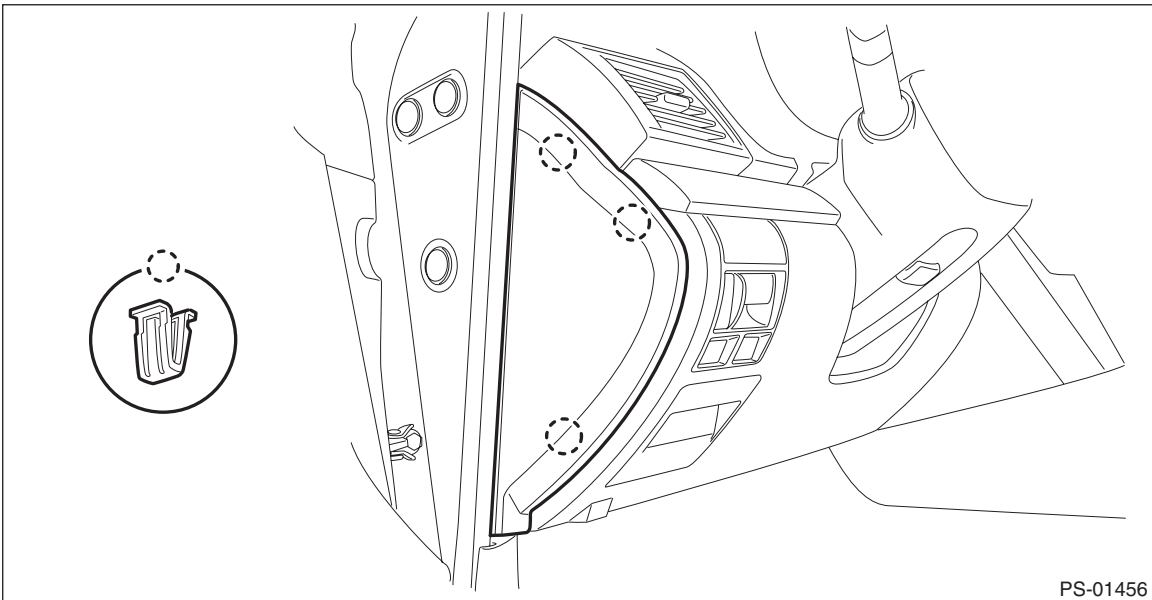
- (1) Place alignment marks on universal joint.
- (2) Remove the universal joint bolt and remove the universal joint.



PS-01133

6) Remove the instrument panel lower cover.

- (1) Remove the clips, and remove the instrument panel side cover LH.

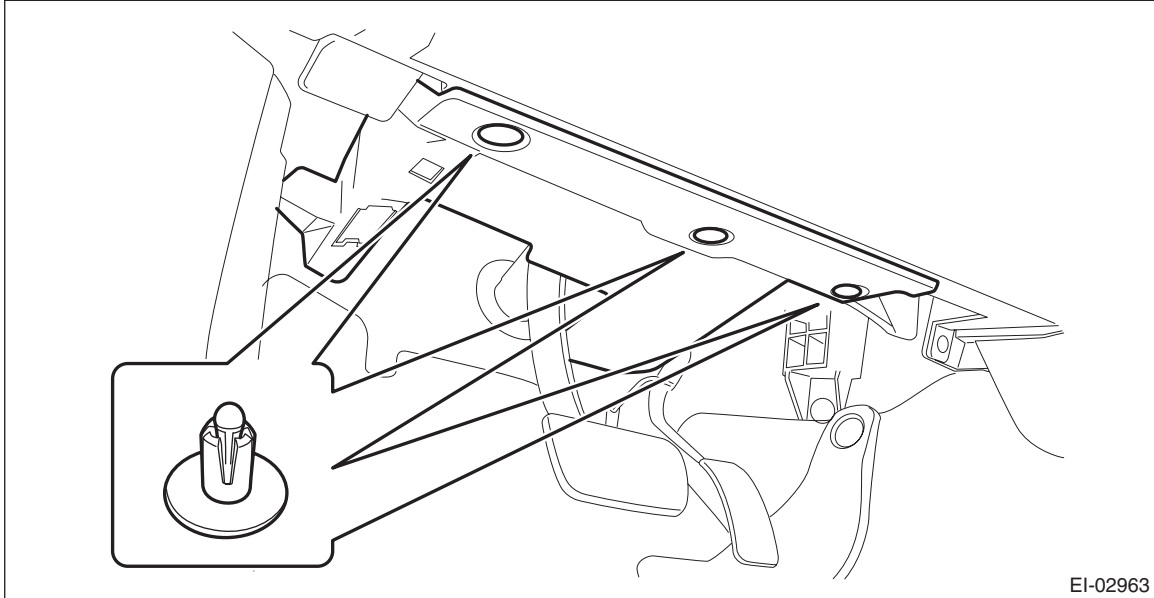


PS-01456

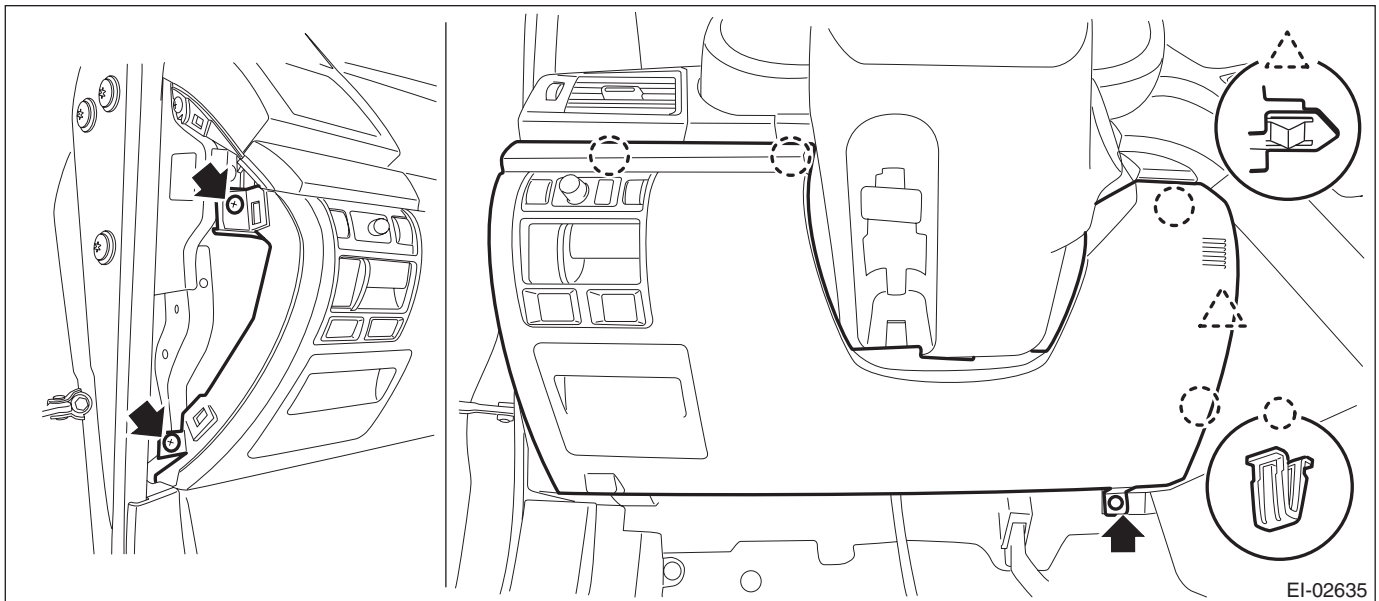
Steering Column

POWER ASSISTED SYSTEM (POWER STEERING)

(2) Remove the clips and data link connector, and remove the instrument panel lower cover under.



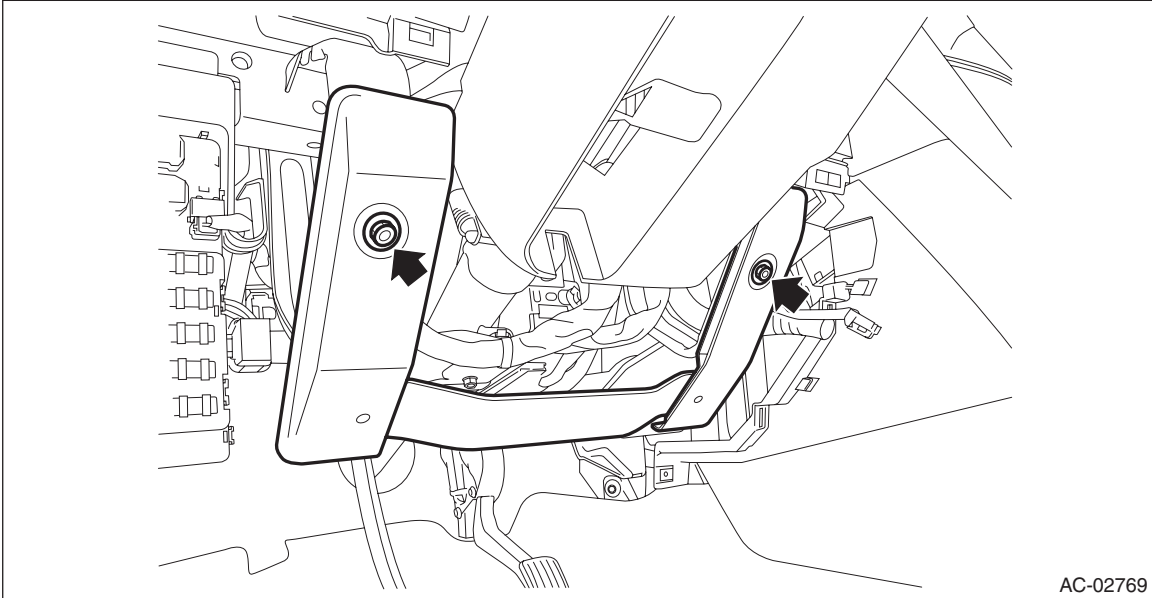
(3) Remove the screws and clips and release the claws, and remove the instrument panel lower cover while disconnecting the harness connectors.



Steering Column

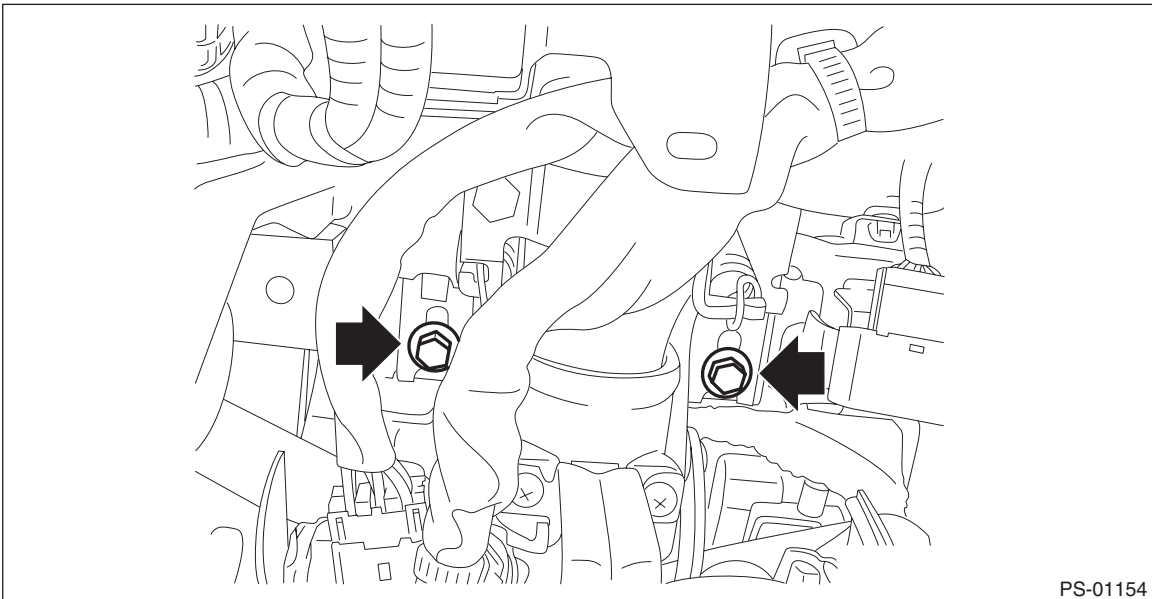
POWER ASSISTED SYSTEM (POWER STEERING)

- 7) Remove the bolts, and remove the knee guard panel.



- 8) Remove all connectors from the steering column.

- 9) Remove the two bolts under instrument panel securing the steering column.



- 10) Pull out the steering shaft assembly from the hole on toe board.

CAUTION:

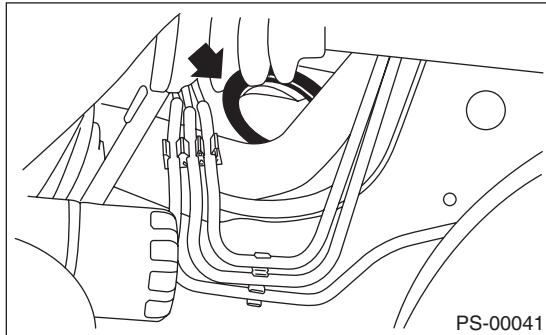
Do not loosen the tilt lever when the steering column is not secured to the vehicle.

Steering Column

POWER ASSISTED SYSTEM (POWER STEERING)

B: INSTALLATION

- 1) Install the grommet to the toe board.



- 2) Insert the end of the steering shaft into the toe board grommet.
- 3) Tighten the steering column installation bolt located under the instrument panel with the tilt lever fixed.

Tightening torque:

20 N·m (2.04 kgf·m, 14.8 ft·lb)

- 4) Connect all the connectors under the instrument panel.
- 5) Connect the airbag system connector.
- 6) Install the instrument panel lower cover.
- 7) Install the universal joint. <Ref. to PS-21, INSTALLATION, Universal Joint.>

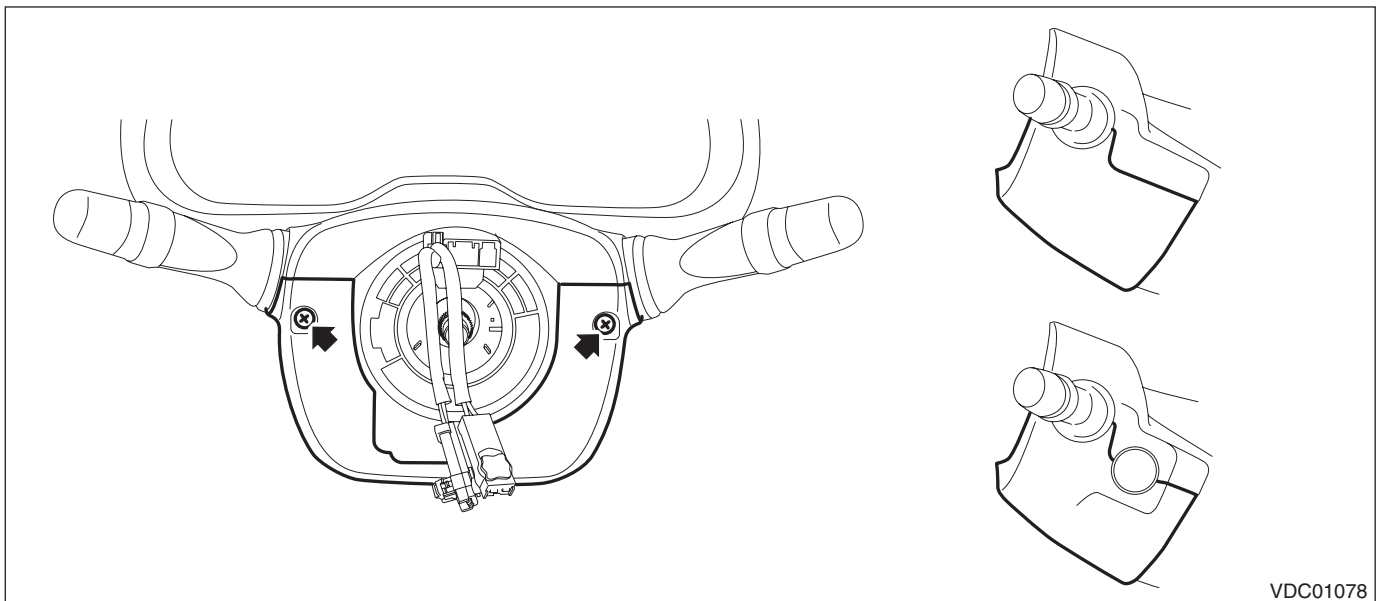
CAUTION:

- Always install the universal joint after installing the steering column to avoid damage to the universal joint.
- Be sure to follow the tightening order and tightening torque of universal joint to avoid the steering effort from becoming heavy.

- 8) Align the center position of the roll connector. <Ref. to AB-109, ADJUSTMENT, Roll Connector.>
- 9) Install the steering wheel. <Ref. to PS-17, INSTALLATION, Steering Wheel.>

C: DISASSEMBLY

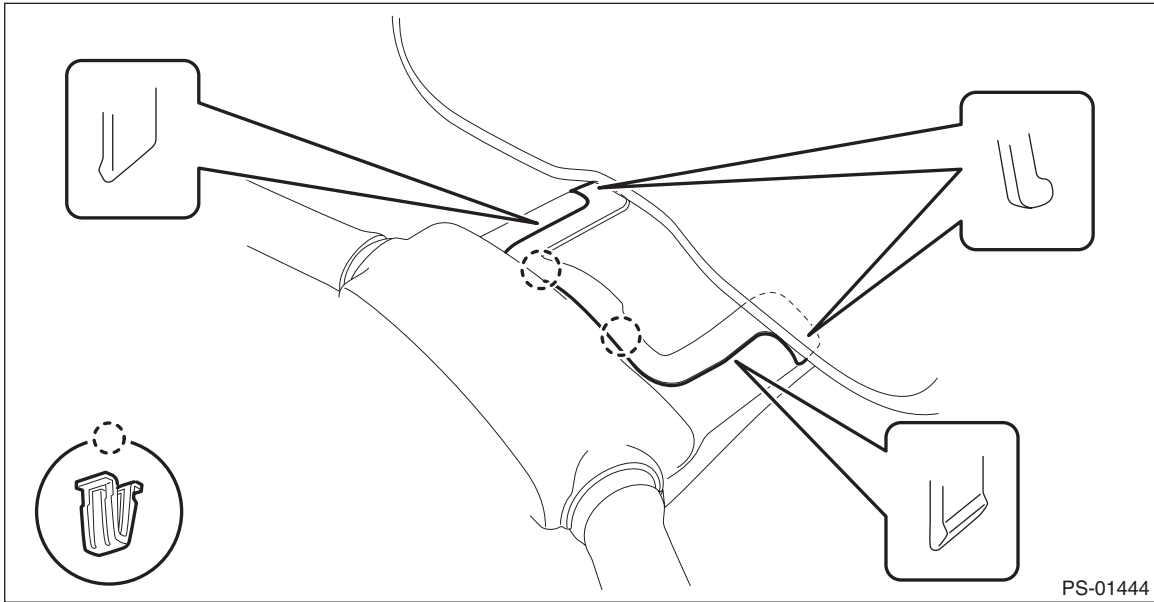
- 1) Remove the steering column cover.
 - (1) Lower the lever of the steering column.
 - (2) Release the claws and remove the screws, then detach the steering column lower cover.



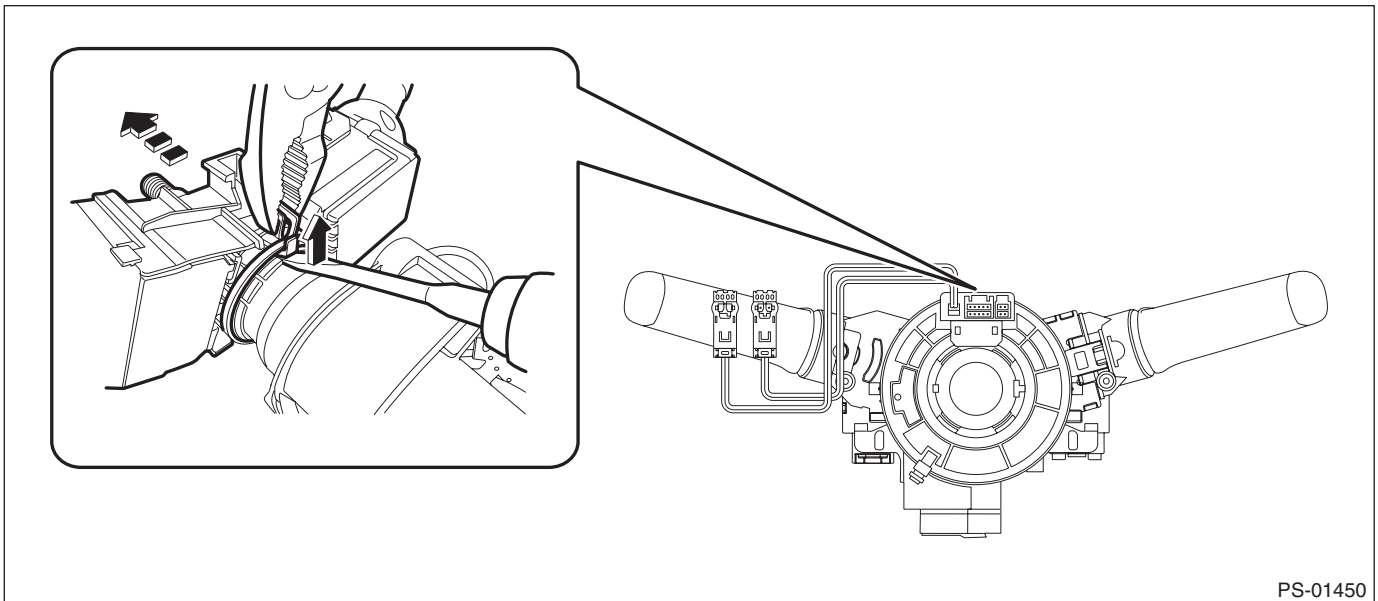
Steering Column

POWER ASSISTED SYSTEM (POWER STEERING)

(3) Separate the steering column upper cover and steering upper cover, and remove the steering column upper cover.



2) Remove the combination switch.



D: ASSEMBLY

Assemble each part in the reverse order of disassembly.

Steering Column

POWER ASSISTED SYSTEM (POWER STEERING)

E: INSPECTION

1. BASIC INSPECTION

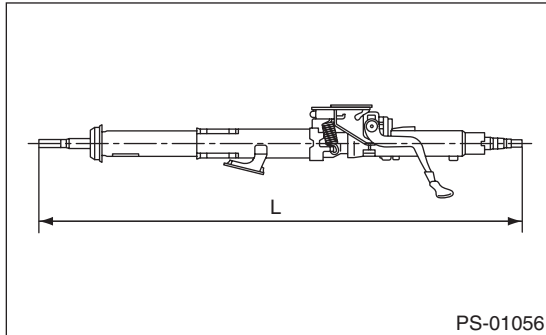
Check the following items, and if there is anything out of standard value, it is considered to be damaged. If so, replace it with a new part.

- Measure the whole length of the column assembly - steering.

Standard: Overall length L

Tilt and telescopic column (measure while minimized)

$816.9^{+1.5} -1.5$ mm ($32.2^{+0.059} -0.059$ in)



- Check the steering wheel deflection in axial and vertical directions.

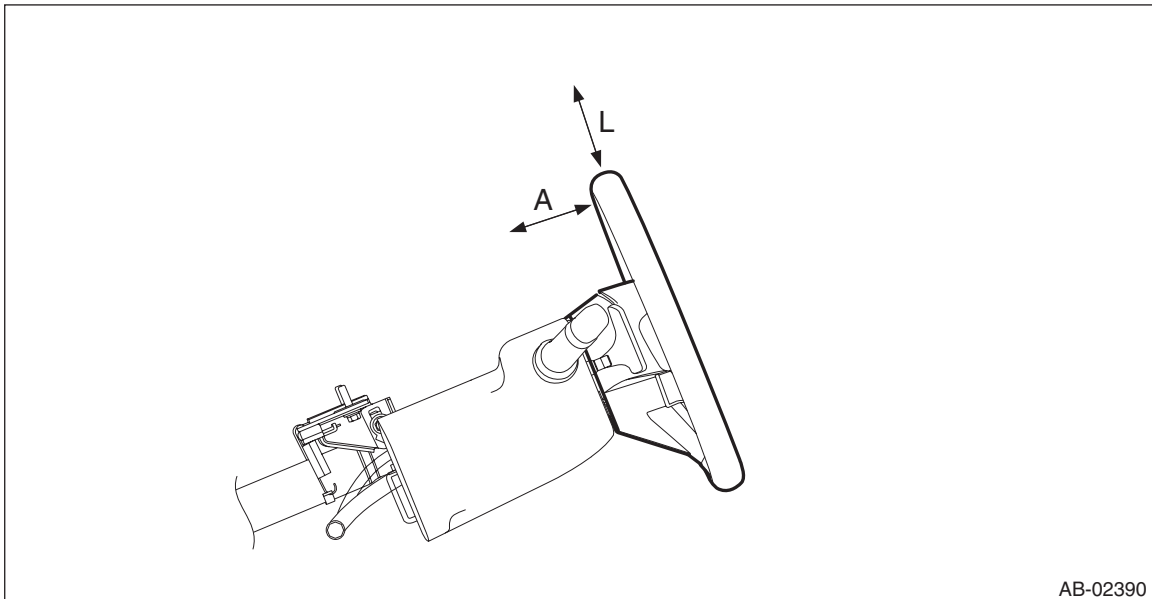
Specification:

Axial deflection A (deflection of steering wheel)

Less than 6 mm (0.24 in)

Vertical deflection L (runout of steering wheel)

Less than 17 mm (0.68 in)



2. INSPECTION OF AIRBAG SYSTEM

Refer to "Airbag System" for airbag inspection procedure. <Ref. to AB-39, INSTALLATION, Driver's Airbag Module.>