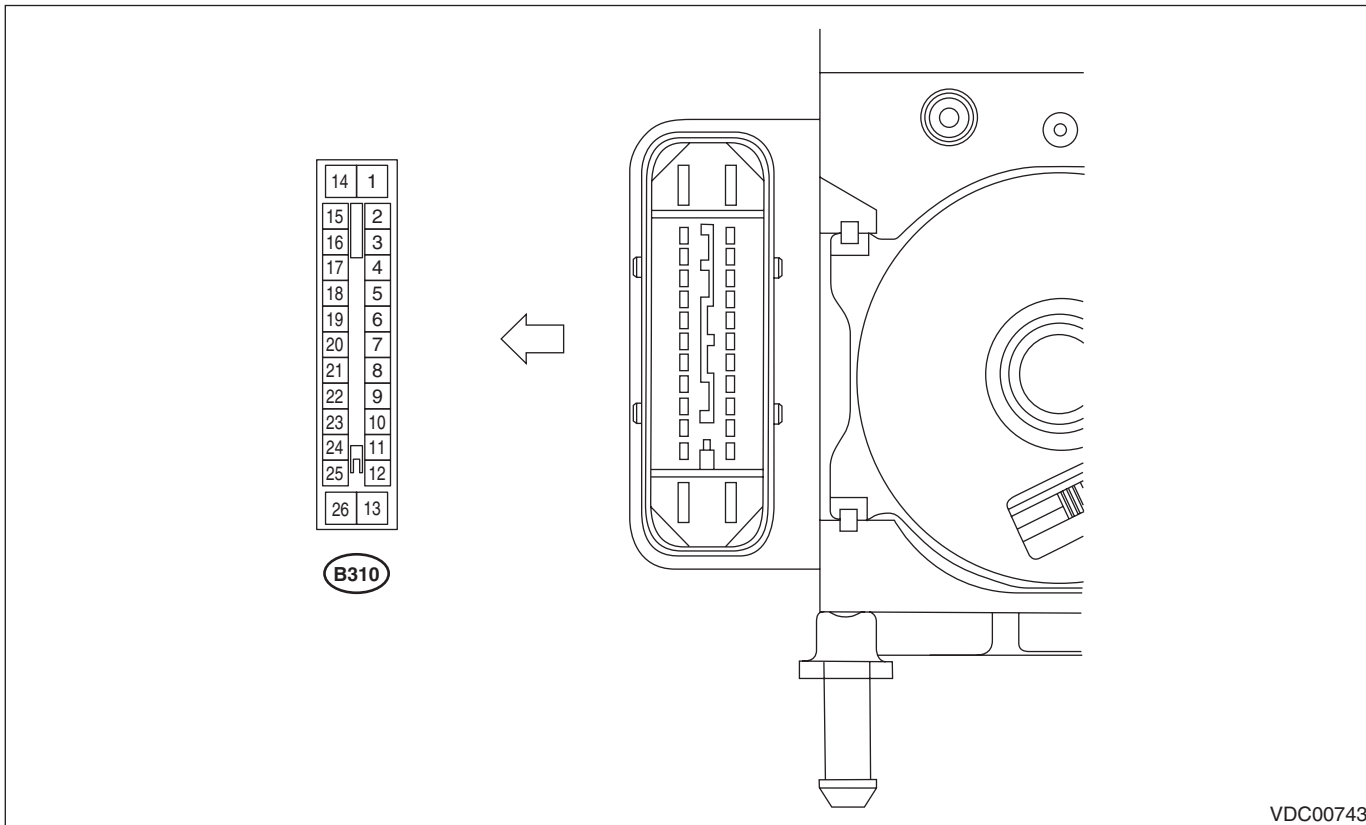


# Control Module I/O Signal

VEHICLE DYNAMICS CONTROL (VDC) (DIAGNOSTICS)

## 5. Control Module I/O Signal

### A: ELECTRICAL SPECIFICATION



**NOTE:**

- Terminal numbers in VDCCM&H/U connector are shown in the figure.
- When the connector is removed from VDCCM&H/U, the brake warning light (EBD warning light), ABS warning light, and VDC warning light & VDC indicator light illuminate.

# Control Module I/O Signal

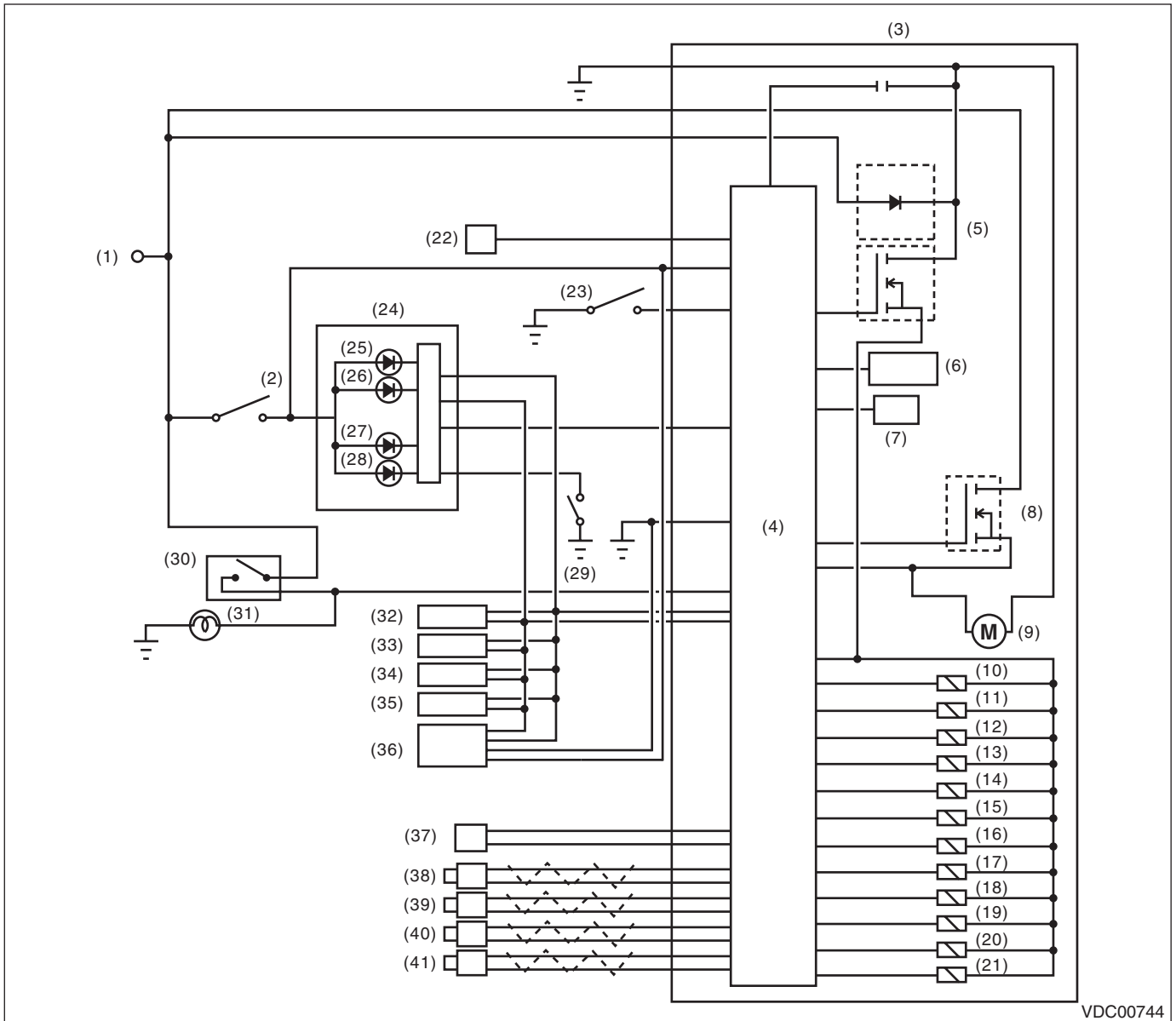
VEHICLE DYNAMICS CONTROL (VDC) (DIAGNOSTICS)

Content		Terminal No. (+) — (-)	Input/Output signal	
			Measured value and measuring conditions	
Power supply		7 — 13	10 — 15 V when the ignition switch is ON.	
ABS wheel speed sensor	Front LH wheel	Power supply	22 — 13	0 — 18 V
		Signal	21	7 — 14 mA: Rectangle waveform
	Front RH wheel	Power supply	18 — 13	0 — 18 V
		Signal	19	7 — 14 mA: Rectangle waveform
	Rear LH wheel	Power supply	16 — 13	0 — 18 V
		Signal	15	7 — 14 mA: Rectangle waveform
Rear RH wheel	Power supply	24 — 13	0 — 18 V	
	Signal	25	7 — 14 mA: Rectangle waveform	
CAN communication line (L)		8	0.5 — 2.25 V pulse signal	
CAN communication line (H)		10	2.75 — 4.5 V pulse signal	
Valve relay power supply		14 — 13	10 — 15 V when the ignition switch is ON.	
Motor relay power supply		1 — 13	10 — 15 V when the ignition switch is ON.	
Stop light switch		3 — 13	1.5 V or less when the stop light is OFF; otherwise, 10 — 15 V when the stop light is ON.	
Subaru Select Monitor		5 — 13	0 ↔ 12 V pulse (in communication)	
Vehicle speed output signal		11	0 ↔ 12 V pulse	
VDC OFF switch		9 — 13	0.5 Ω or less when the OFF switch is ON; 1 MΩ or more when the switch is OFF.	
Clutch stroke sensor power supply		2 — 13	4.8 — 5.2 V	
Clutch stroke sensor ground		23	—	
Ground		13	—	

# Control Module I/O Signal

VEHICLE DYNAMICS CONTROL (VDC) (DIAGNOSTICS)

## B: WIRING DIAGRAM



VDC00744

# Control Module I/O Signal

## VEHICLE DYNAMICS CONTROL (VDC) (DIAGNOSTICS)

---

(1) Battery	(15) Rear outlet solenoid valve LH	(29) Brake fluid level switch
(2) Ignition switch	(16) Rear inlet solenoid valve RH	(30) Stop light switch
(3) VDC control module & hydraulic control unit (VDCCM&H/U)	(17) Rear outlet solenoid valve RH	(31) Stop light
(4) VDC control module	(18) Primary cut solenoid valve	(32) Body integrated unit
(5) Valve relay	(19) Primary suction solenoid valve	(33) Engine control module (ECM)
(6) Pressure sensor	(20) Secondary cut solenoid valve	(34) Transmission control module (TCM)
(7) Yaw rate & G sensor	(21) Secondary suction solenoid valve	(35) Parking brake control module
(8) Motor relay	(22) Data link connector	(36) Steering angle sensor
(9) Motor	(23) VDC OFF switch	(37) Clutch stroke sensor (MT model only)
(10) Front inlet solenoid valve LH	(24) Combination meter	(38) Front ABS wheel speed sensor LH
(11) Front outlet solenoid valve LH	(25) VDC OFF indicator light	(39) Front ABS wheel speed sensor RH
(12) Front inlet solenoid valve RH	(26) VDC warning light & VDC indicator light	(40) Rear ABS wheel speed sensor LH
(13) Front outlet solenoid valve RH	(27) ABS warning light	(41) Rear ABS wheel speed sensor RH
(14) Rear inlet solenoid valve LH	(28) Brake warning light (EBD warning light)	