

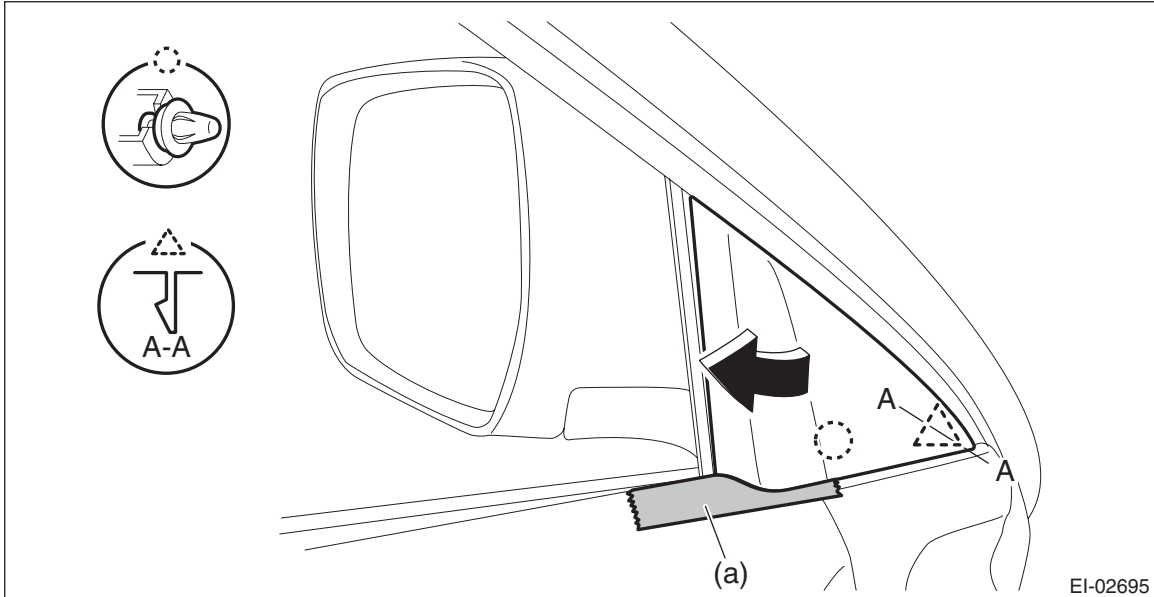
Front Door Impact Sensor

AIRBAG SYSTEM

10. Front Door Impact Sensor

A: REMOVAL

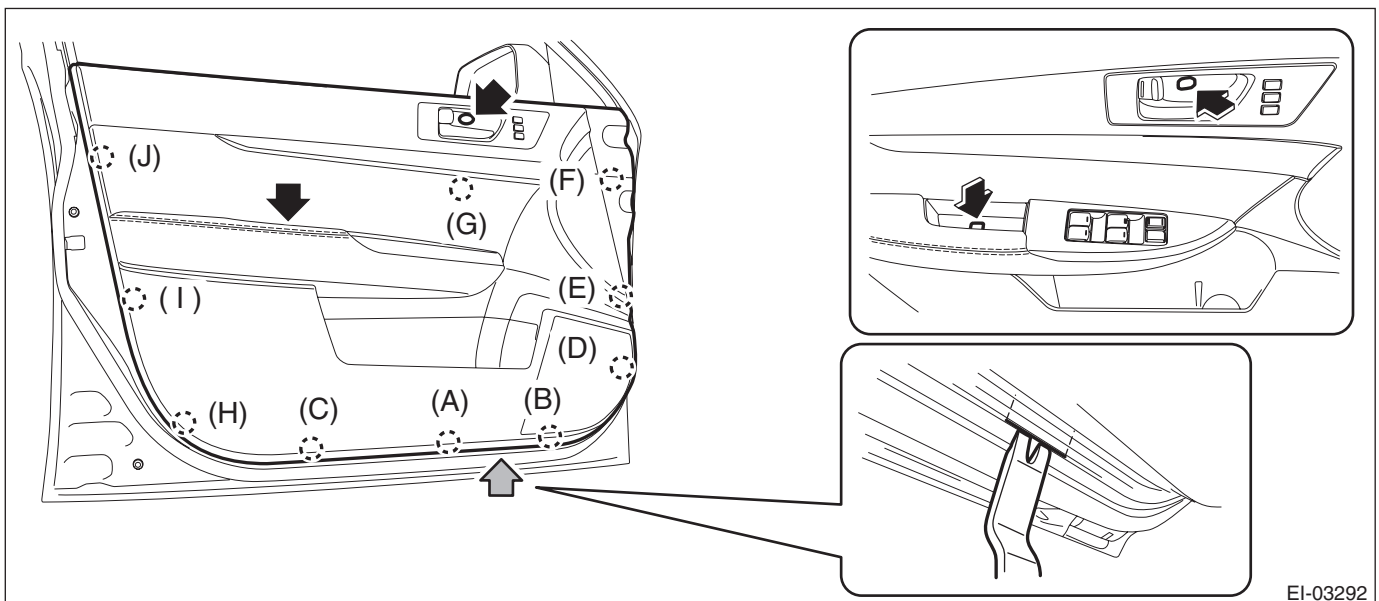
- 1) Operate the power window switch to close the front door glass.
- 2) Turn the ignition switch to OFF.
- 3) Disconnect the ground cable from battery and wait for at least 60 seconds before starting work.
- 4) Remove the gusset cover.
 - (1) Attach the protective tape (a) to the door trim.
 - (2) Release the clips and claws, then detach the gusset cover.



- 5) Remove the door trim assembly.
 - (1) Open the cover and remove the screw.
 - (2) Remove the clips in the order of (A) to (J) and remove the door trim assembly from the door panel.

CAUTION:

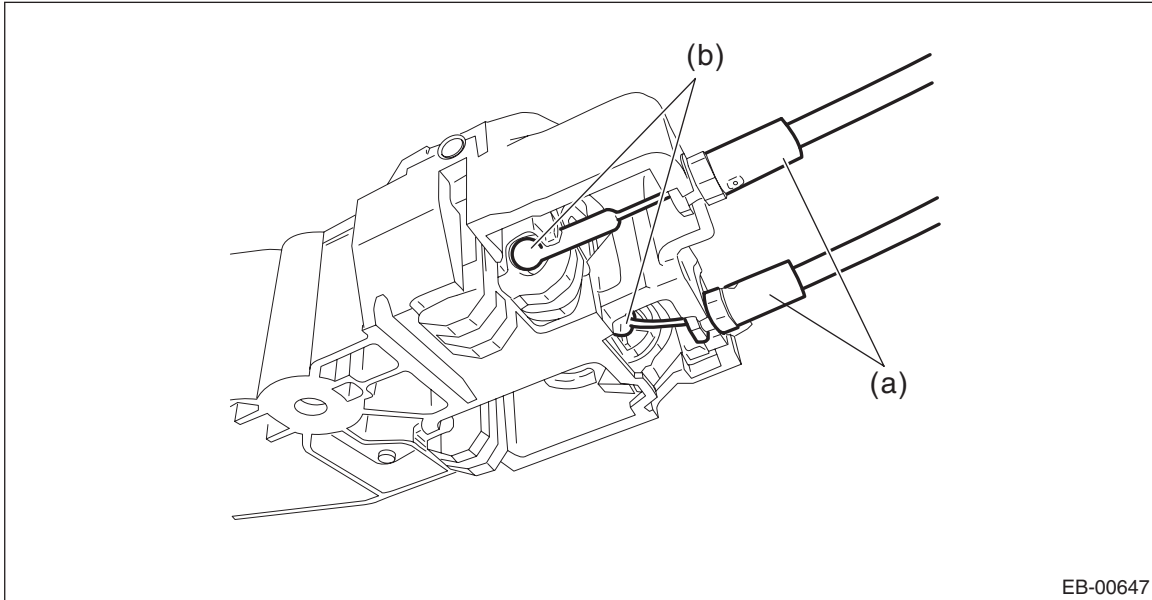
When removing the door trim, be sure to remove the clips in the correct order. Forcibly removing clips may damage the door panel assembly.



NOTE:

Insert a plastic clip remover into the slit at the bottom of the door trim, to lift the door trim.

(3) Remove the cables (a) and (b) from the cable holder of inner remote.



(4) Disconnect the harness connector and remove the door trim assembly.

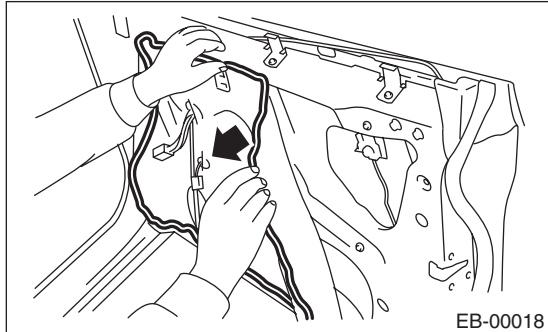
6) Remove the sealing cover.

CAUTION:

- Carefully remove the butyl tape. Excessive force will easily break the cover.
- If the sealing cover gets broken, replace it with a new part.

(1) Remove the screw to remove the door trim bracket.

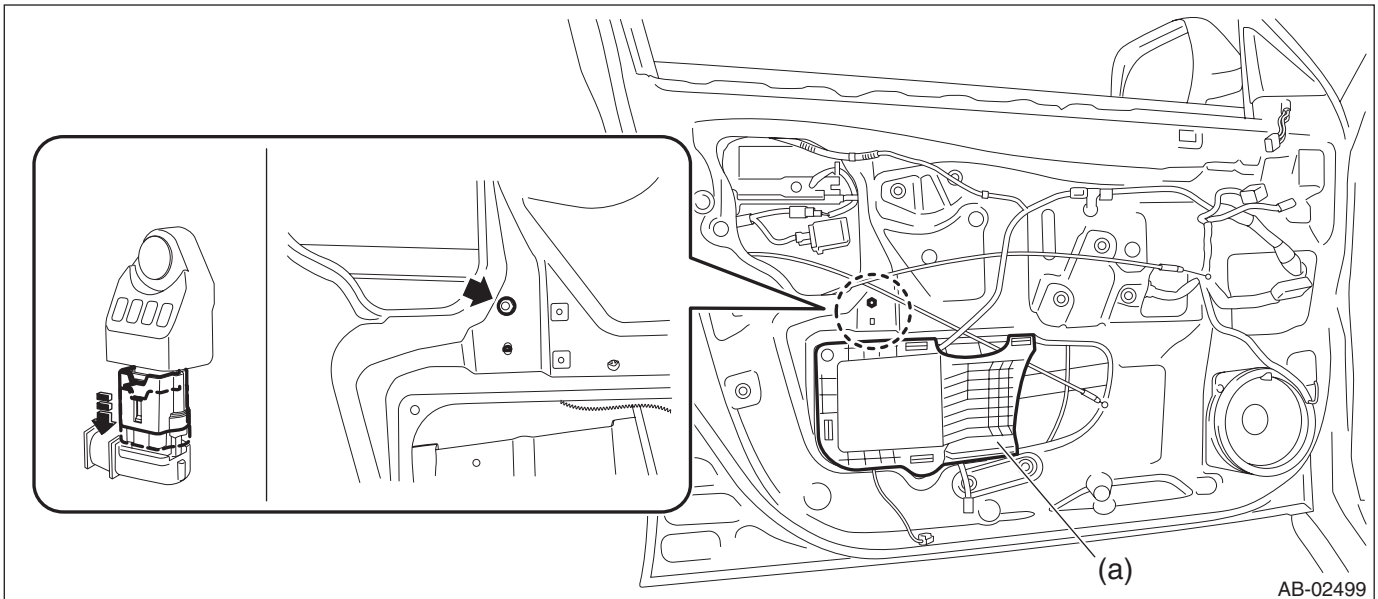
(2) Carefully remove the butyl tape to remove the sealing cover.



Front Door Impact Sensor

AIRBAG SYSTEM

- 7) Remove the front door impact sensor.
- (1) Remove the front door inner pad (a).
 - (2) Remove the nut, and then remove the center assembly.
 - (3) Pull outer part of slide lock in the direction of arrow to disconnect the connector, and remove the front door impact sensor.



AB-02499

B: INSTALLATION

CAUTION:

Do not reuse the bolt and nut.

Always replace with the specified new bolts and nuts.

1) Before installation, inspect the following items and replace any faulty part with a new part.

- The front door impact sensor or connector is damaged.
- Front door inner panel area is deformed.
- Side airbag has been activated.

Tightening torque:

Front door impact sensor: 7.5 N·m (0.76 kgf-m, 5.5 ft-lb)

2) Install each part in the reverse order of removal.