

12. Curtain Airbag Sensor

A: REMOVAL

1. SEDAN MODEL

1) Disconnect the ground cable from battery and wait for at least 60 seconds before starting work.

CAUTION:

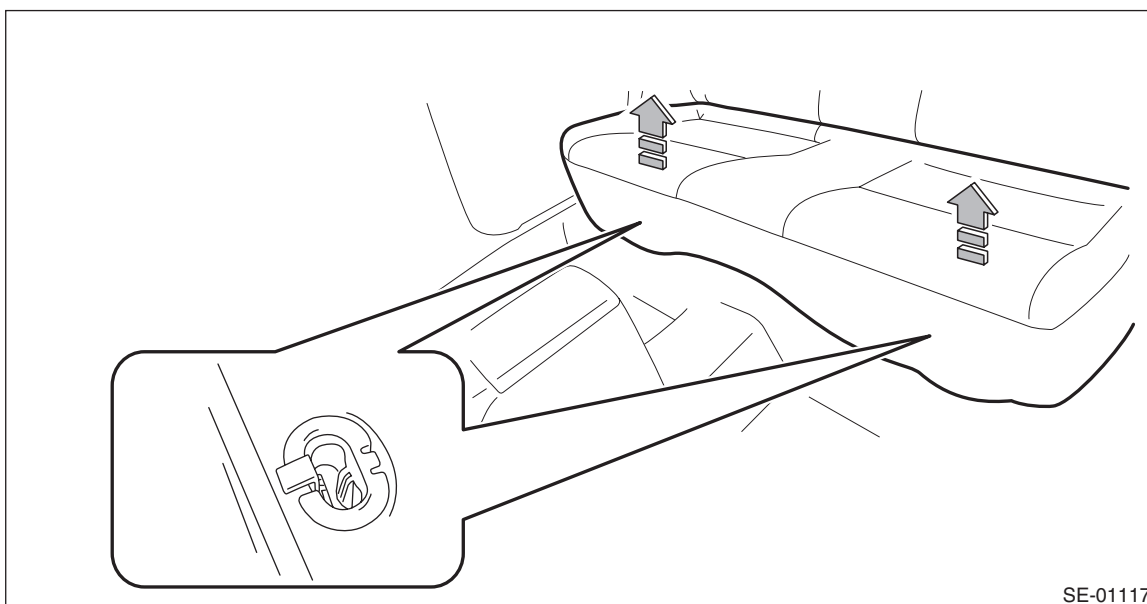
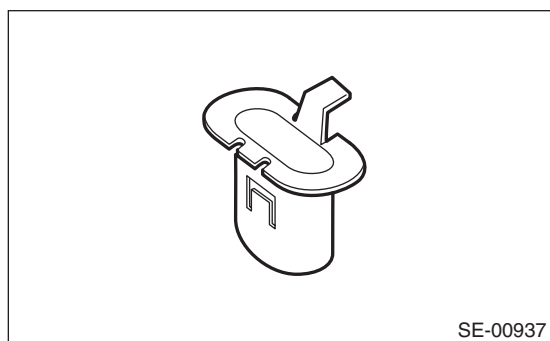
The airbag system is fitted with a backup power supply. After disconnecting the battery ground cable, the airbag may operate if you do not wait for 60 seconds before starting the service of airbag system.

2) Remove the rear seat cushion assembly.

(1) Pull up the seat cushion and release the hook.

CAUTION:

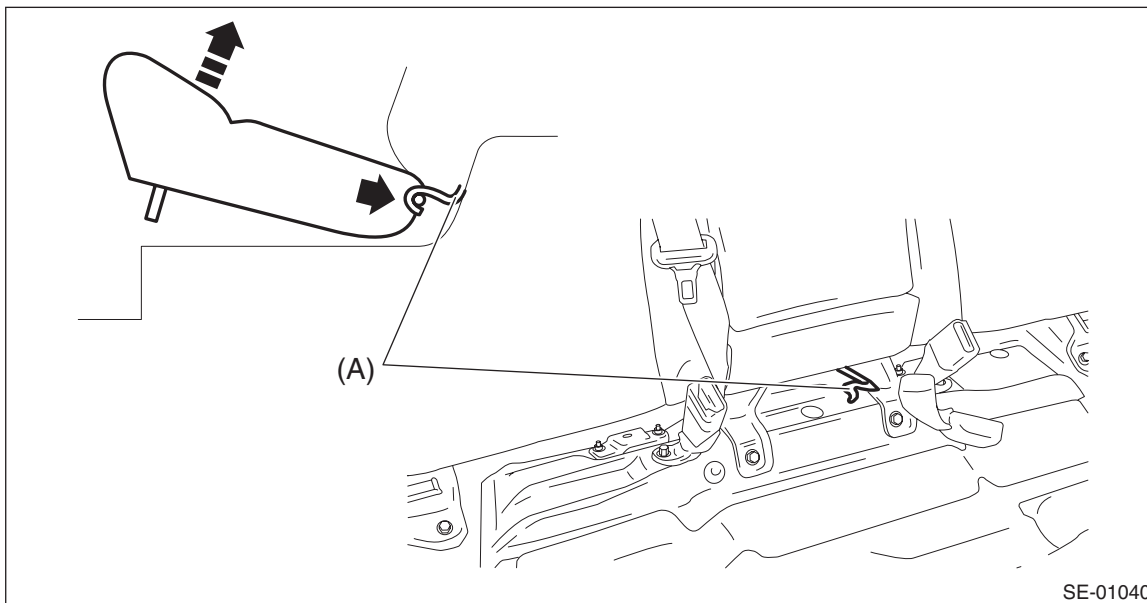
If the hook is disconnected from the vehicle body, replace the hook with the new part to prevent the decline of the fixed force of the seat.



Curtain Airbag Sensor

AIRBAG SYSTEM

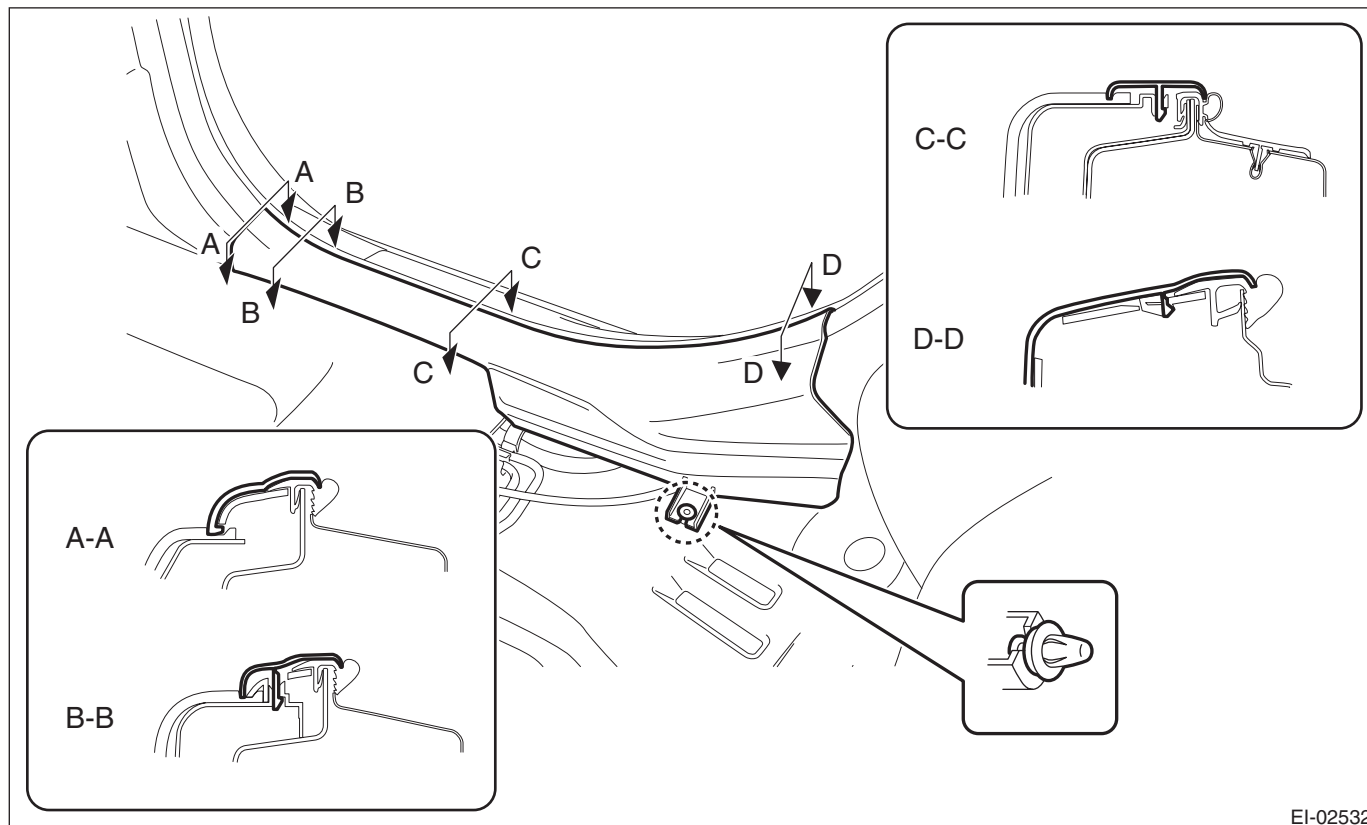
(2) Remove the hook (A) by pushing it back while lifting the front side of the seat cushion, and remove the seat cushion assembly.



3) Release the clips and claws, and then remove the side sill cover - rear INN. (On the side where airbag sensor is removed)

CAUTION:

Do not pull with excessive force. Doing so may damage the claws of the side sill cover INN.



NOTE:

To release the claws of the side sill cover INN, the following steps are recommended.

1. Take out the weather strip from under the side sill cover INN.
2. Turn over the floor mat and release the claw (C-C and D-D) by accessing from behind the side sill cover INN.

4) Remove the rear quarter trim LWR. (On the side where airbag sensor is removed)

(1) Remove the backrest side pad.

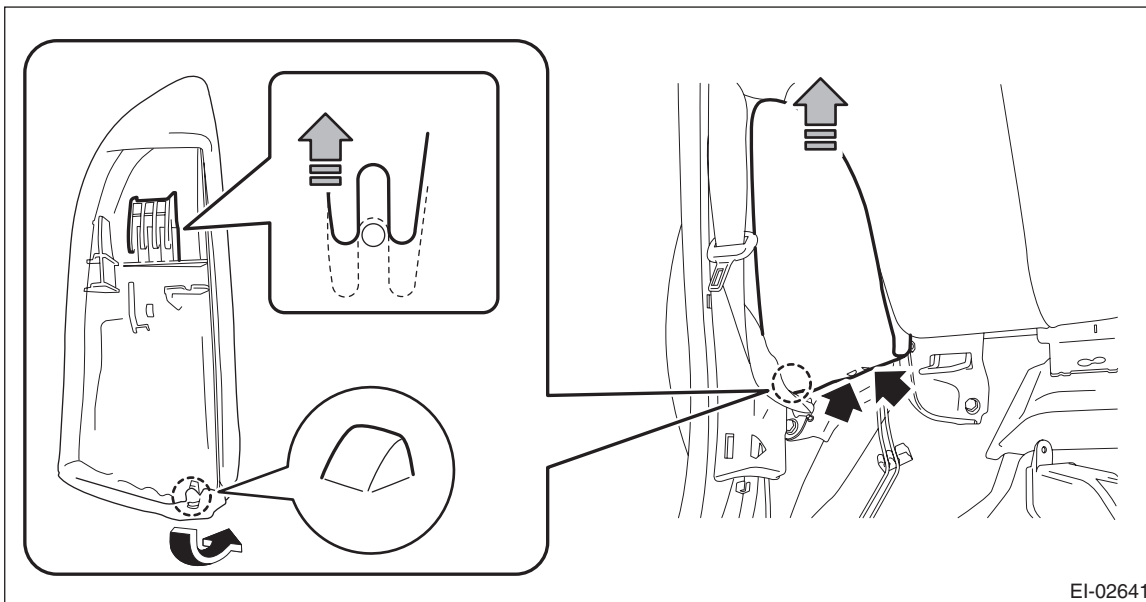
a) Remove the screws.

Preparation tool:

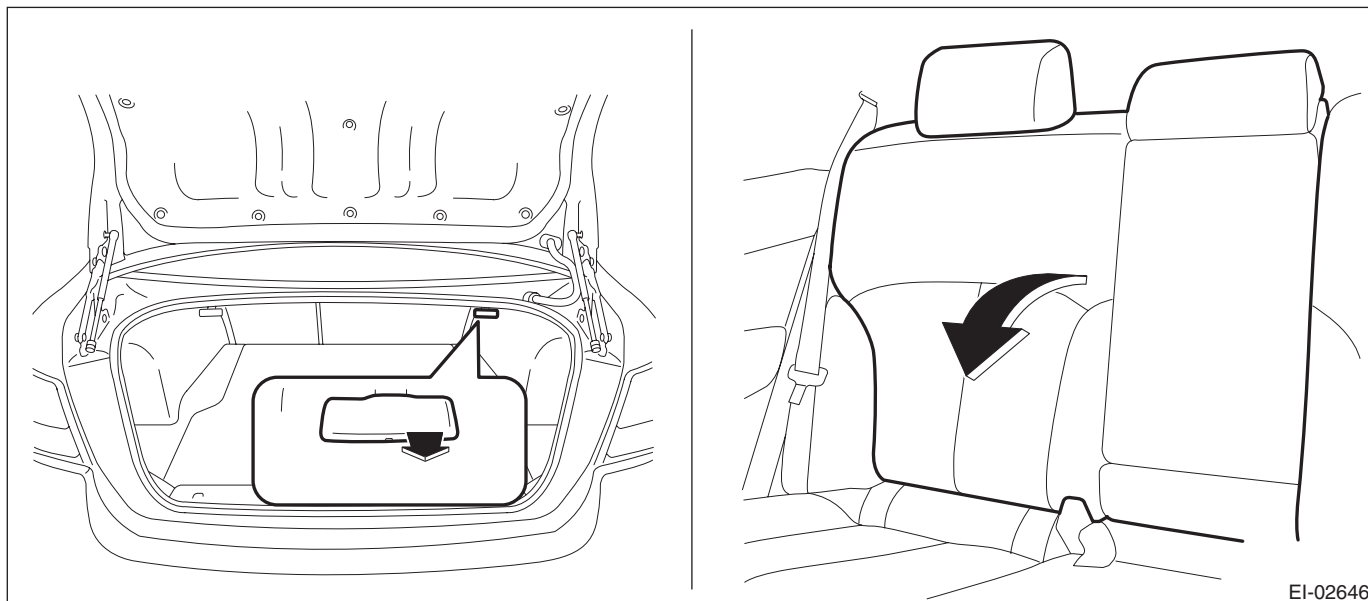
Stubby screwdriver

b) Turn over the bottom end of the backrest side pad in the forward direction so that the claws are released.

c) Remove the backrest side pad by pulling it up.



(2) Pull the release lever in the trunk room, and then tilt the backrest forward.

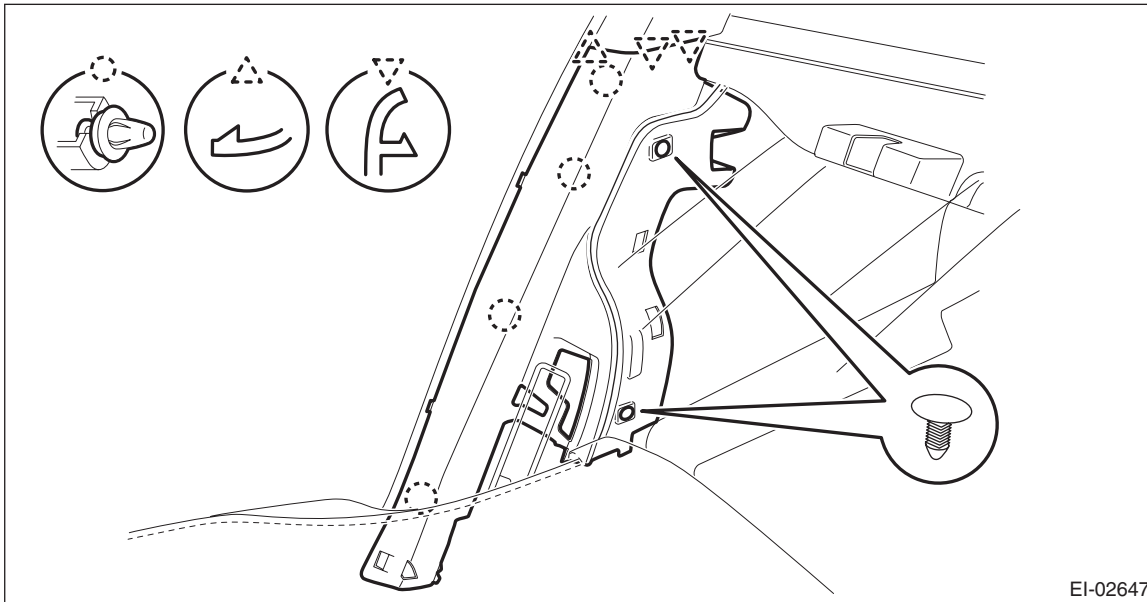


(3) Release the clips of the trunk trim panel assembly - side.

Curtain Airbag Sensor

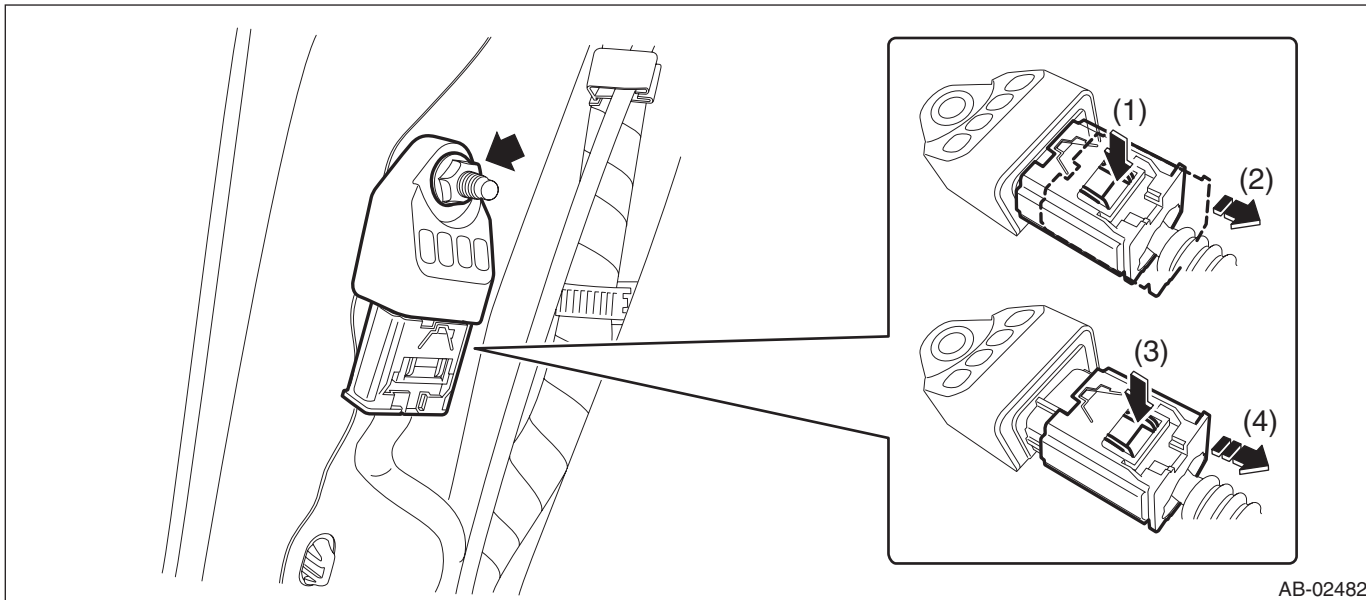
AIRBAG SYSTEM

- (4) Remove the clips, and remove the rear quarter trim LWR.



- 5) Remove the nut and then remove the curtain airbag sensor assembly.

- (1) Push the lock arm.
- (2) Holding outer part, pull it one step in the direction of arrow.
- (3) Push the lock arm again.
- (4) Holding outer part, pull it in the direction of arrow to disconnect the connector.



2. OUTBACK MODEL

1) Disconnect the ground cable from battery and wait for at least 60 seconds before starting work.

CAUTION:

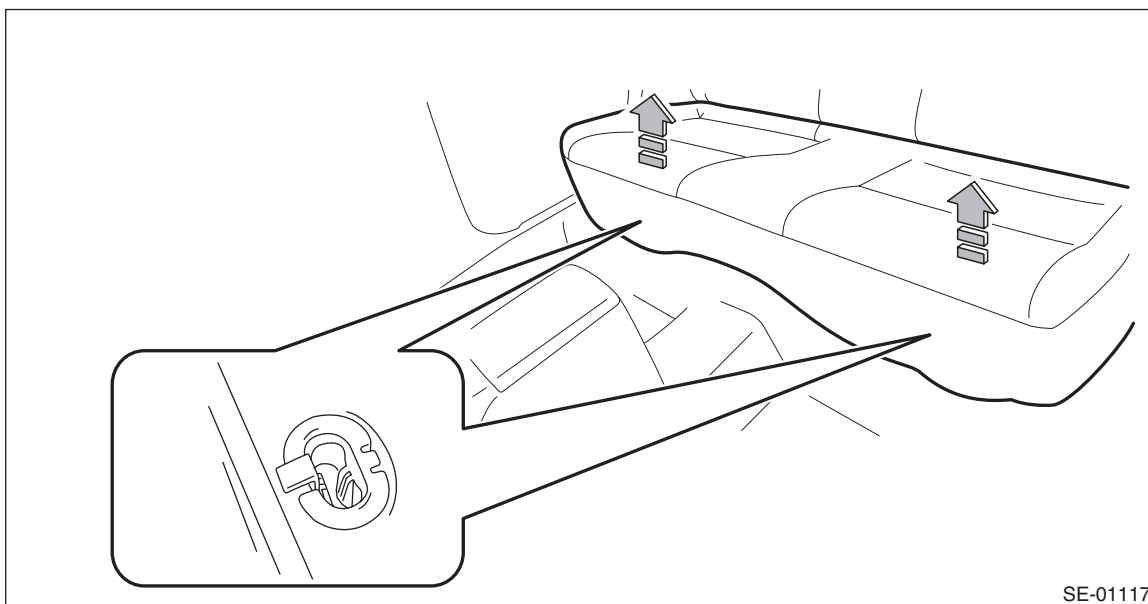
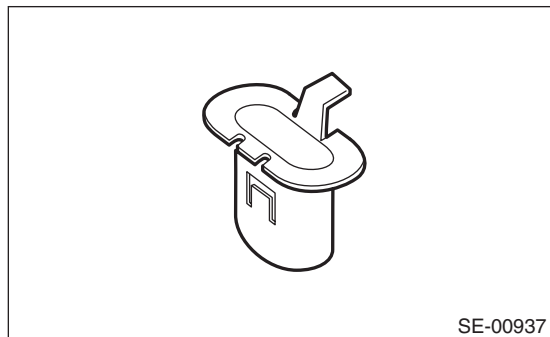
The airbag system is fitted with a backup power supply. After disconnecting the battery ground cable, the airbag may operate if you do not wait for 60 seconds before starting the service of airbag system.

2) Remove the rear seat cushion assembly.

(1) Pull up the seat cushion and release the hook.

CAUTION:

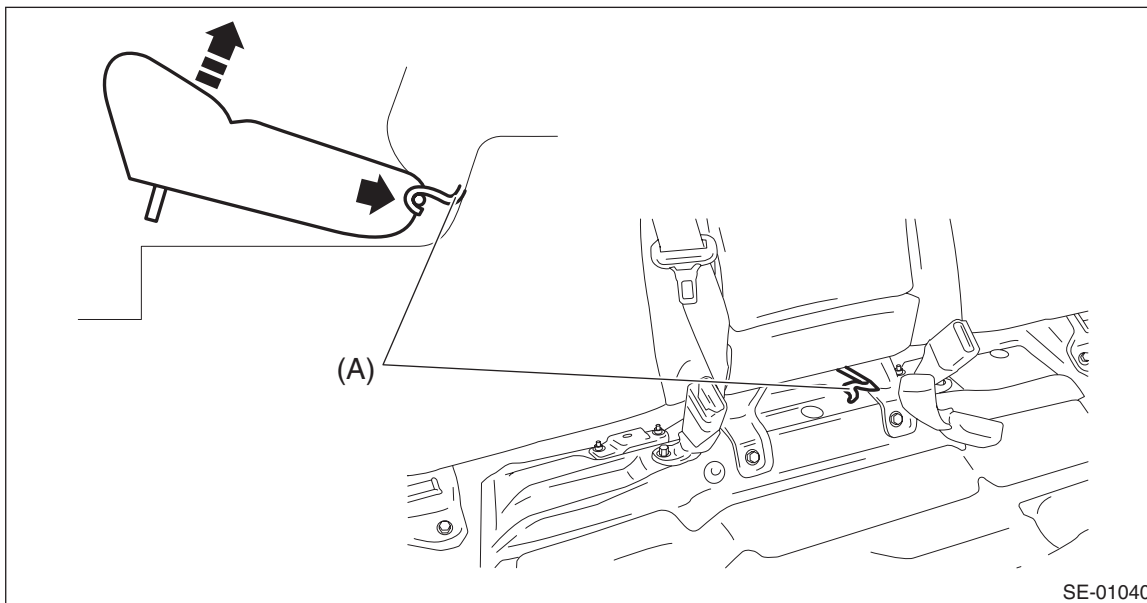
If the hook is disconnected from the vehicle body, replace the hook with the new part to prevent the decline of the fixed force of the seat.



Curtain Airbag Sensor

AIRBAG SYSTEM

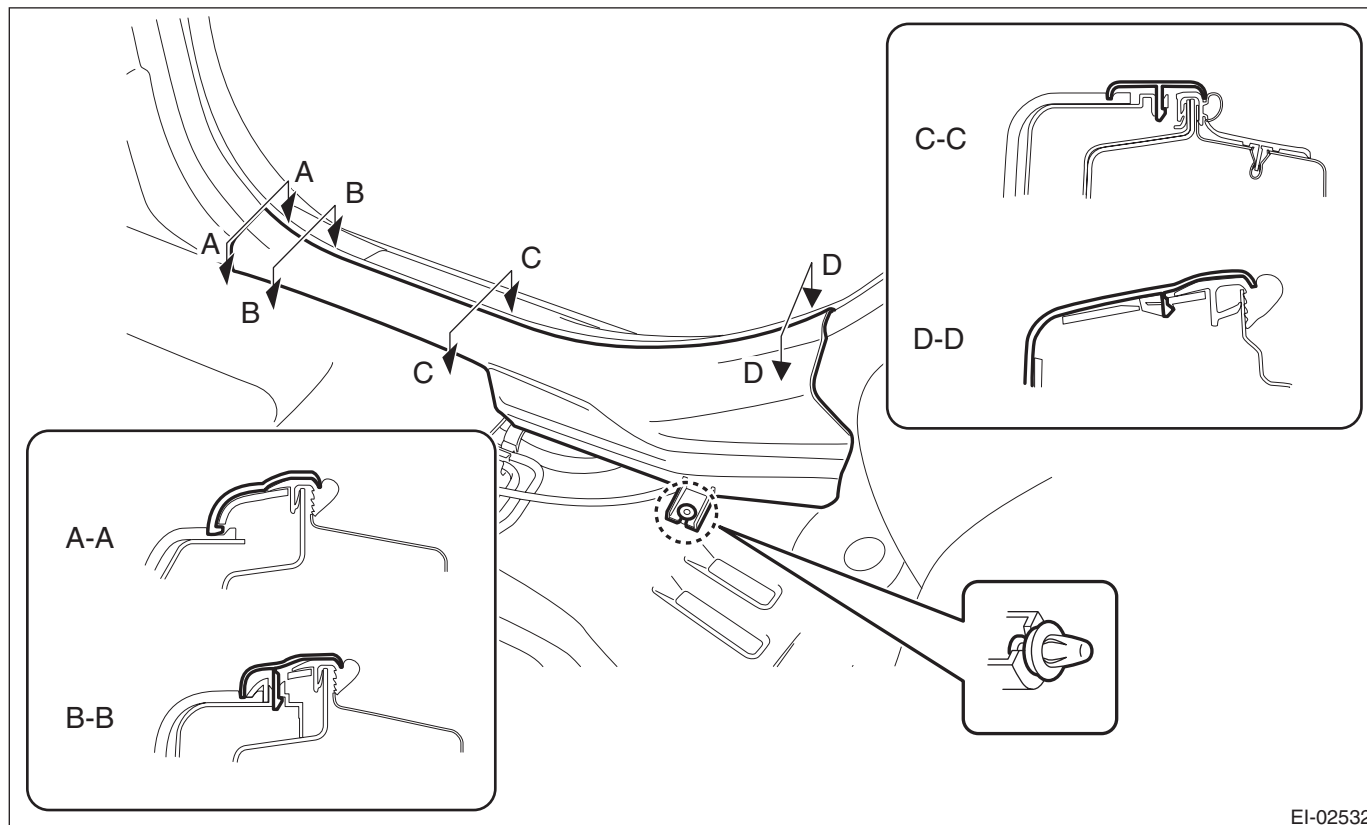
(2) Remove the hook (A) by pushing it back while lifting the front side of the seat cushion, and remove the seat cushion assembly.



3) Release the clips and claws, and then remove the side sill cover - rear INN. (On the side where airbag sensor is removed)

CAUTION:

Do not pull with excessive force. Doing so may damage the claws of the side sill cover INN.

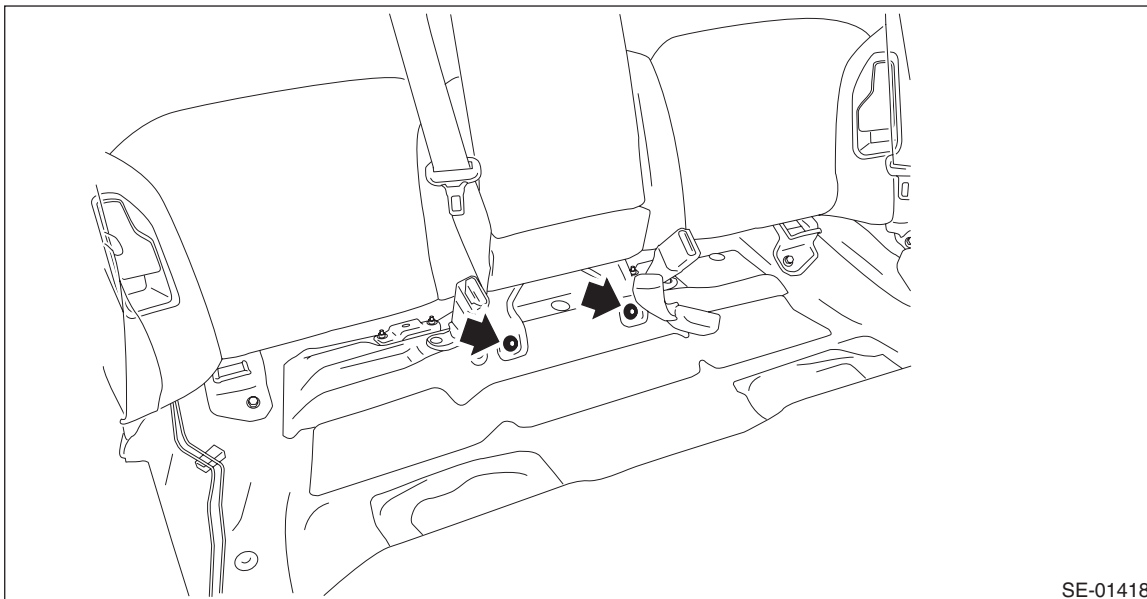


NOTE:

To release the claws of the side sill cover INN, the following steps are recommended.

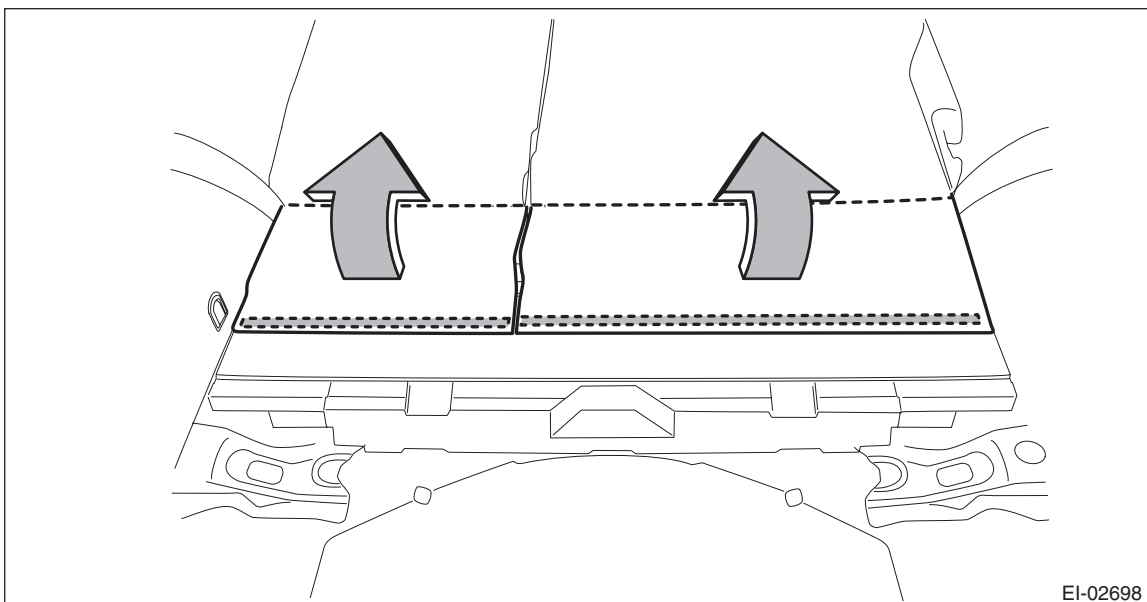
1. Take out the weather strip from under the side sill cover INN.
2. Turn over the floor mat and release the claw (C-C and D-D) by accessing from behind the side sill cover INN.

- 4) Remove the headrest.
- 5) Remove the backrest assembly RH.
 - (1) Remove the hinge bolts at the front of the backrest assembly RH.



SE-01418

- (2) Tilt the backrest forward, and then turn over the backrest backside mat.

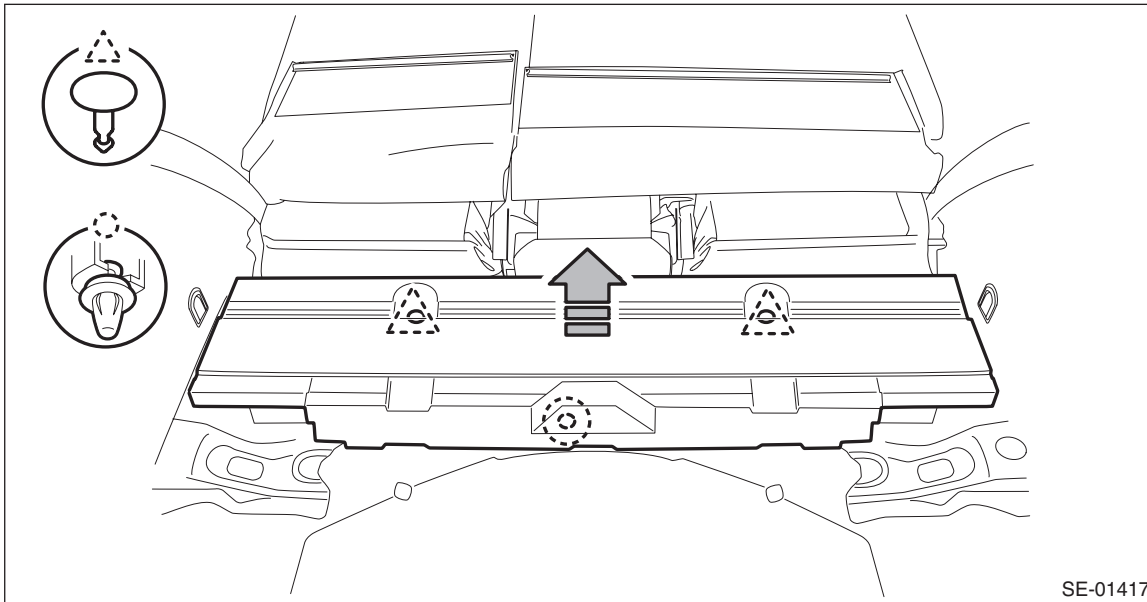


EI-02698

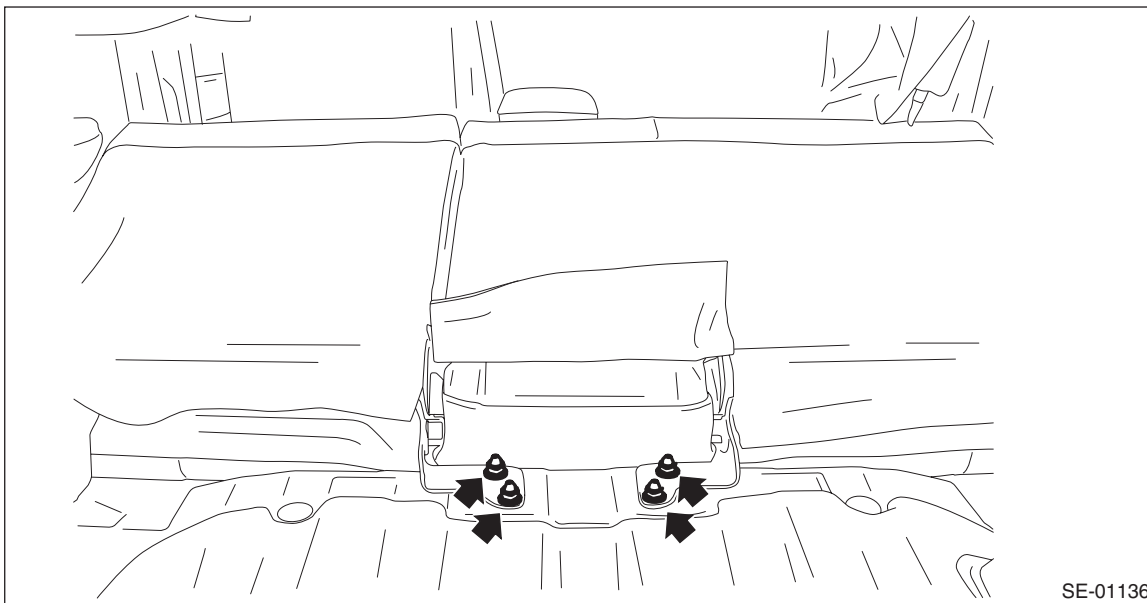
Curtain Airbag Sensor

AIRBAG SYSTEM

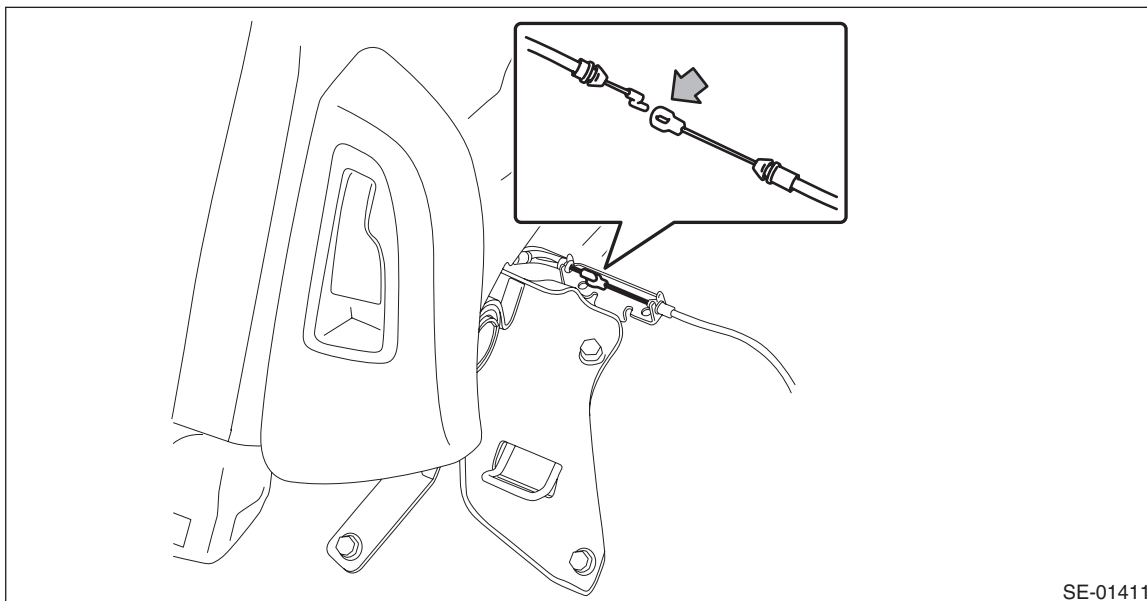
(3) Remove the clips, and remove the rear floor mat - front.



(4) Remove the nuts at the rear of backrest hinge.



(5) Disconnect the backrest cable and reclining cable.



NOTE:

The backrests cannot be detached while pin positions of the hinge assembly and backrests are not aligned.

(6) Remove the backrest assembly RH from the hinge assembly RH.



NOTE:

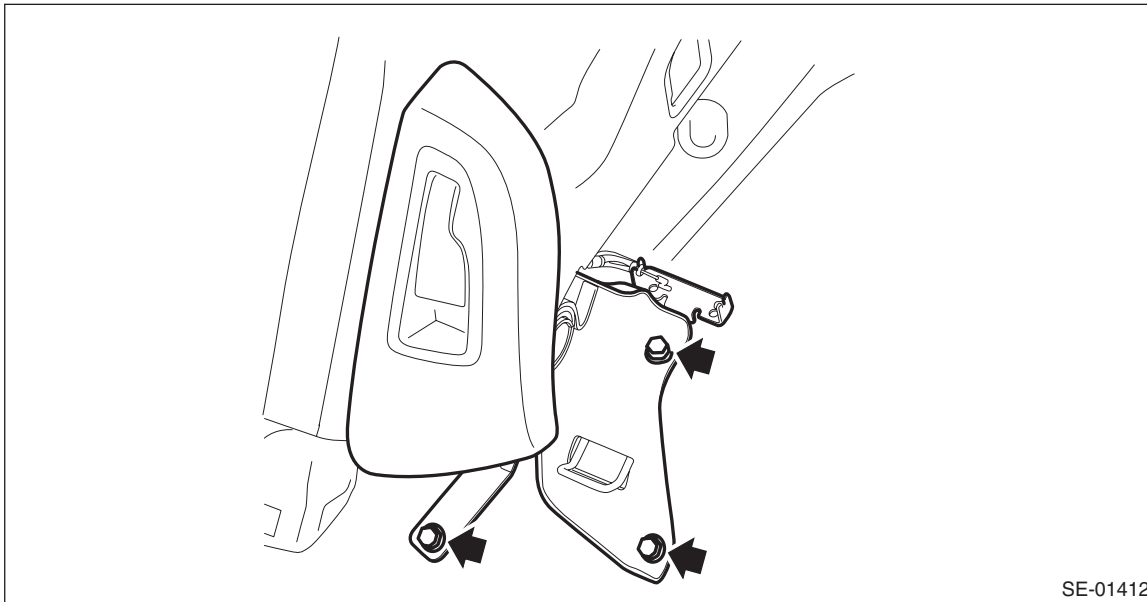
The backrests cannot be detached while pin positions of the hinge assembly and backrests are not aligned.

(7) Take out the part outside the vehicle so that the body is not damaged by the hinges.

Curtain Airbag Sensor

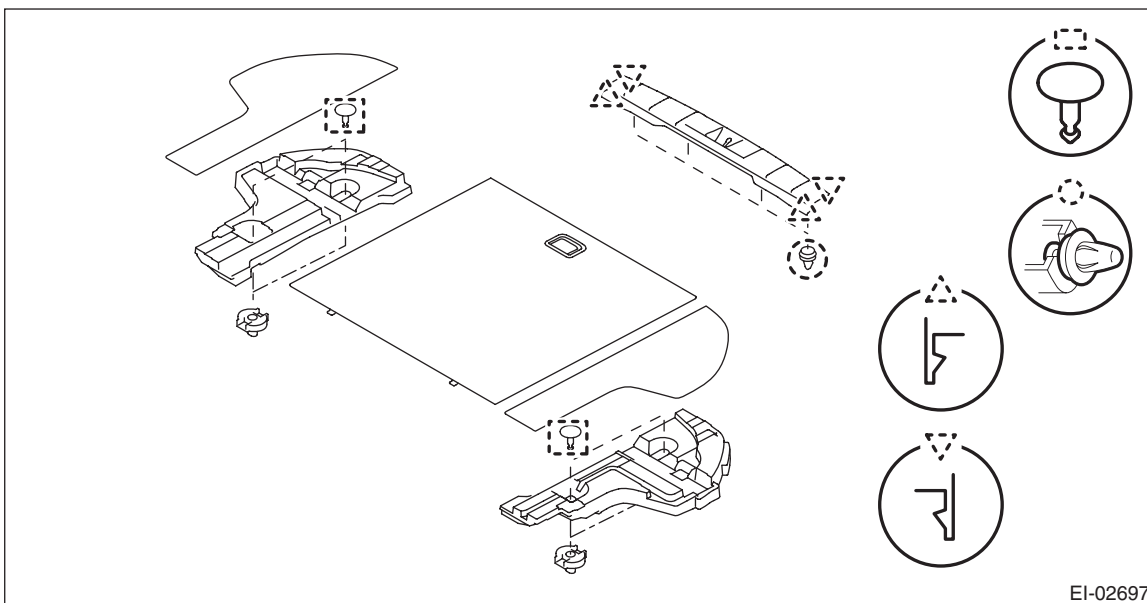
AIRBAG SYSTEM

6) Remove the bolts, and remove the backrest side pad assembly RH.



SE-01412

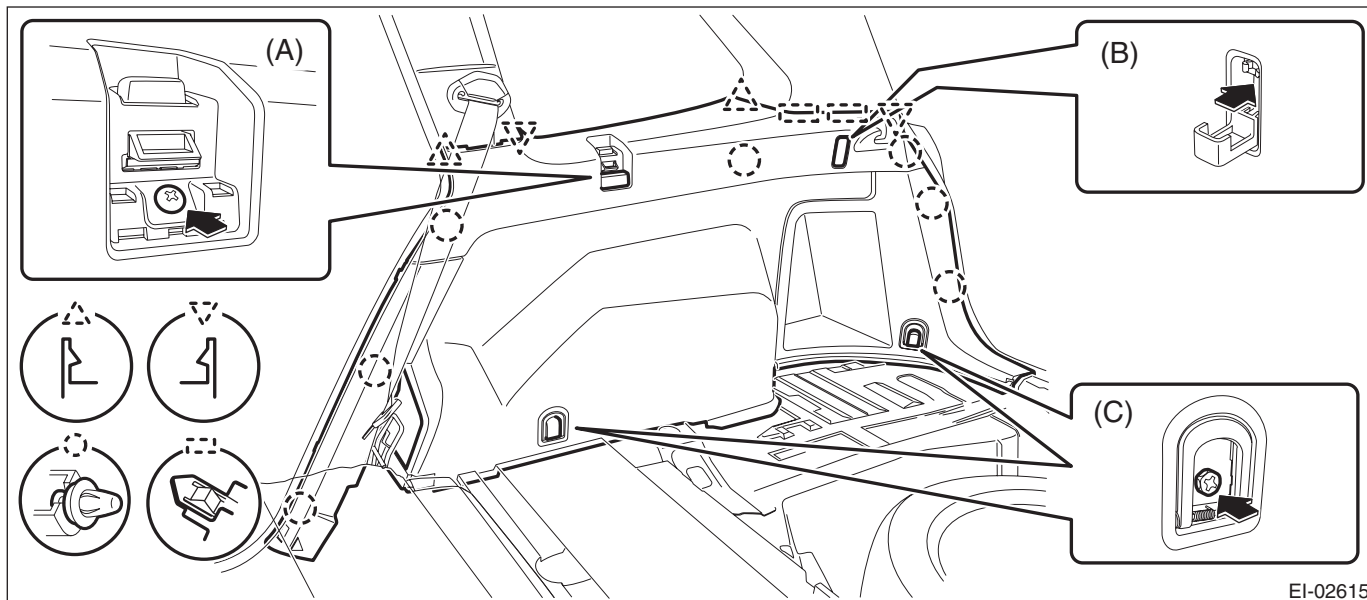
7) Remove the clips, and remove the luggage floor box and rear floor edge cover.



EI-02697

8) Remove the rear quarter trim LWR. (On the side where airbag sensor is removed)

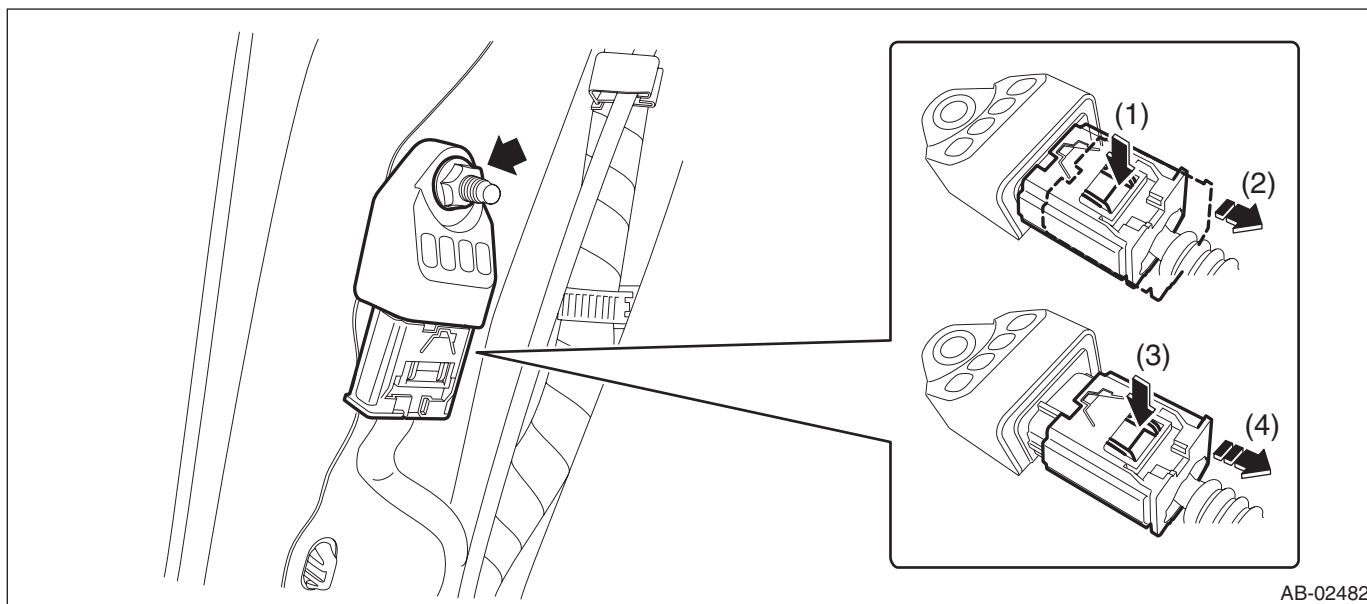
- (1) Remove the caps, screws, and bolts. (A), (C)
- (2) Take out the hook and remove the screw inside. (B)
- (3) Remove the clips, and remove the rear quarter trim LWR.



EI-02615

9) Remove the nut and then remove the curtain airbag sensor assembly.

- (1) Push the lock arm.
- (2) Holding outer part, pull it one step in the direction of arrow.
- (3) Push the lock arm again.
- (4) Holding outer part, pull it in the direction of arrow to disconnect the connector.



AB-02482

Curtain Airbag Sensor

AIRBAG SYSTEM

B: INSTALLATION

CAUTION:

- Do not reuse the bolt and nut.

Always replace with the specified new bolts and nuts.

- When installing the sensor, insert the set pin on the backside of the sensor into the hole on the body side securely.

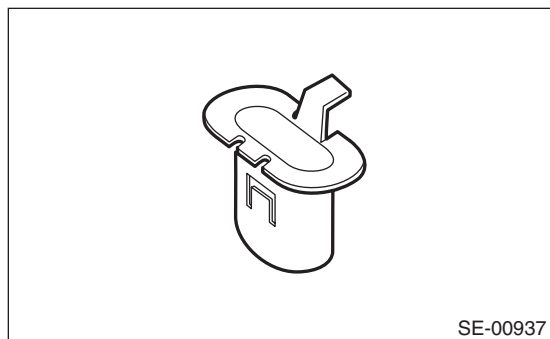
1) Before installation, inspect the following items and replace any faulty part with a new one.

- Curtain airbag sensor or connector is damaged.
- Curtain airbag has been activated.

2) Install each part in the reverse order of removal.

CAUTION:

If the hook is disconnected from the vehicle body, replace the hook with the new part to prevent the decline of the fixed force of the seat.



Tightening torque:

Curtain airbag sensor: 7.5 N·m (0.76 kgf-m, 5.5 ft-lb)