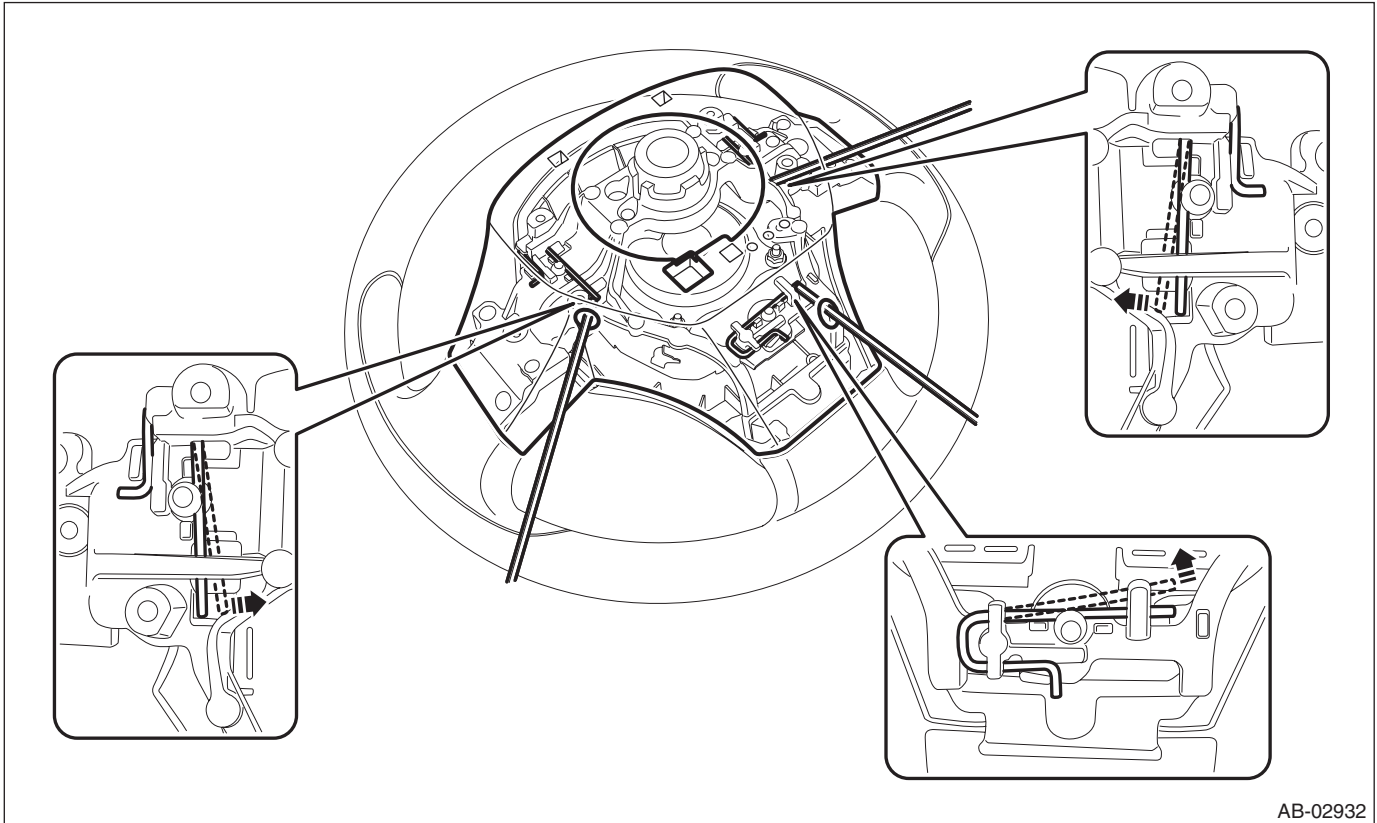


13. Roll Connector

A: REMOVAL

- 1) Position the front wheels straight ahead. (After moving a vehicle 5 m (16 ft) or more with front wheels positioned straight ahead, make sure that the vehicle moves straight ahead.)
- 2) Turn the ignition switch to OFF.
- 3) Disconnect the ground cable from battery and wait for at least 60 seconds before starting work.
- 4) Remove the driver's airbag module assembly.
 - (1) Using a hexagon wrench etc. wrapped by protective tape, insert the snap pins and release the locks (3 locations).

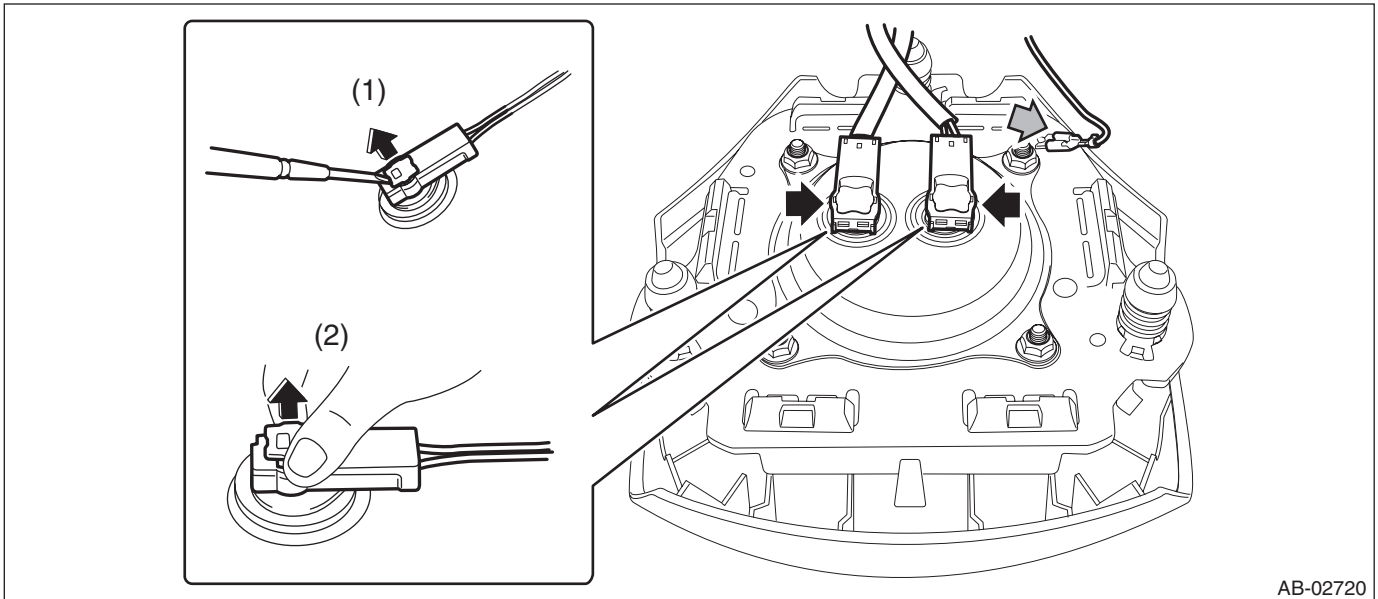


AB-02932

Roll Connector

AIRBAG SYSTEM

(2) Disconnect the horn harness and airbag connector and remove the airbag module assembly. <Ref. to AB-22, DRIVER'S AIRBAG MODULE, CURTAIN AIRBAG MODULE, PRETENSIONER & LAP SEAT BELT PRETENSIONER, PROCEDURE, Airbag Connector.>

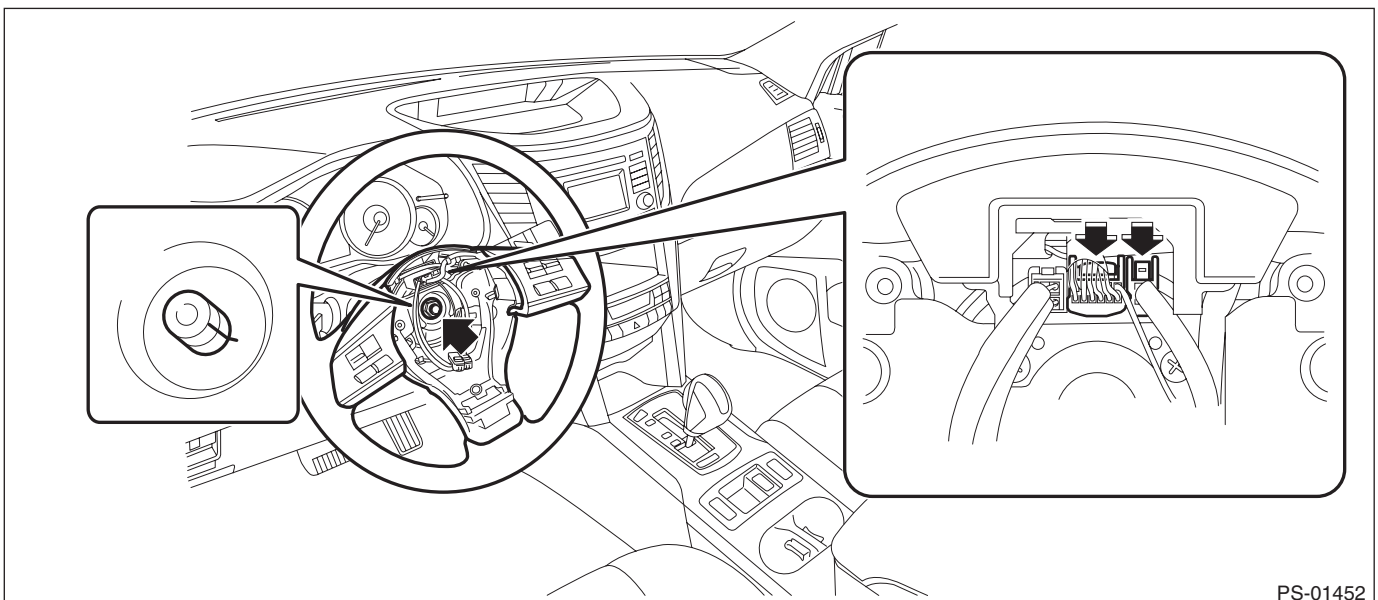


5) Remove the steering wheel.

CAUTION:

- Always use the steering wheel puller for removal to avoid deforming the steering wheel.
- If the steering wheel has been removed, make sure that the roll connector is not turned from the original position.

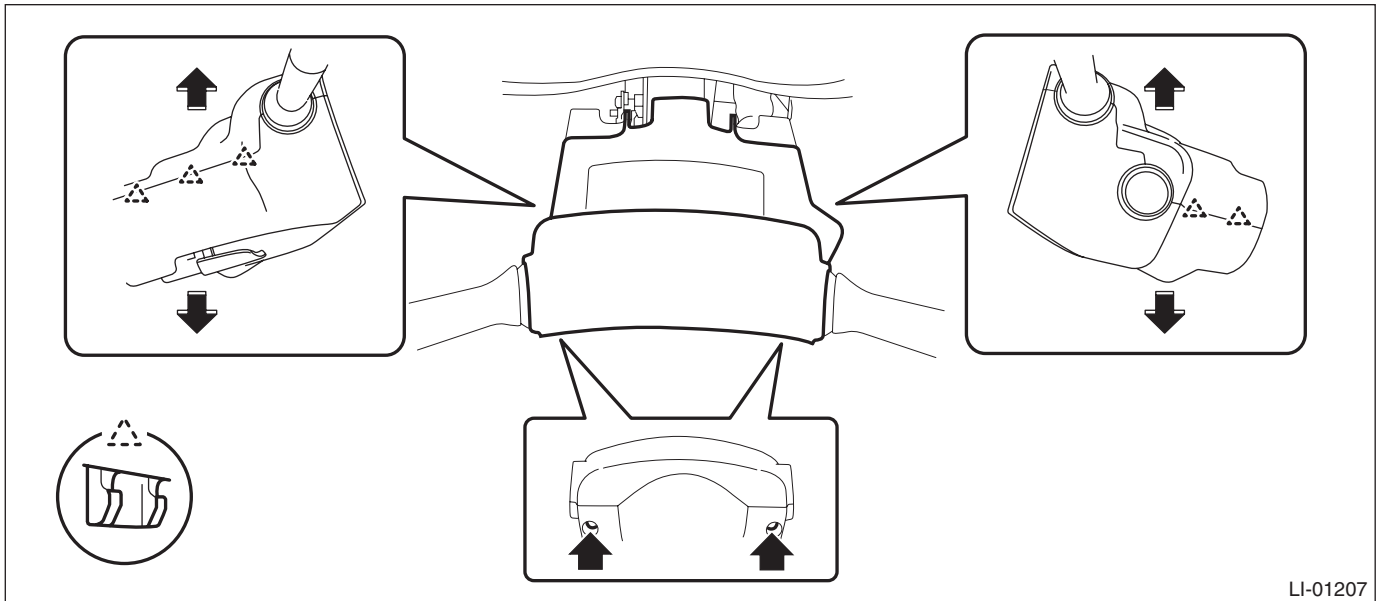
- (1) Disconnect the connector and remove the nut.
- (2) Put alignment marks and remove the steering wheel.



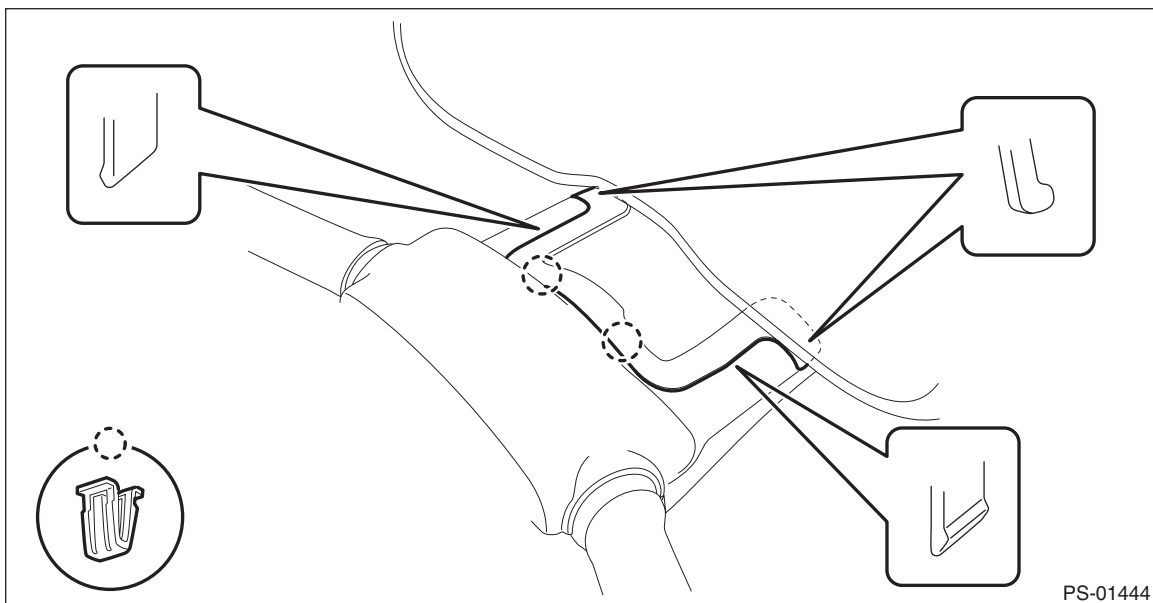
6) Remove the steering column cover.

(1) Lower the lever of the steering column.

(2) Release the claws and remove the screws, then detach the steering column lower cover.



(3) Separate the steering column upper cover and steering upper cover, and remove the steering column upper cover.



Roll Connector

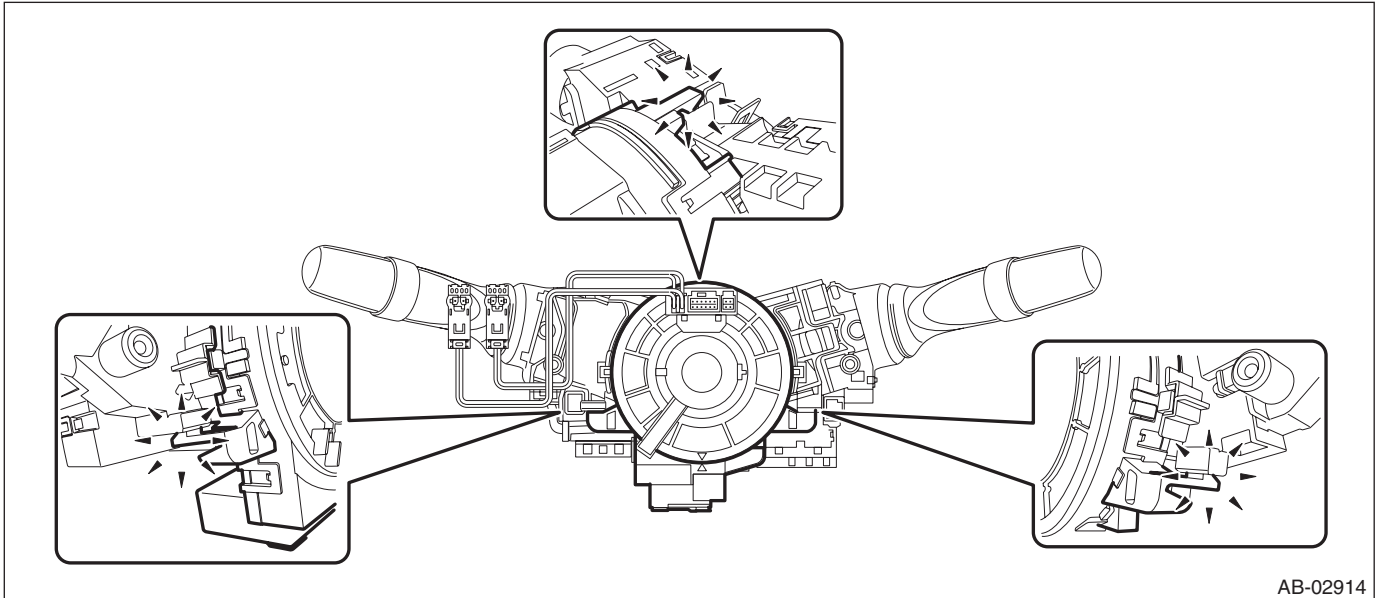
AIRBAG SYSTEM

7) Remove the roll connector.

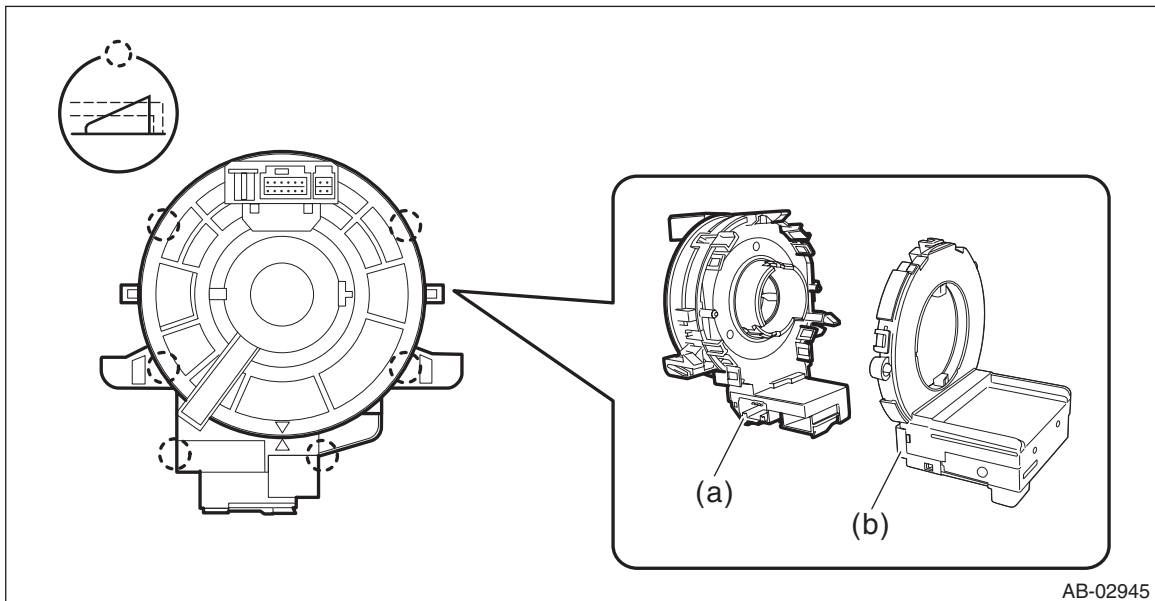
CAUTION:

Make sure that the roll connector is not turned from the original position.

- (1) Disconnect the connector under the roll connector.
- (2) Release the claws and remove the roll connector.

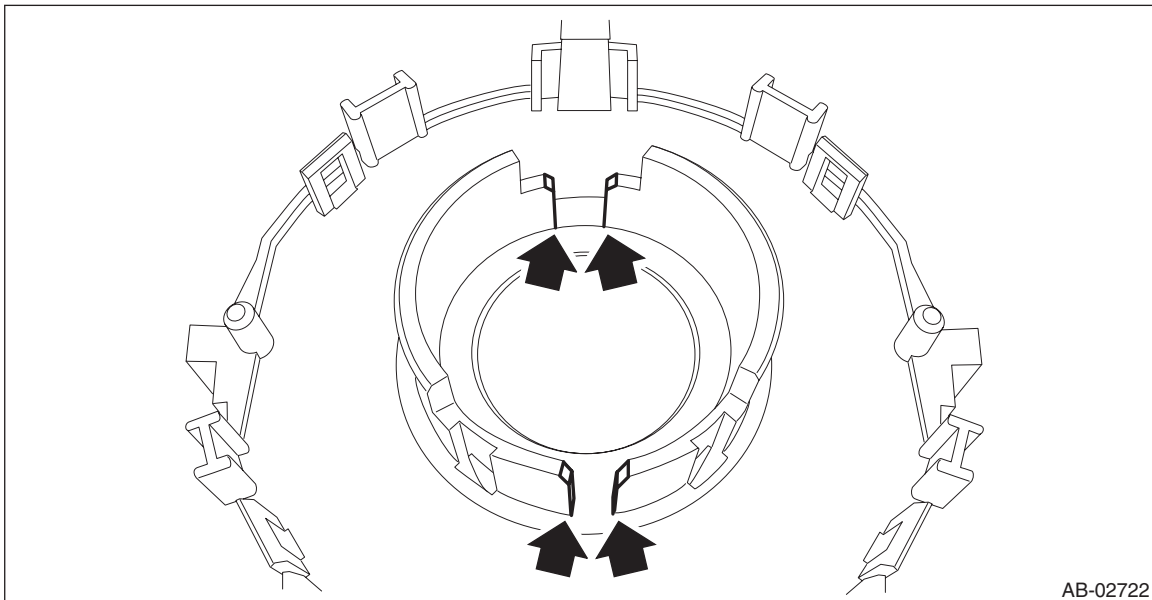


(3) Release the claws and separate the roll connector (a) and steering angle sensor (b).



B: INSTALLATION

1) Before attaching a new roll connector, apply a thin coat of grease contained in the connector onto the areas shown by the arrows.



AB-02722

2) Install each part in the reverse order of removal.

3) Before installing steering wheel, be sure to adjust the direction of roll connector with steering. <Ref. to AB-109, ADJUSTMENT, Roll Connector.>

Tightening torque:

Steering wheel: 39 N·m (3.98 kgf·m, 28.8 ft·lb)

Clearance:

Between column cover and steering wheel: 4 — 6 mm (0.16 — 0.24 in)

C: INSPECTION

1. VISUAL INSPECTION

Check for the following, and replace the damaged parts with new parts.

- Combination switch is cracked or deformed.
- Roll connector is cracked or deformed.

2. UNIT INSPECTION OF ROLL CONNECTOR

CAUTION:

- Do not rotate the roll connector to more than the specified number of turns. Otherwise, the roll connector internal wire may be broken.
- When determining the end stop, rotate the connector slowly without applying excessive force. Applying excessive force at the end stop may break the internal wire.

1) Adjust the roll connector. <Ref. to AB-109, ADJUSTMENT, Roll Connector.>

2) Set the roll connector to the central position.

3) Connect the test harness to the connector E and connector F.

Preparation tool:

Test harness N (98299SA000)

Test harness Q (98299SA040)

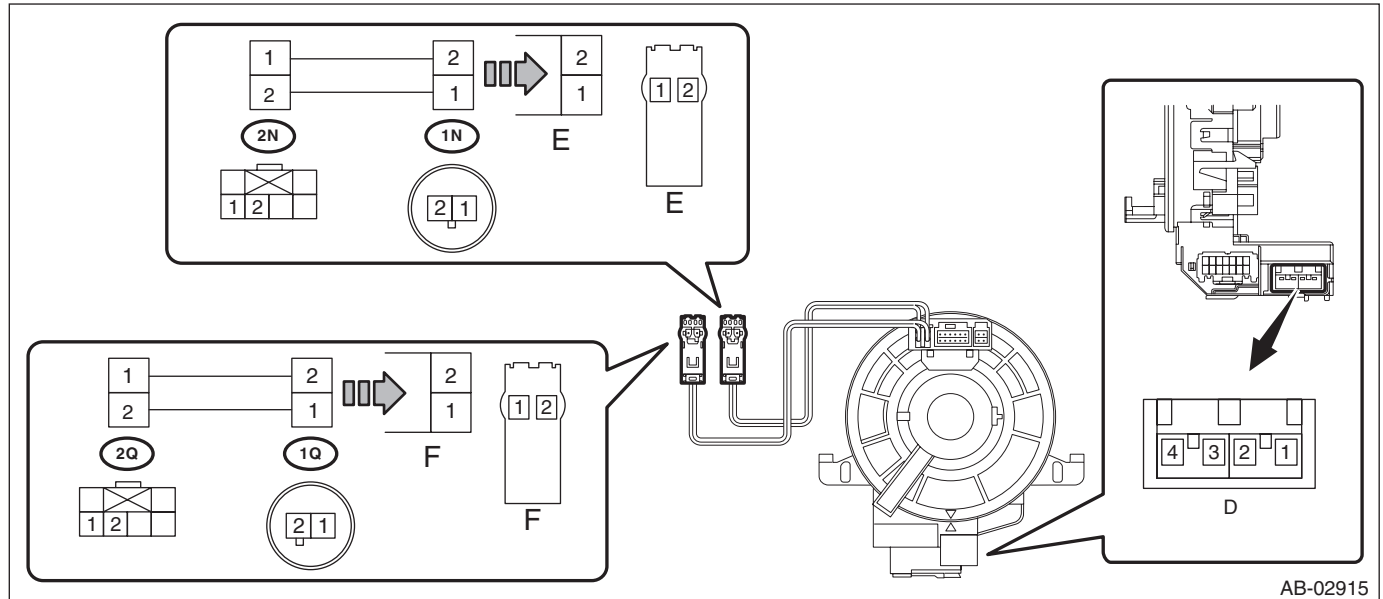
- Connector E - Test harness N (1N)
- Connector F - Test harness Q (1Q)

Roll Connector

AIRBAG SYSTEM

- 4) With the following conditions, check the resistance between the test harness connector terminals.
- Perform the check with the roll connector centered (front wheels direct straightforward).
 - Rotate the roll connector counterclockwise from the center (front wheels direct straightforward) to an end stop. Then, perform the check while rotating it clockwise to approximately 4.5 turns.

Preparation tool:
Circuit tester



Terminal No.	Inspection conditions	Standard
(2N) No. 1 — (2N) No. 2	Always	Less than 1 Ω
(2Q) No. 1 — (2Q) No. 2	Always	Less than 1 Ω

NOTE:

The connector D is designed to short the terminals D1/D2 and D3/D4 when disconnected.

- 5) Replace the roll connector with a new part if the inspection result is not within the standard value.

D: ADJUSTMENT**CAUTION:**

- Do not rotate the roll connector to more than the specified number of turns. Otherwise, the roll connector internal wire may be broken.

- When determining the end stop, rotate the connector slowly without applying excessive force. Applying excessive force at the end stop may break the internal wire.

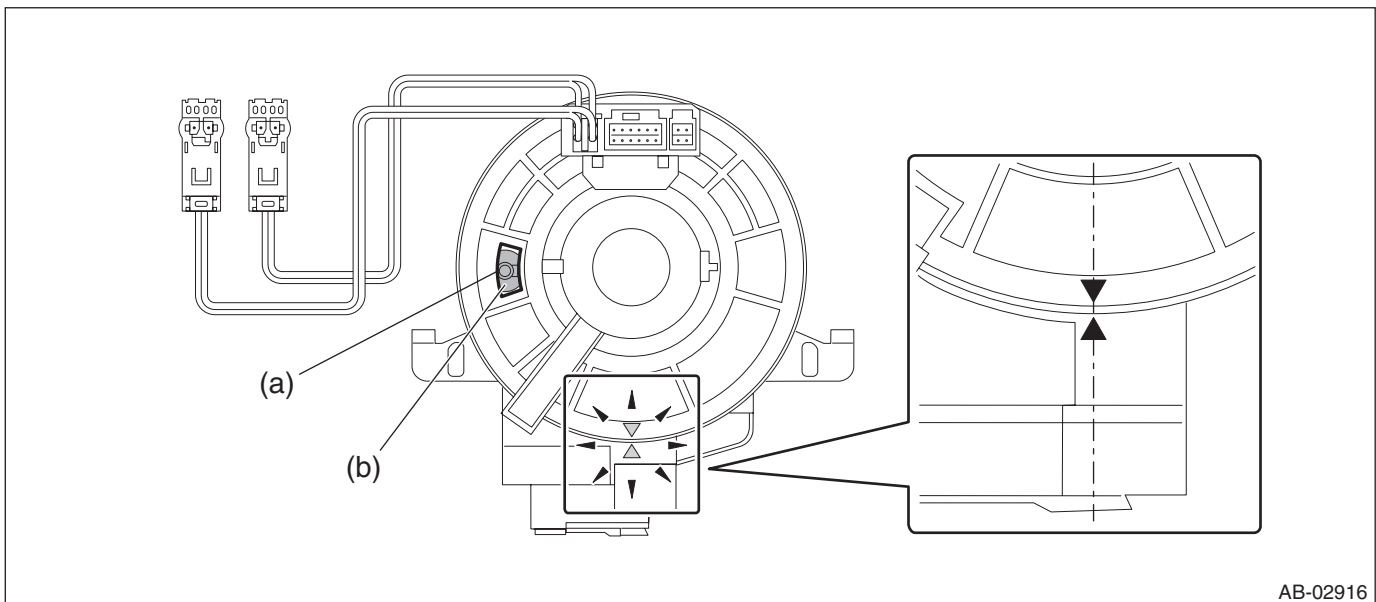
- 1) Check that front wheels are positioned in straight ahead direction.

- 2) Rotate the roll connector counterclockwise until it stops.

- 3) Rotate the roll connector clockwise approx. 2.5 turns until “▲” marks are aligned.

NOTE:

When the roll connector comes to the center position, the orange roller (b) can be seen from the sight glass (a).



AB-02916

Roll Connector

AIRBAG SYSTEM

AIRBAG SYSTEM (DIAGNOSTICS)

AB(diag)

	Page
1. Basic Diagnostic Procedure	2
2. Check List for Interview	3
3. General Description	4
4. Electrical Component Location	17
5. Airbag Connector	20
6. Airbag Control Module I/O Signal	21
7. Subaru Select Monitor	24
8. Read Diagnostic Trouble Code (DTC)	27
9. Inspection Mode	28
10. Clear Memory Mode	29
11. Display of Status Information	30
12. Event Record Data	31
13. Airbag Warning Light Illumination Pattern	32
14. Airbag Warning Light Failure	33
15. List of Diagnostic Trouble Code (DTC)	34
16. Diagnostic Chart with Trouble Code	44