

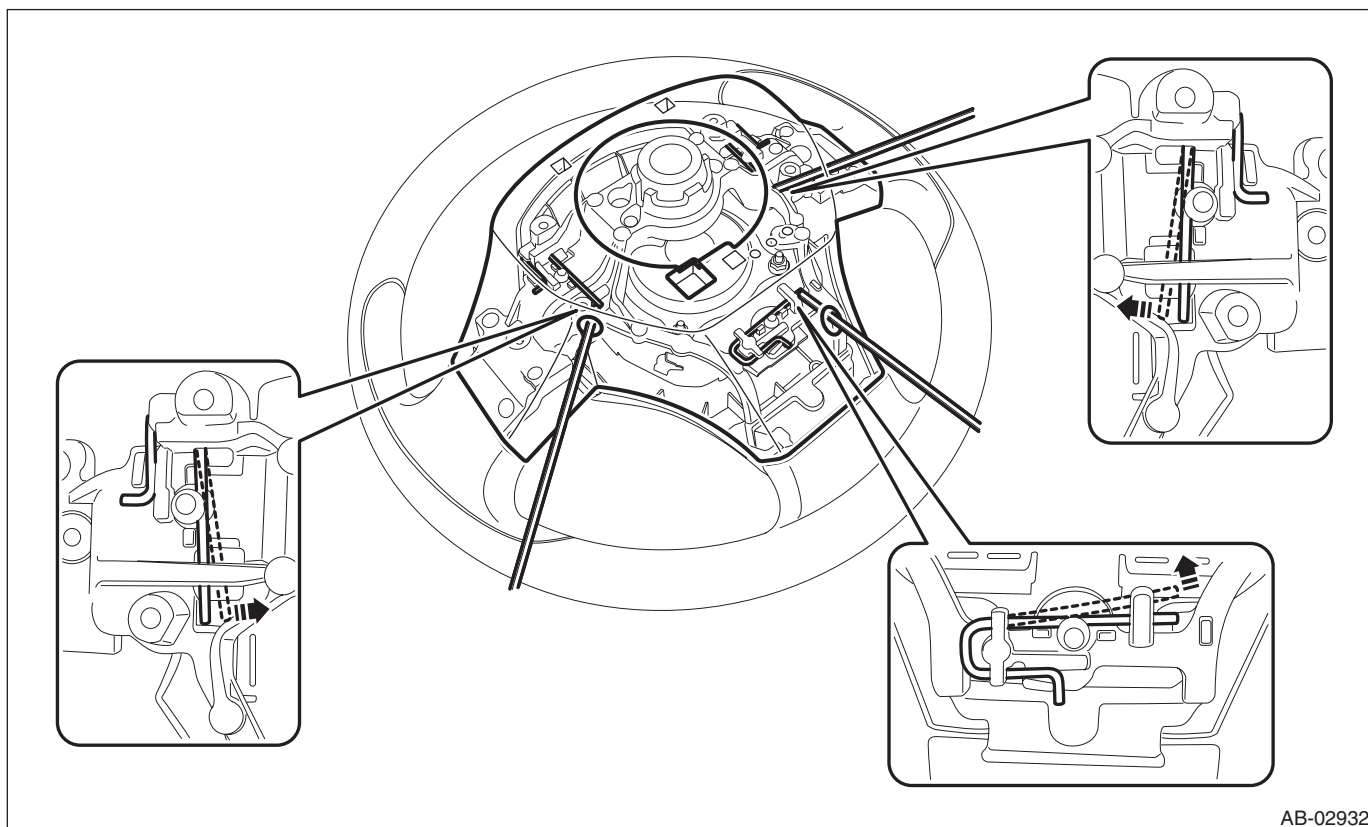
4. Driver's Airbag Module

A: REMOVAL

CAUTION:

Refer to "CAUTION" of "General Description" before handling the airbag module. <Ref. to AB-10, CAUTION, General Description.>

- 1) Position the front wheels straight ahead. (After moving a vehicle 5 m (16 ft) or more with front wheels positioned straight ahead, make sure that the vehicle moves straight ahead.)
- 2) Turn the ignition switch to OFF.
- 3) Disconnect the ground cable from battery and wait for at least 60 seconds before starting work.
- 4) Remove the driver's airbag module assembly.
 - (1) Using a hexagon wrench etc. wrapped by protective tape, insert the snap pins and release the locks (3 locations).

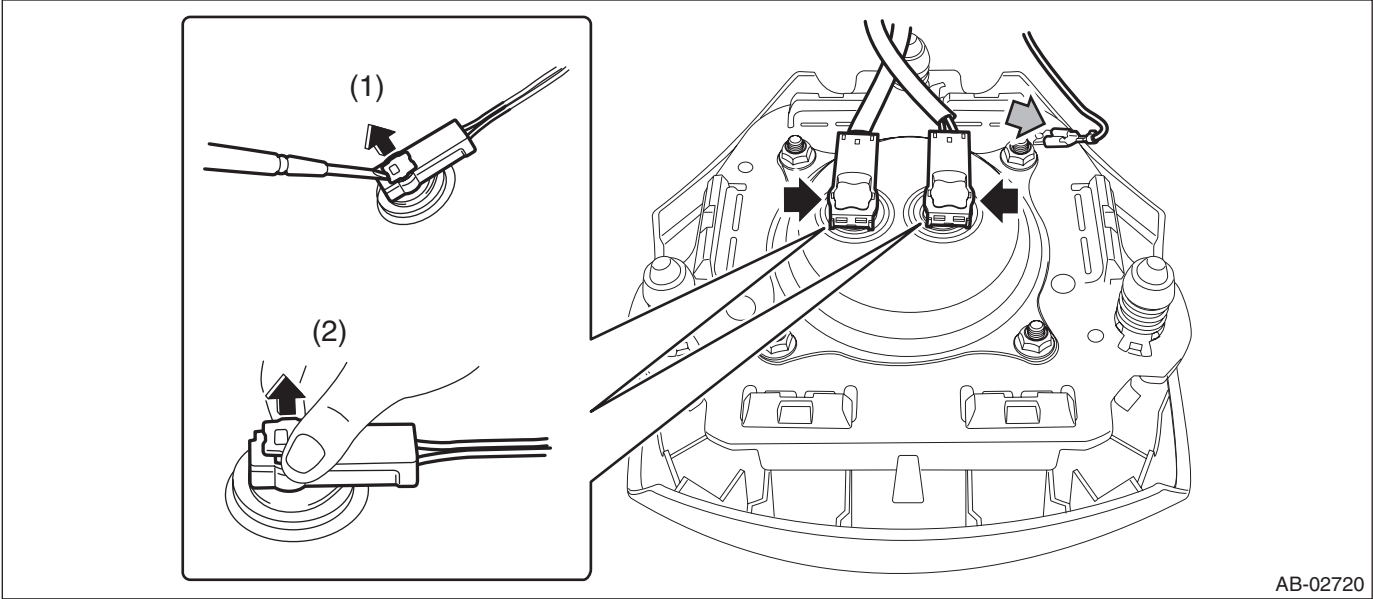


AB-02932

Driver's Airbag Module

AIRBAG SYSTEM

(2) Disconnect the horn harness and airbag connector and remove the airbag module assembly. <Ref. to AB-22, DRIVER'S AIRBAG MODULE, CURTAIN AIRBAG MODULE, PRETENSIONER & LAP SEAT BELT PRETENSIONER, PROCEDURE, Airbag Connector.>



AB-02720

B: INSTALLATION**CAUTION:**

- Refer to “CAUTION” of “General Description” before handling the airbag module. <Ref. to AB-10, CAUTION, General Description.>
 - **Do not allow harness and connectors to interfere or get tangled up with other parts.**
- 1) Before installation, inspect the following items and replace any faulty part with a new one.
- Airbag module is cracked or deformed.
 - Harness and/or connector is cracked, deformed or open.
 - Harness wire is exposed.
 - The steering wheel is in the way, making it difficult to install the airbag module.
 - The steering wheel deformation in axial and vertical directions exceed limits.

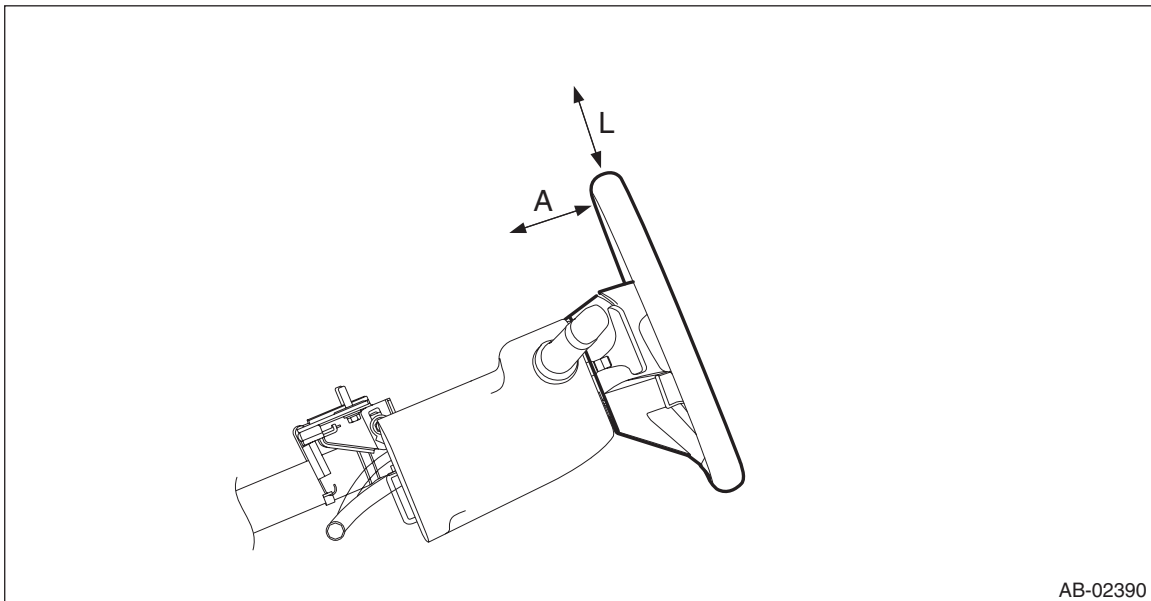
Specification:

Axial deflection A (deflection of steering wheel)

Less than 6 mm (0.24 in)

Vertical deflection L (runout of steering wheel)

Less than 17 mm (0.68 in)



AB-02390

- 2) Install each part in the reverse order of removal.

CAUTION:

- If the clearance between the driver's airbag module and steering wheel is not constant, replace it with a new part.
- Press in the airbag module, and securely fit three pins.