

Passenger's Airbag Module

AIRBAG SYSTEM

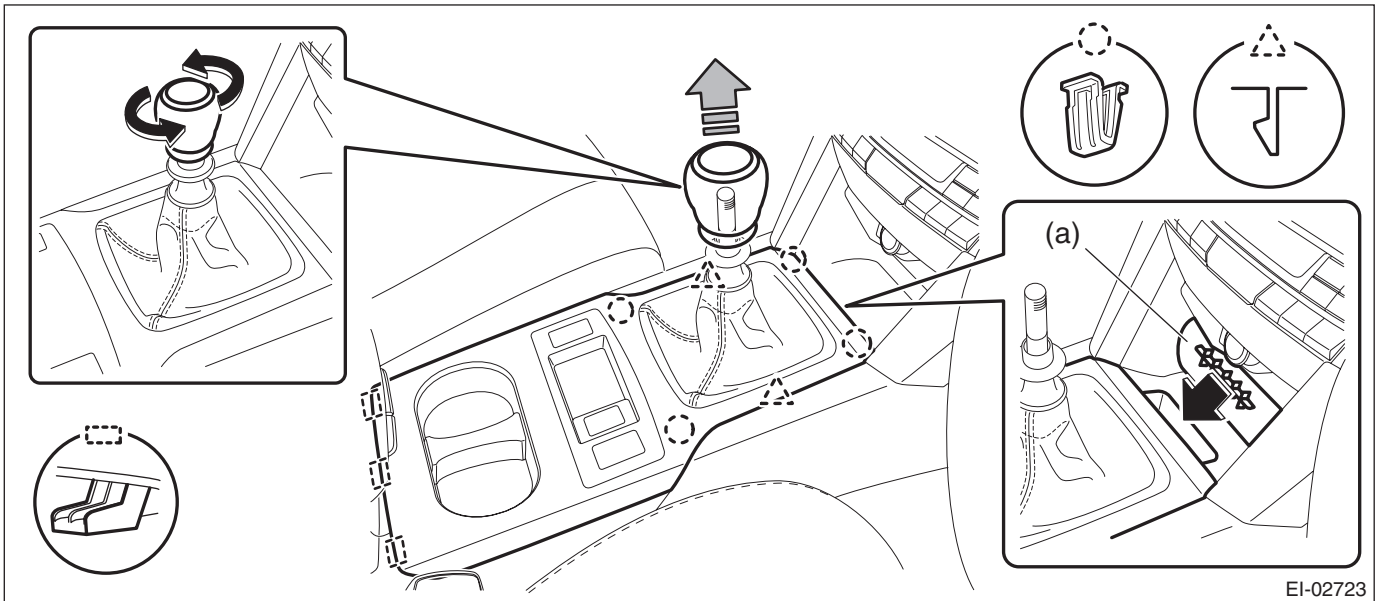
5. Passenger's Airbag Module

A: REMOVAL

CAUTION:

Refer to "CAUTION" of "General Description" before handling the airbag module. <Ref. to AB-10, CAUTION, General Description.>

- 1) Turn the ignition switch to OFF.
- 2) Disconnect the ground cable from battery and wait for at least 60 seconds before starting work.
- 3) Remove the console front cover assembly.
 - MT model
 1. Remove the shift knob.
 2. Release the clips and claws, then pull up the console front cover assembly.

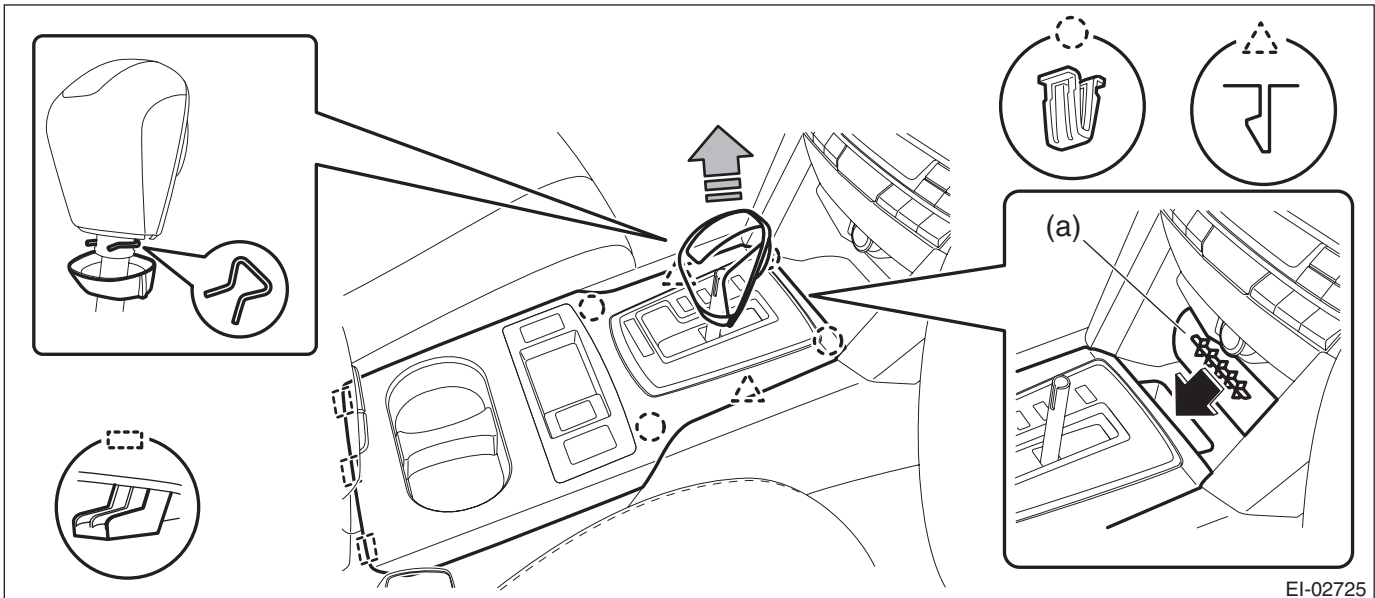


NOTE:

Turn over the front center pocket mat (a) and pull up the console front cover from the slit.

3. Disconnect the harness connector and remove the console front cover assembly.

- AT model / CVT model
 1. Remove the select lever knob.
 - a. Lower the cover grip AT.
 - b. Remove the clamp grip pin, then remove the select lever knob.
 2. Release the clips and claws, then pull up the console front cover assembly.

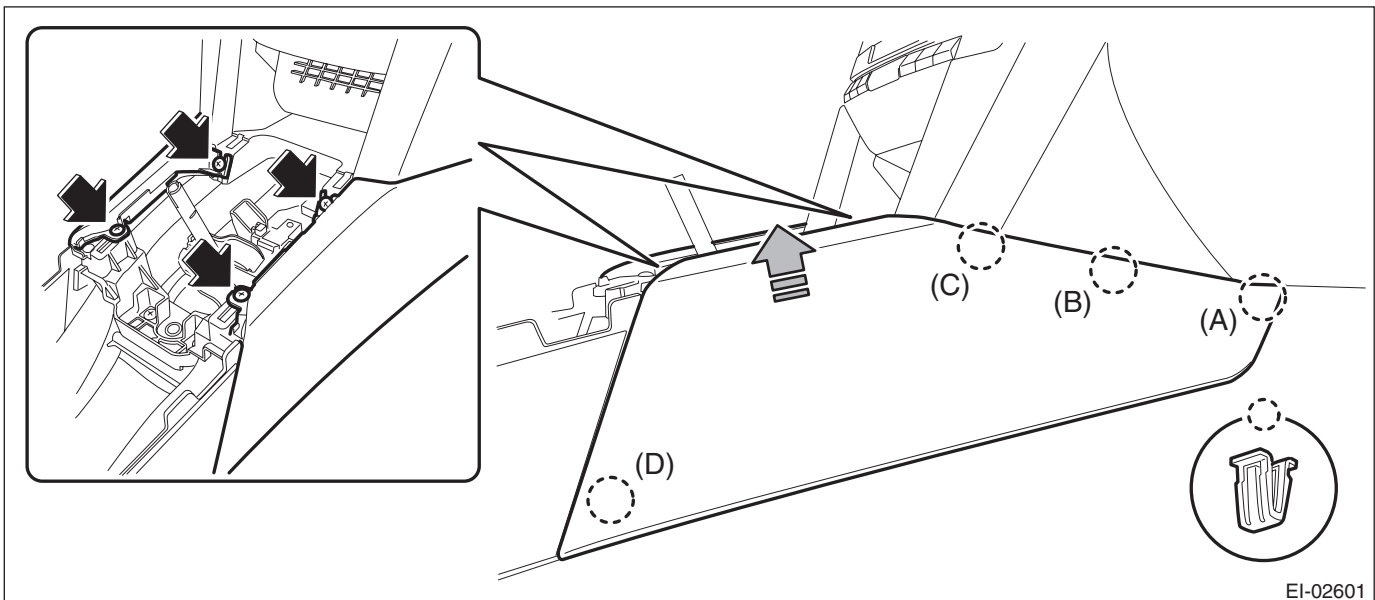


EI-02725

NOTE:

Turn over the front center pocket mat (a) and pull up the console front cover from the slit.

3. Disconnect the harness connector and remove the console front cover assembly.
- 4) Remove the left and right console front side cover assembly.
 - (1) Remove the screws and release the clips (A) to (D) in order.
 - (2) Remove the console front side cover assembly by pulling it up.



EI-02601

Passenger's Airbag Module

AIRBAG SYSTEM

5) Remove the console box assembly.

(1) Move the seat forward, and remove the bolts after detaching the left and right caps.

NOTE:

For a model with power seat, connect the battery ground cable and move the seat. Then, disconnect the battery ground cable again and wait for 60 seconds at least before restarting the work.

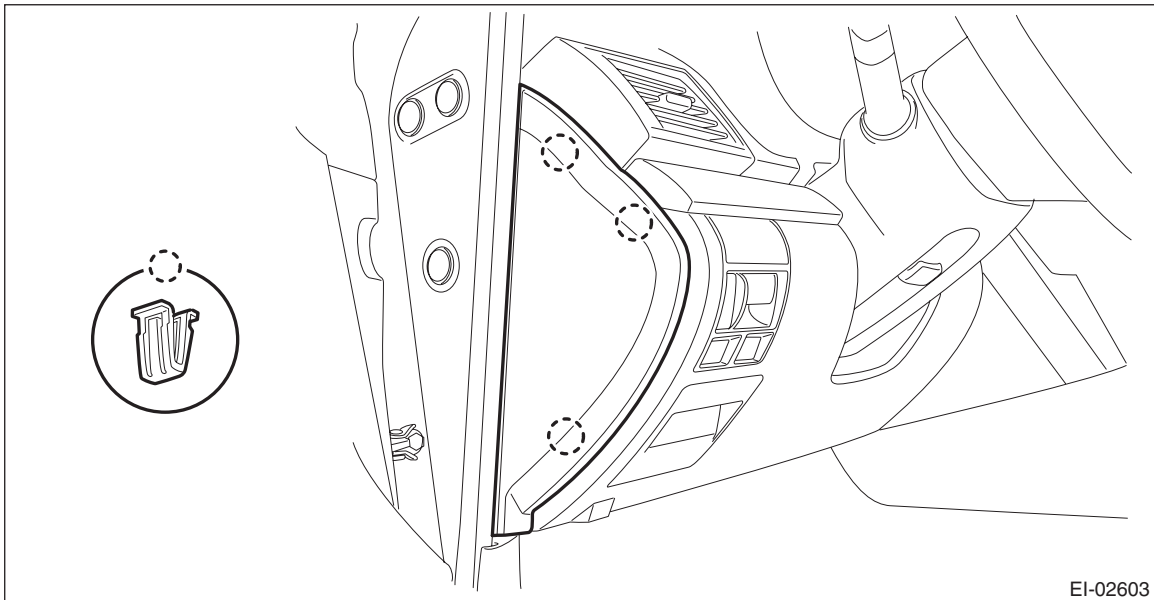
(2) Remove the screws, disconnect the harness connector and remove the console box assembly.



EI-03204

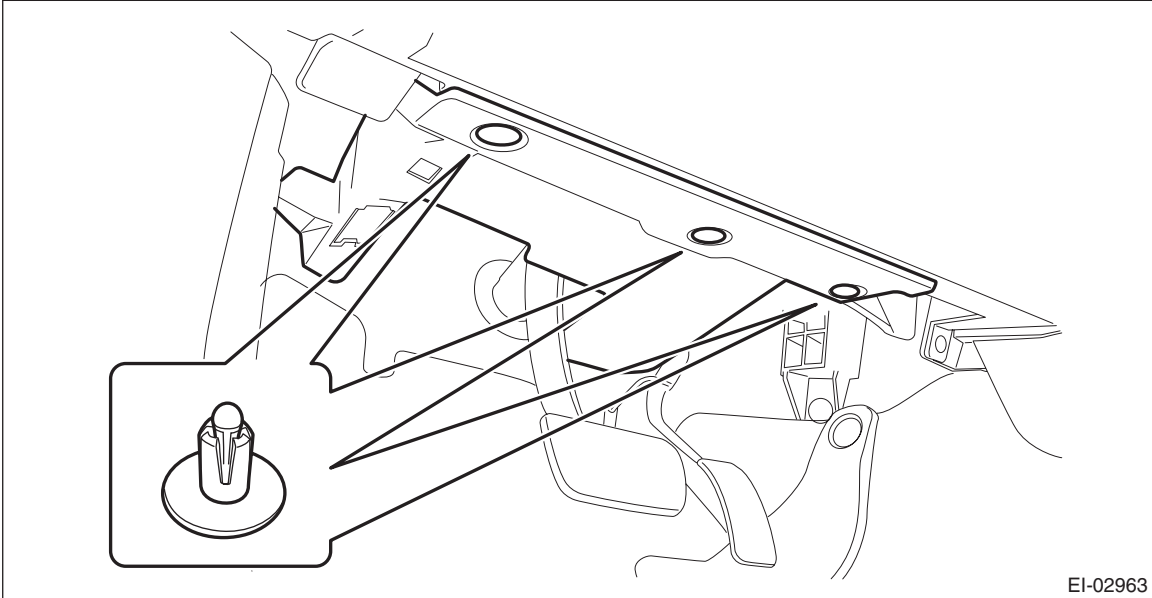
6) Remove the instrument panel lower cover.

(1) Remove the clips, and remove the instrument panel side cover LH.



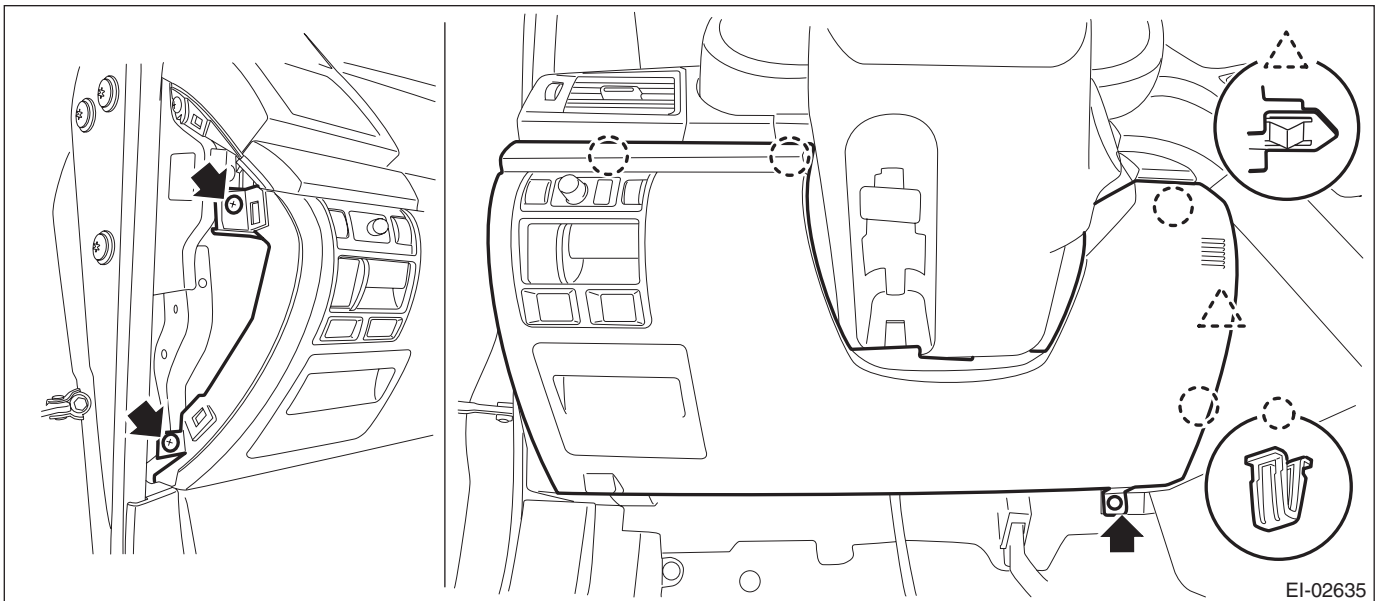
EI-02603

(2) Remove the clips and data link connector, and remove the instrument panel lower cover under.



EI-02963

(3) Remove the screws and clips and release the claws, and remove the instrument panel lower cover while disconnecting the harness connectors.



EI-02635

Passenger's Airbag Module

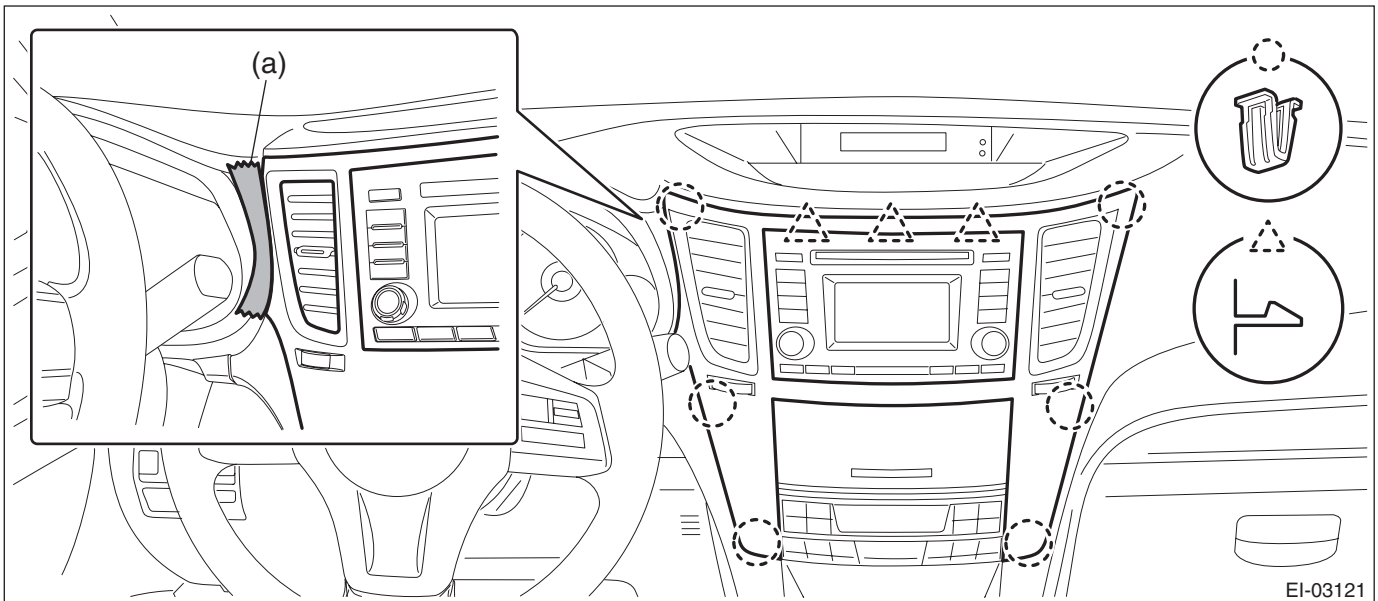
AIRBAG SYSTEM

7) Remove the center panel assembly.

CAUTION:

Do not put your finger on the fin of the air vent grille. Doing so may damage the fin.

(1) Attach the protective tape (a) to the meter visor.



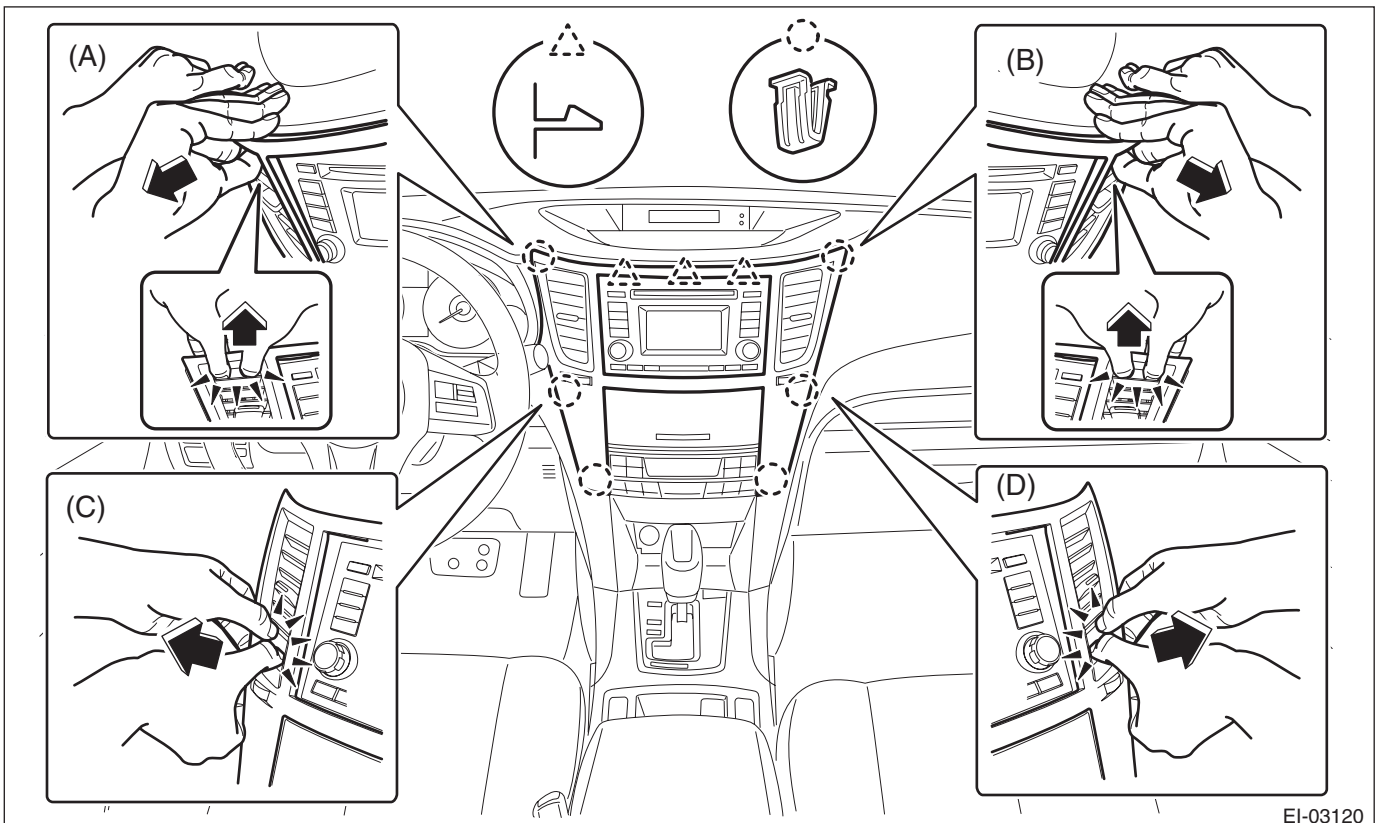
(2) Insert a finger into the air vent grille and release the left and right clips at the top of the center panel.

(A), (B)

(3) Insert a finger into the air vent grille and release the left and right clips at the center of the center panel.

(C), (D)

(4) Release the clips at the bottom of the center panel and remove the center panel assembly.

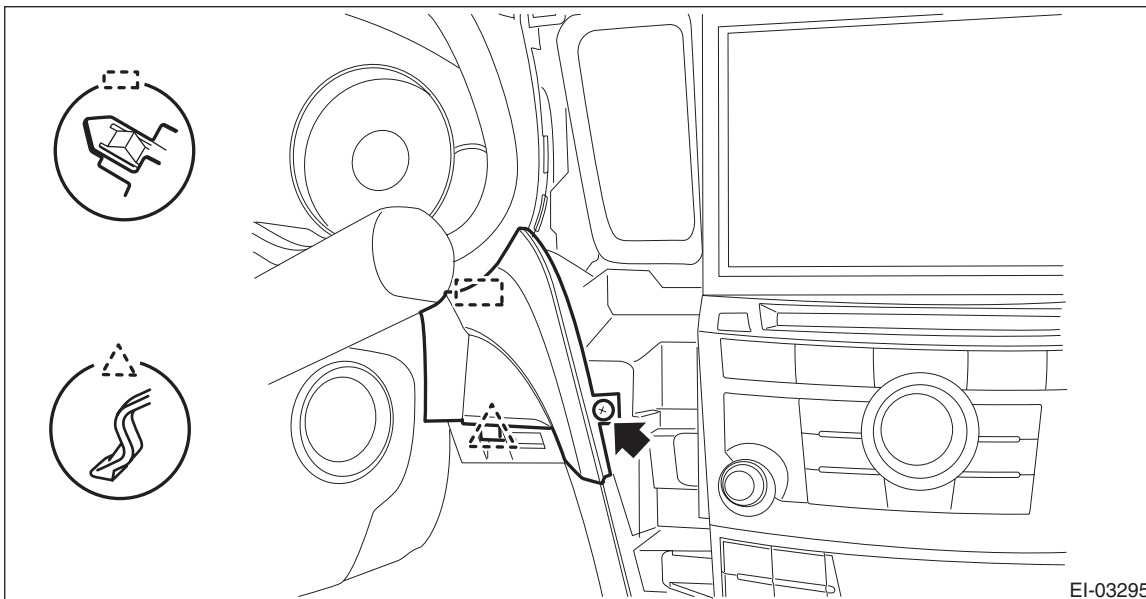


8) Remove the combination meter assembly.

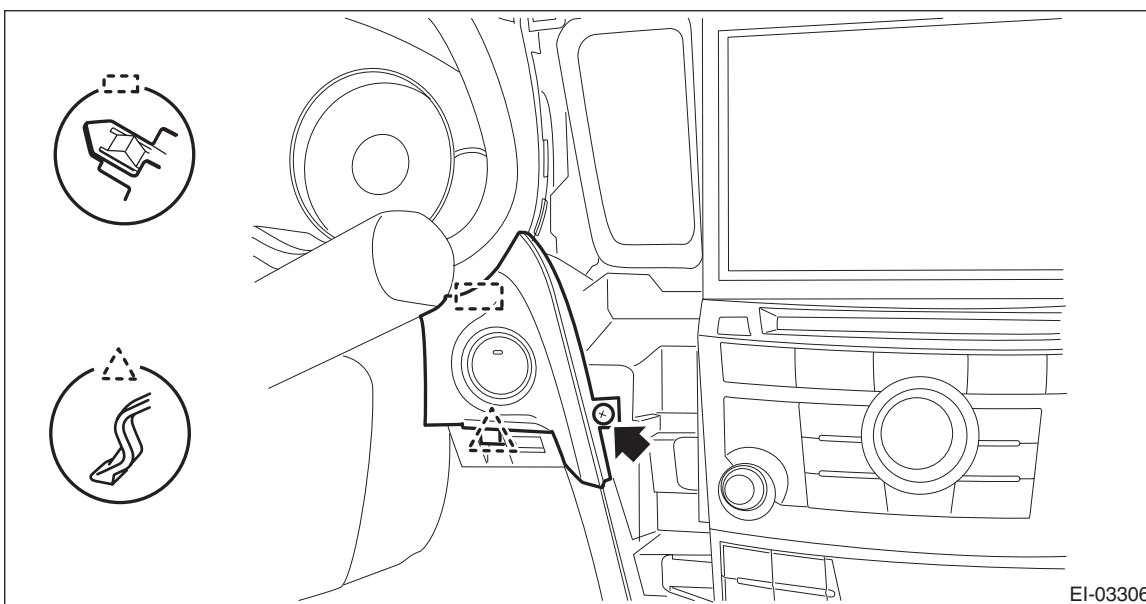
CAUTION:

- Be careful not to damage the meter or instrument panel.
- Pay particular attention to avoid damaging the meter glass.

(1) Remove the screws and release the claws, then detach the starter cover assembly.



EI-03295

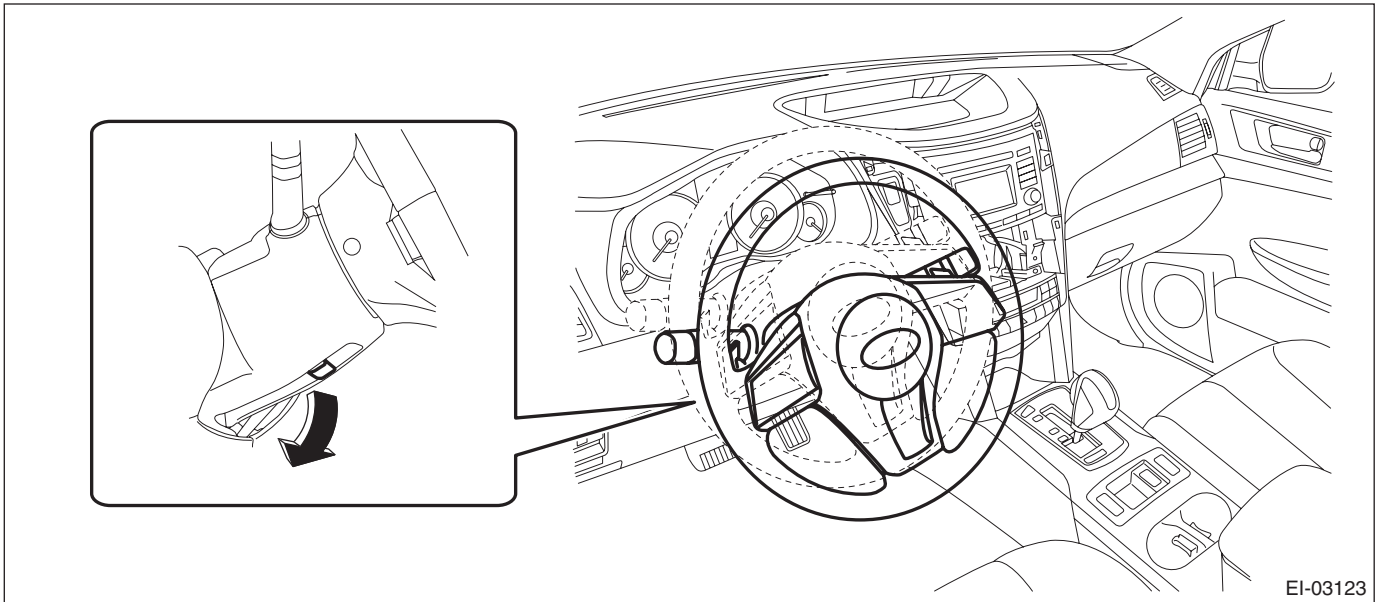


EI-03306

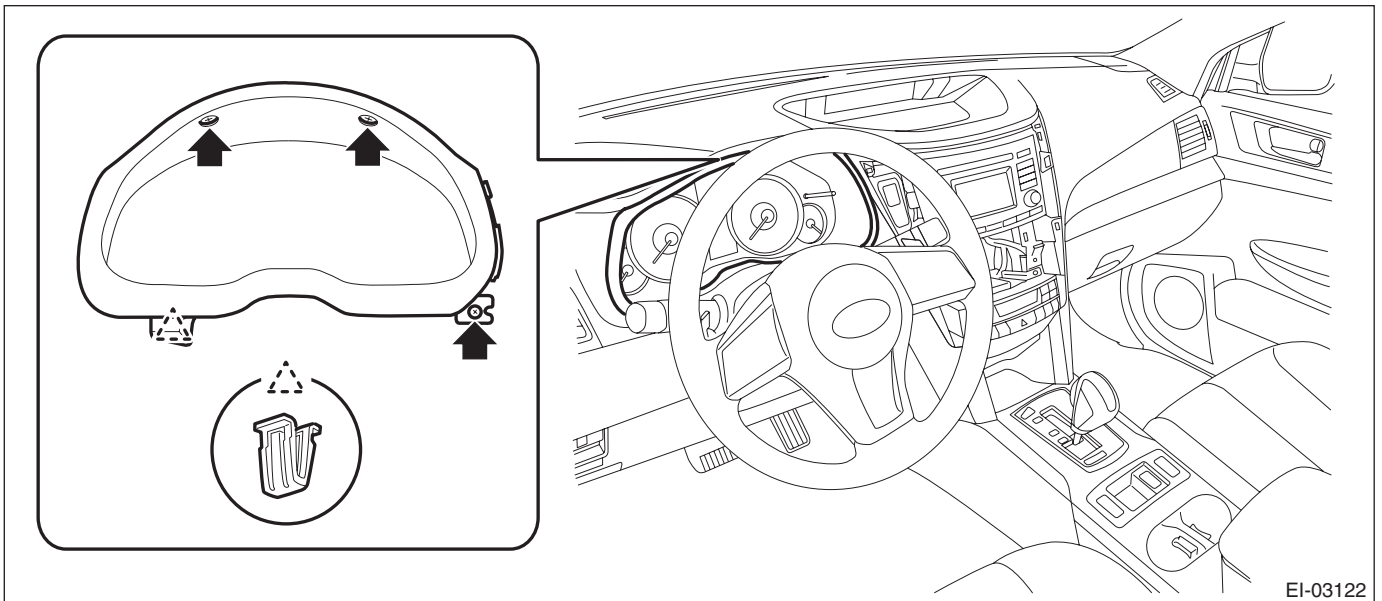
Passenger's Airbag Module

AIRBAG SYSTEM

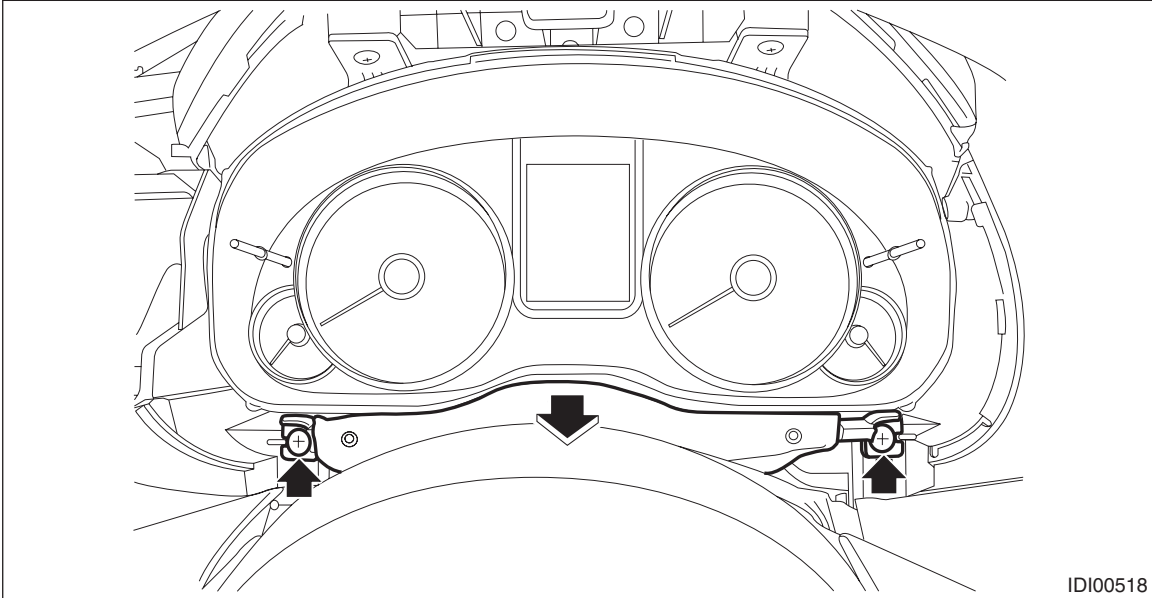
(2) Release the lock, tilt the steering column to the lowest end and fully extend the column by the telescopic system.



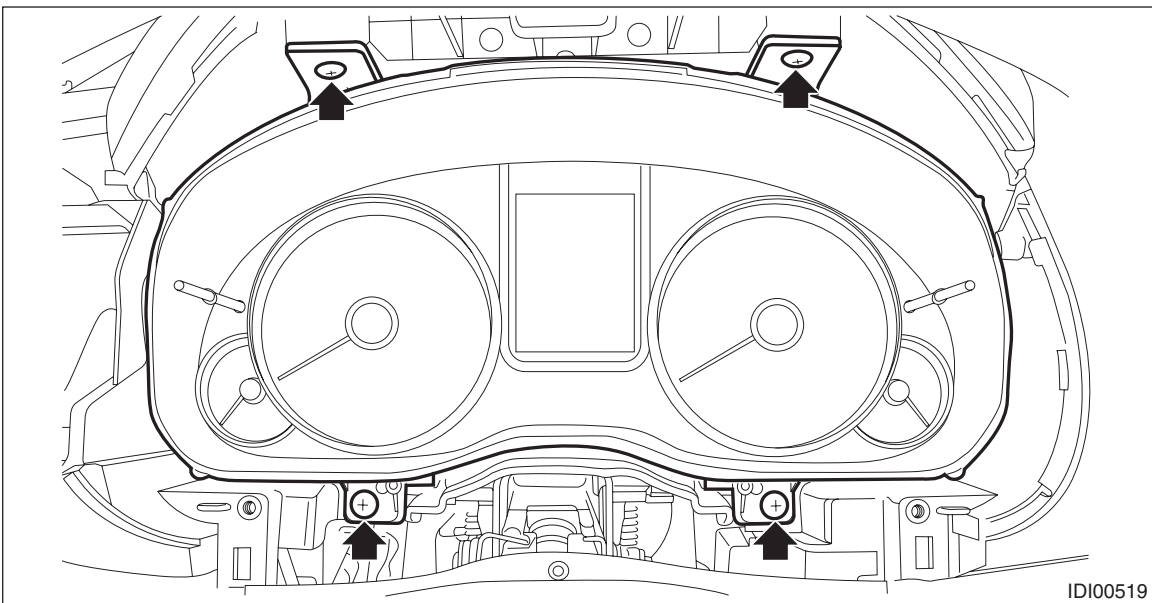
(3) Release the screws and clips, then detach the meter visor assembly.



- (4) Remove the screws and pull the steering COMPL upper cover toward you.



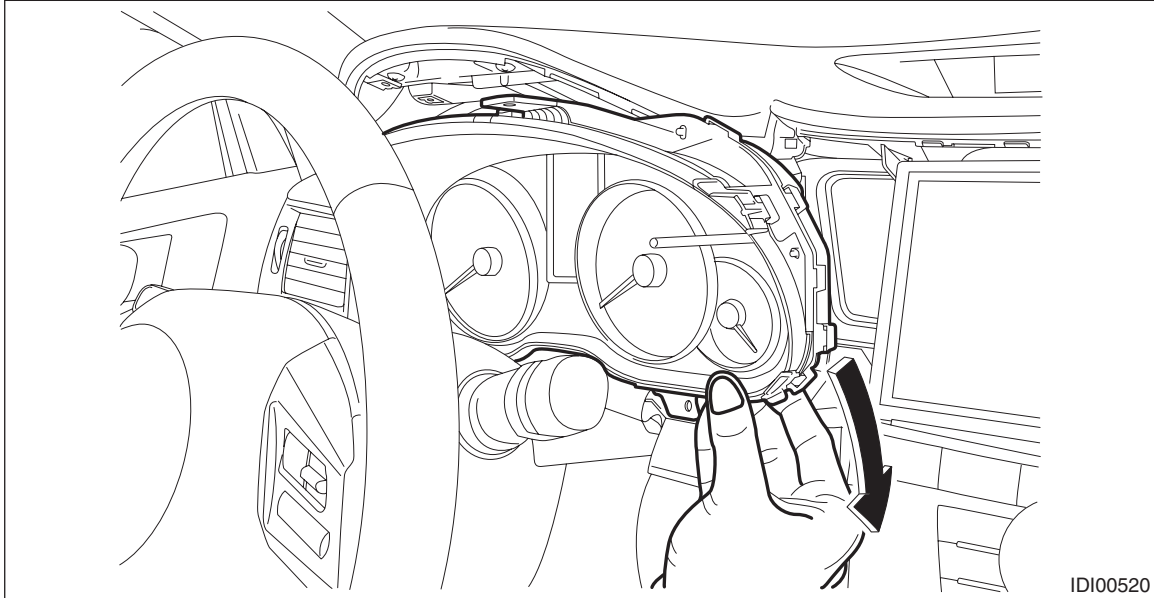
- (5) Remove the screws and pull out the combination meter toward you to disconnect the connectors.



Passenger's Airbag Module

AIRBAG SYSTEM

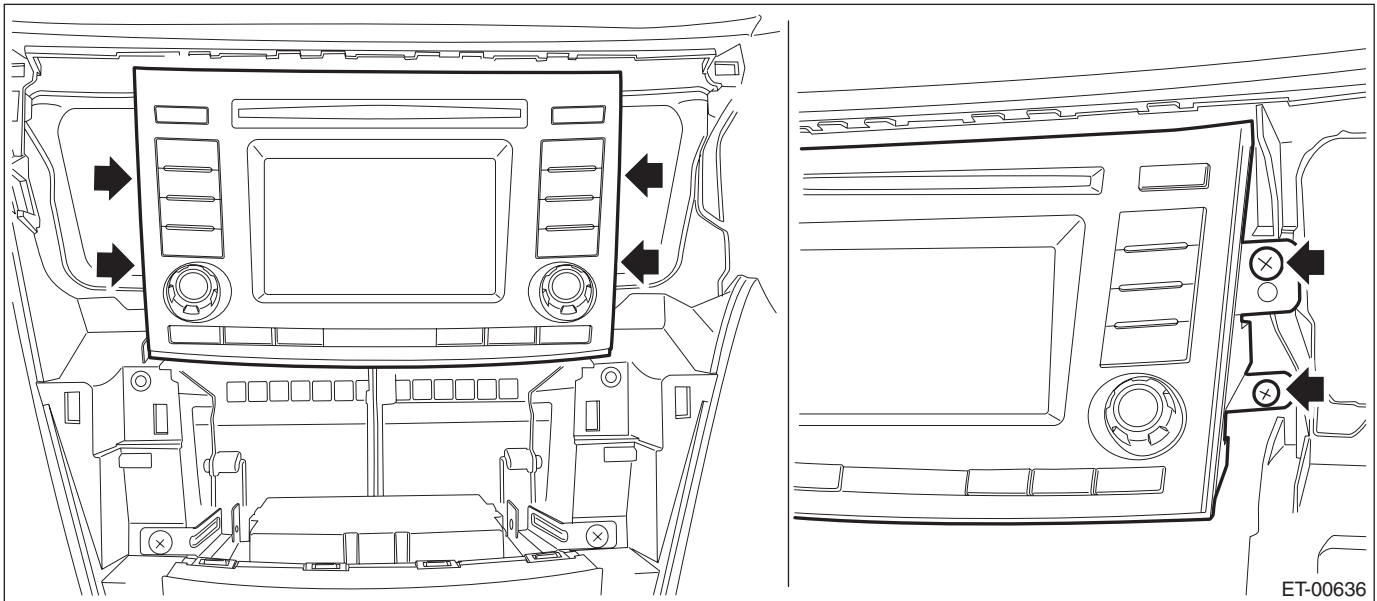
(6) Remove the combination meter assembly as shown in the figure.



ID100520

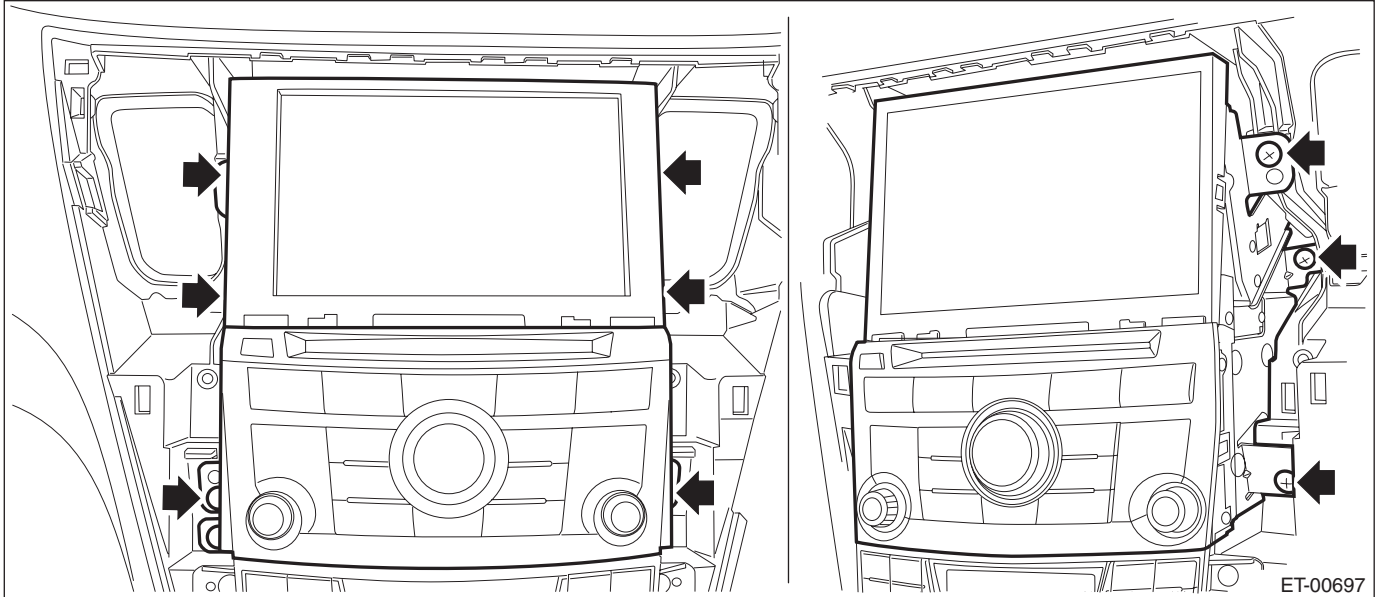
9) Remove the audio assembly.

- (1) Remove the left and right screws, and partially pull the audio out from center console.
- (2) Disconnect the connectors, and remove the audio assembly.

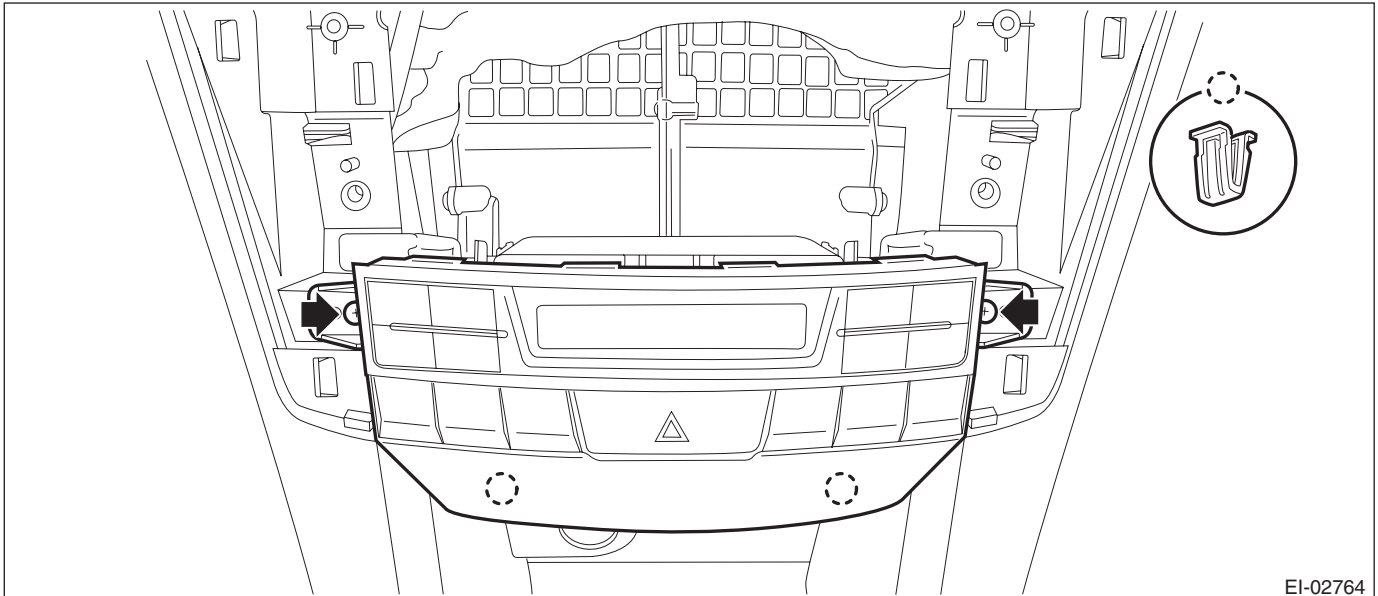


ET-00636

- 10) Remove the navigation assembly. (Model with navigation)
- (1) Remove the left and right screws.
 - (2) Disconnect the connectors, and remove the navigation assembly.



- 11) Remove the control panel assembly.
- (1) Remove the screws, and pull out the control panel assembly toward you.
 - (2) Disconnect the connector, and remove the control panel assembly.



Passenger's Airbag Module

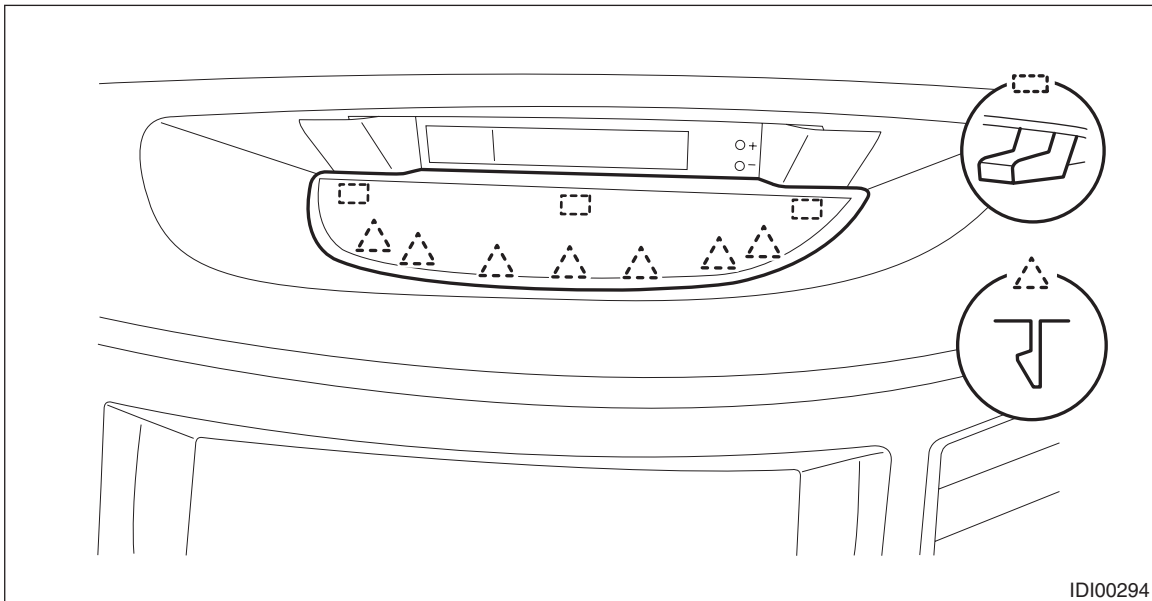
AIRBAG SYSTEM

12) Remove the multi display assembly.

CAUTION:

Be careful not to damage the multi display or instrument panel.

(1) Detach the center speaker cover by releasing the claws and hooks.

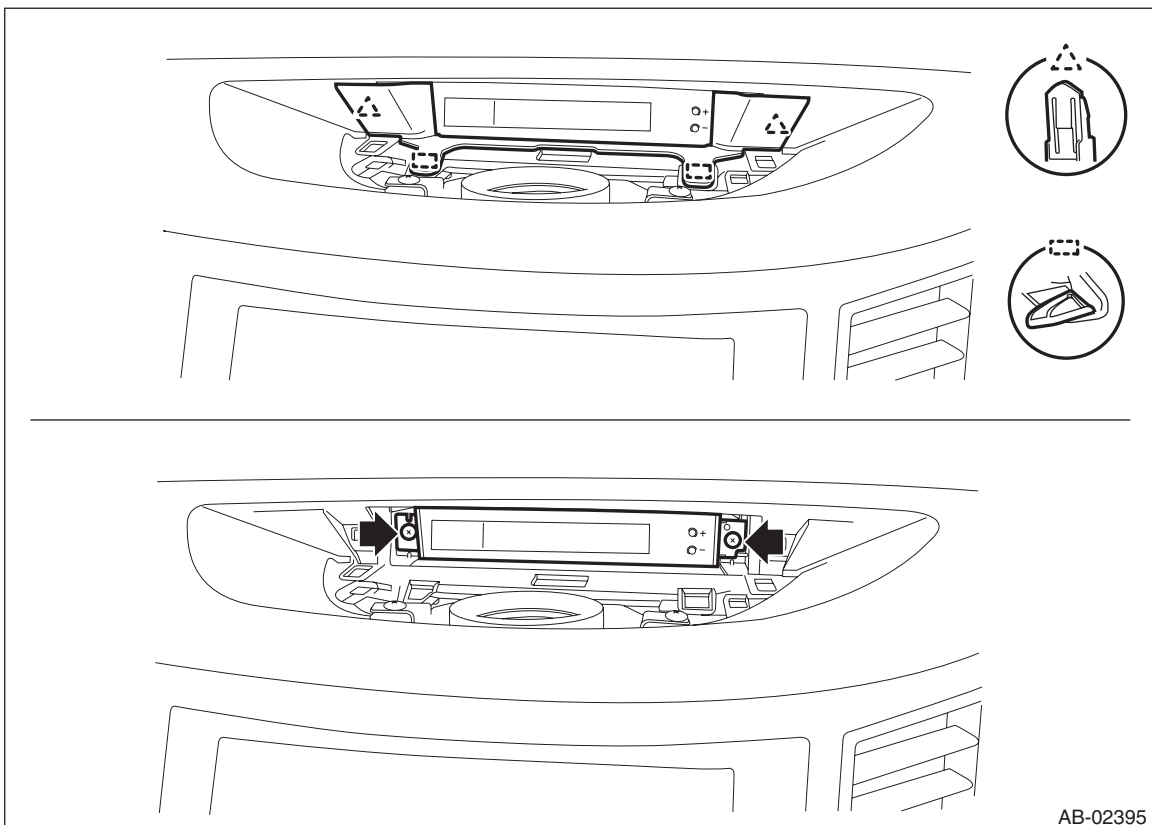


NOTE:

An easy way of removal is to first remove the audio assembly or navigation assembly and push up the cover from the backside.

(2) Release the clips and claws, detach the multi display panel LWR.

(3) Remove the screws and pull out the multi display toward you to disconnect the connectors.



- 13) Remove the left and right front side speaker assembly. (Models with front side speaker)
(1) Release the clips and claws, then detach the side speaker cover.

CAUTION:

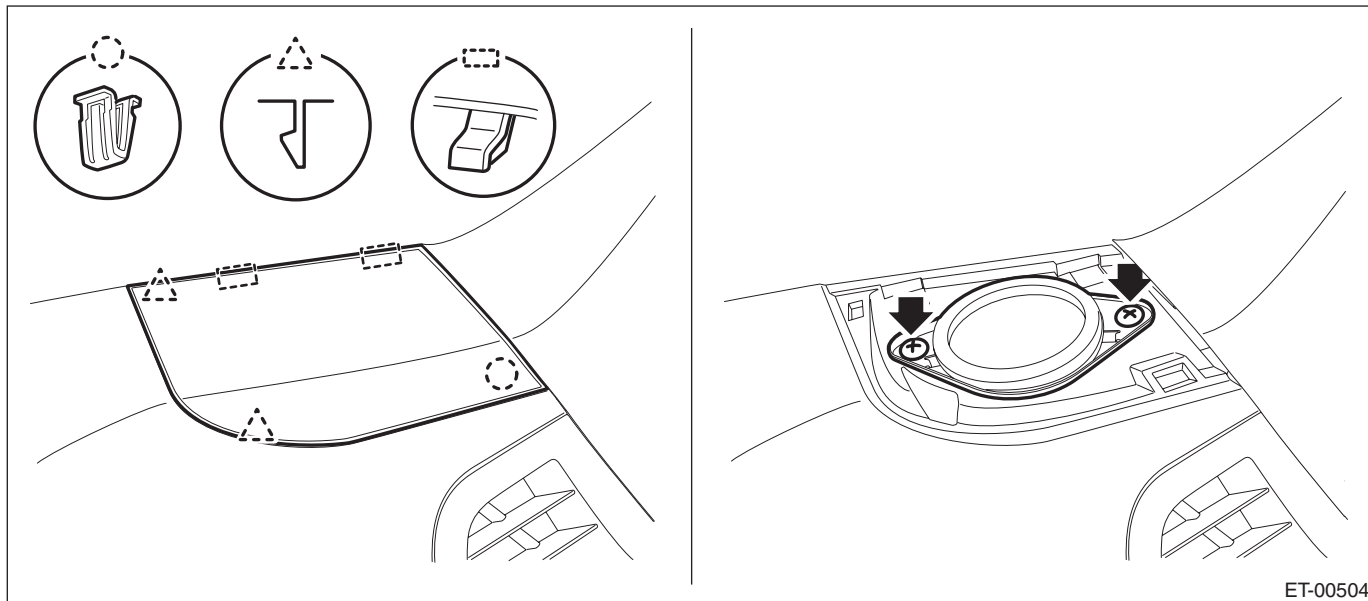
To remove the cover, use a plastic clip remover or equivalent tool.

- (2) Remove the screws.

Preparation tool:

Stubby screwdriver

- (3) Disconnect the connector and remove the front side speaker assembly.



NOTE:

On the passenger's side, also disconnect the sunload sensor connector.

- 14) Remove the left and right front pillar trims.

(1) Pull the upper part of the front pillar trim towards the center of the vehicle.

(2) Insert long-nose pliers into the top part of the trim, grip the tether clip with the pliers, and twist it 90° in that position.

CAUTION:

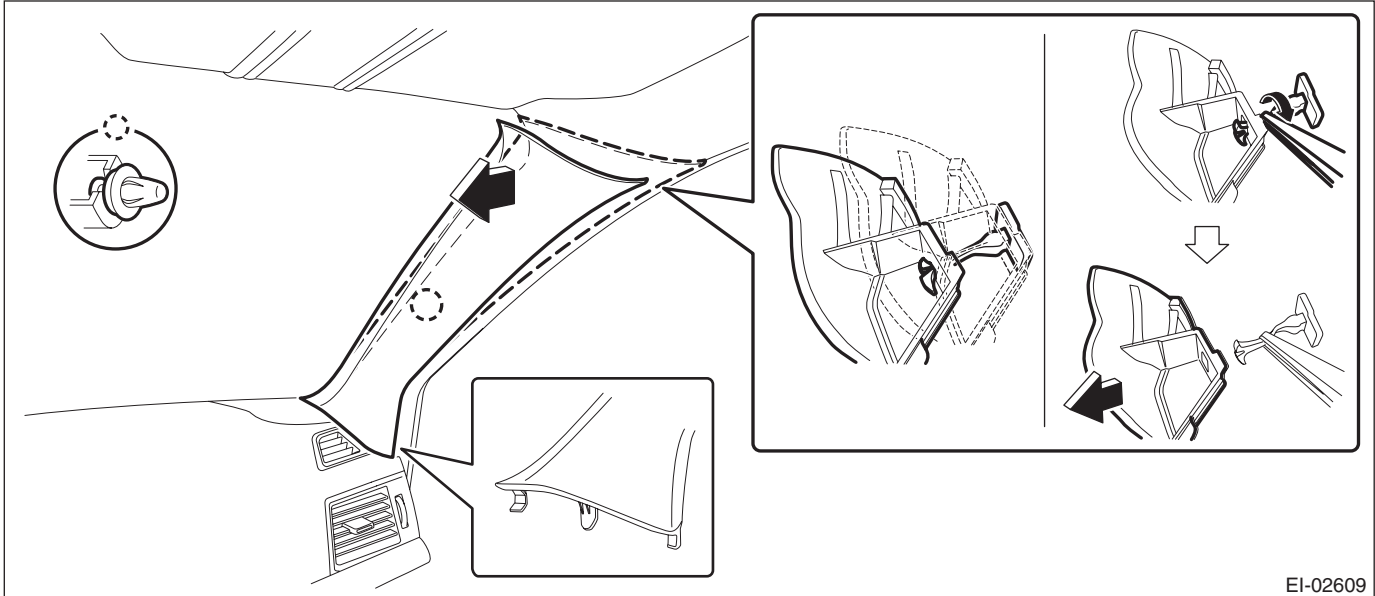
Be careful not to damage the pillar trim surface and curtain airbag module when inserting the pliers.

(3) While holding the tether clip twisted as in the previous step, remove the front pillar trim from the tether clip.

Passenger's Airbag Module

AIRBAG SYSTEM

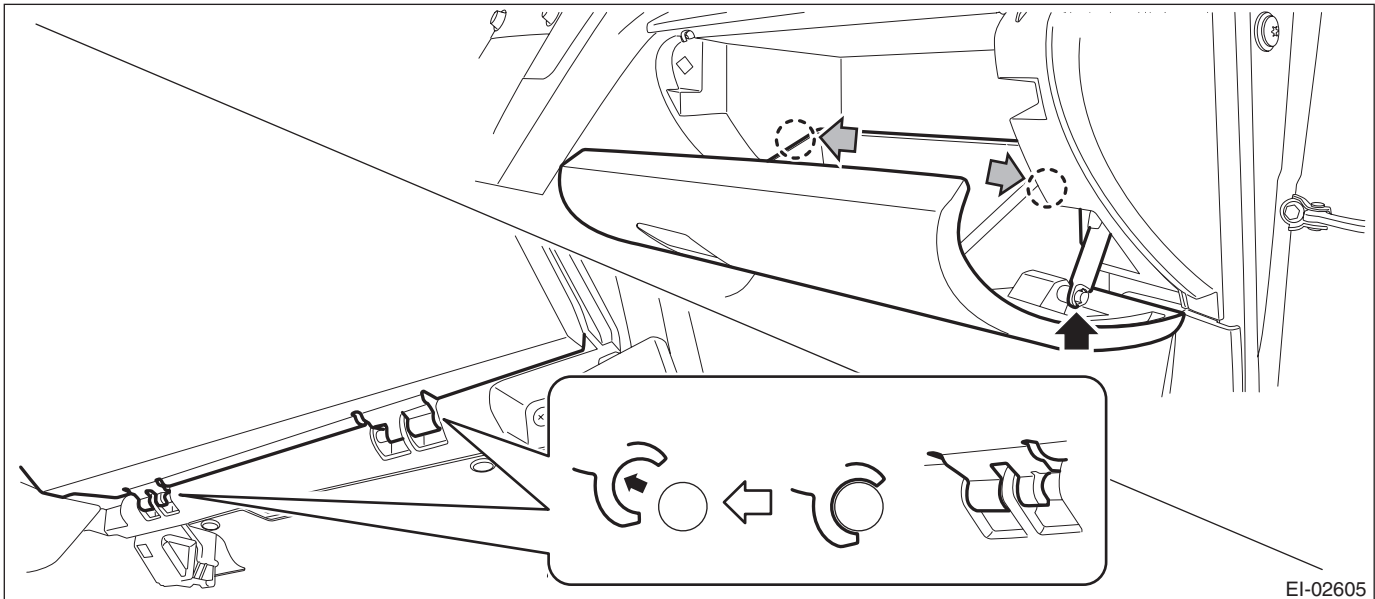
(4) Remove the clip and the front pillar trim.



15) Remove the glove box lid assembly.

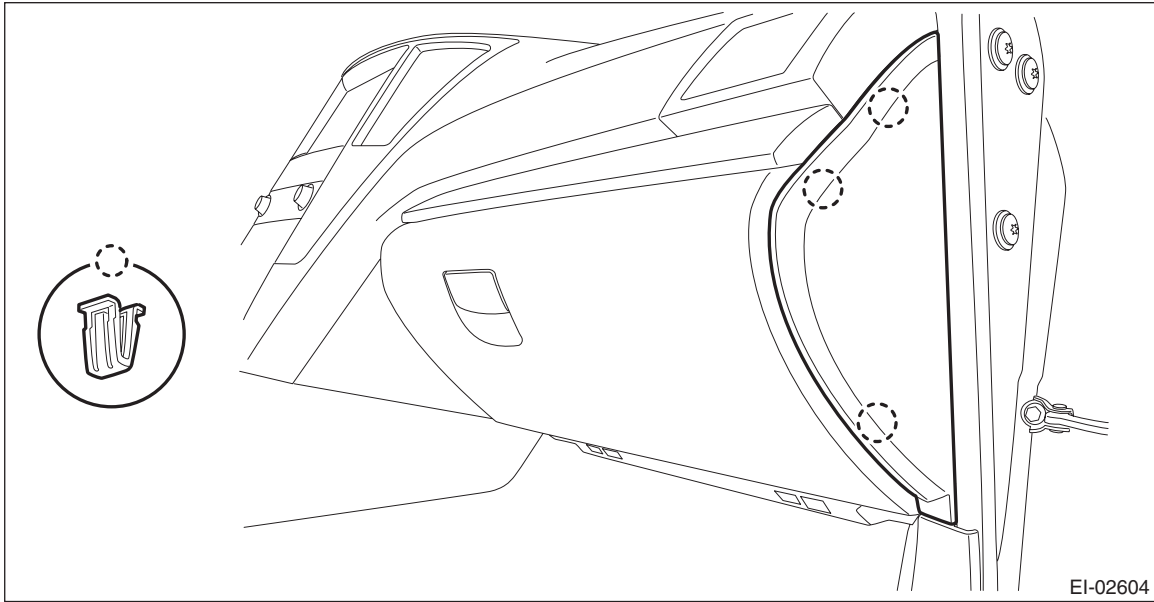
(1) Remove the glove box damper.

(2) Release the stoppers and remove the glove box lid assembly by pulling it toward you.

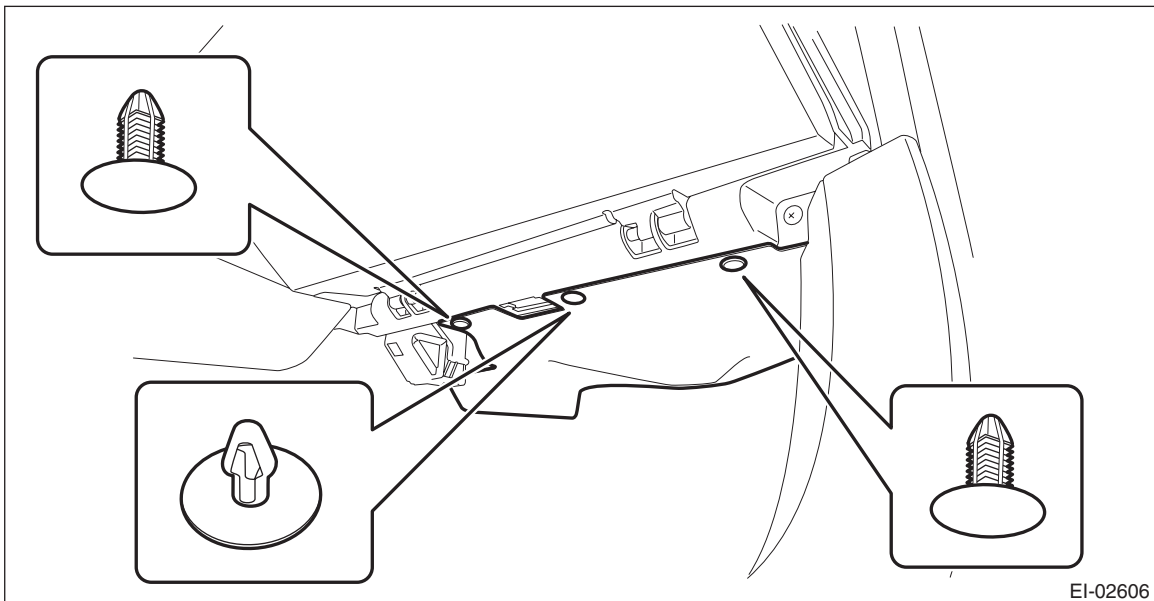


16) Remove the glove box back panel.

(1) Release the clips, and remove the instrument panel side cover RH.



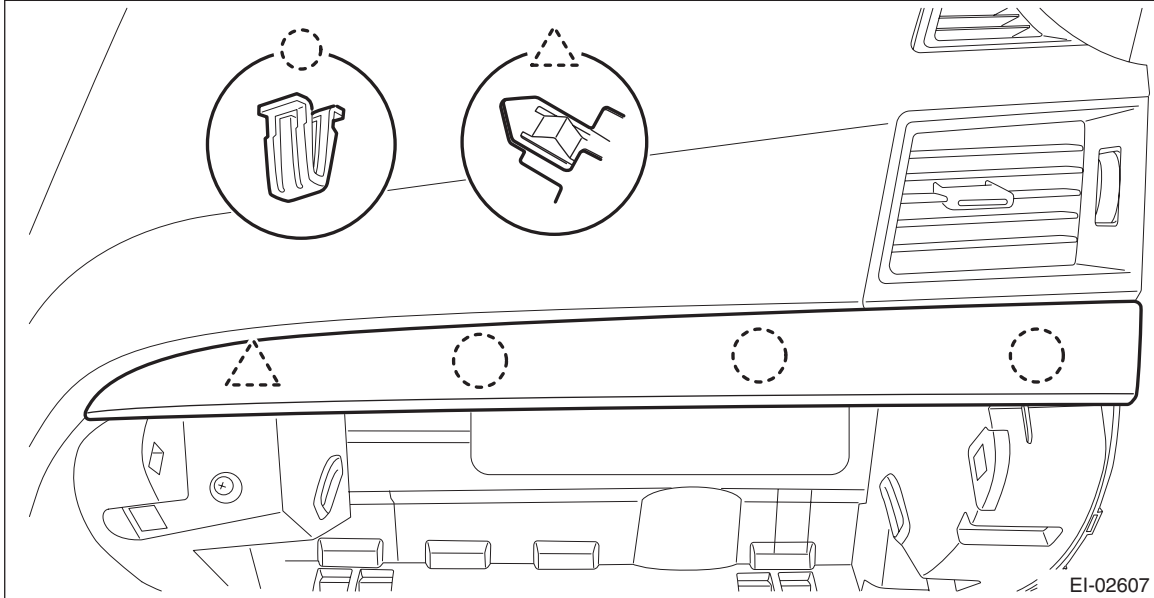
(2) Release the clips, and remove the glove box under cover.



Passenger's Airbag Module

AIRBAG SYSTEM

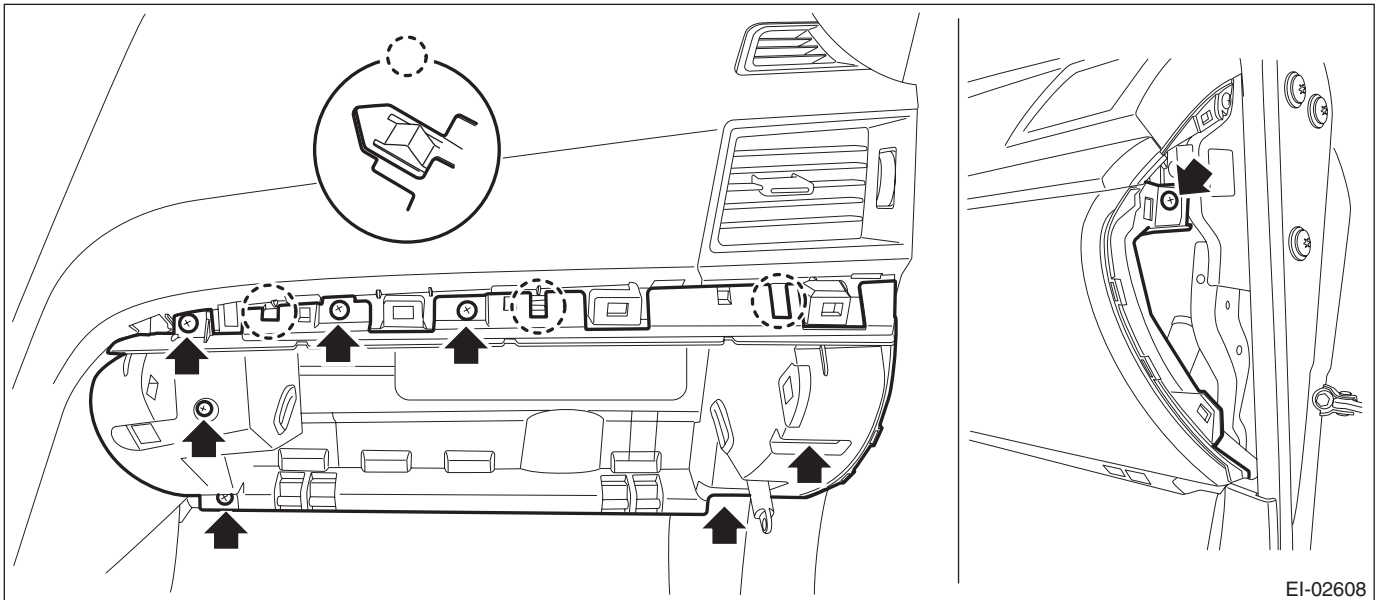
- (3) Release the clips and claws, and remove the ornament panel assembly P.



- (4) Remove the screws and release the claws, then detach the glove box back panel.

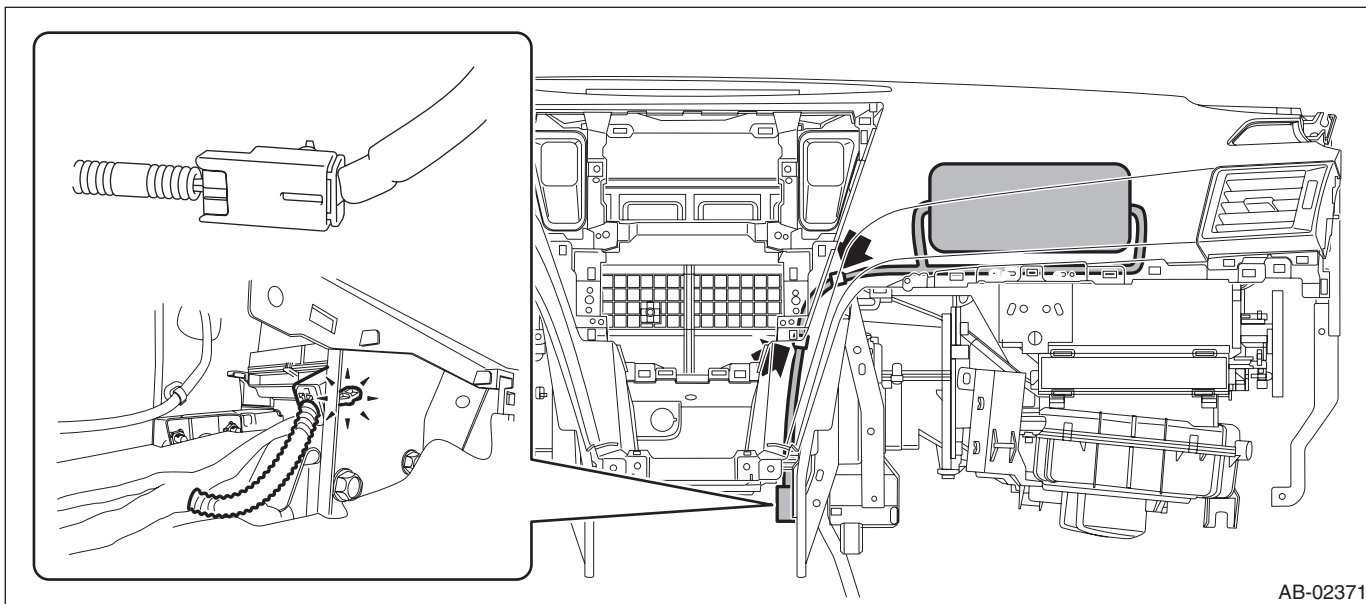
CAUTION:

Pay attention to the glove box light LED harness.

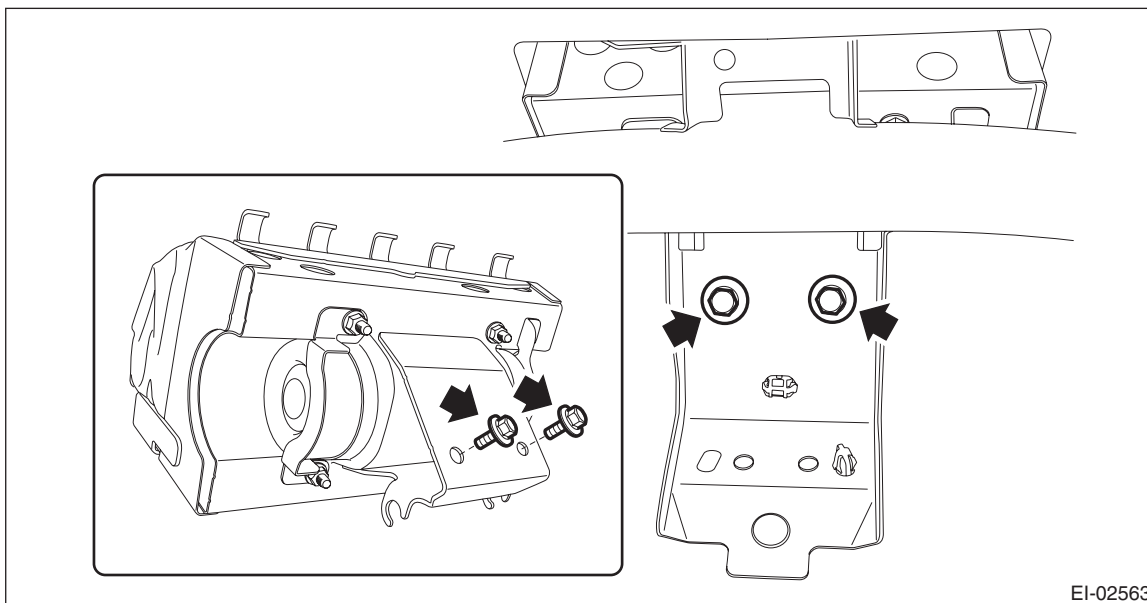


- (5) Disconnect the glove box light LED connector.

- 17) Disconnect the connector from the passenger's airbag module assembly and remove the bolt.
(1) Release the connector and harness clamps and disconnect the airbag connector.



- (2) Remove passenger's airbag module assembly bolts.



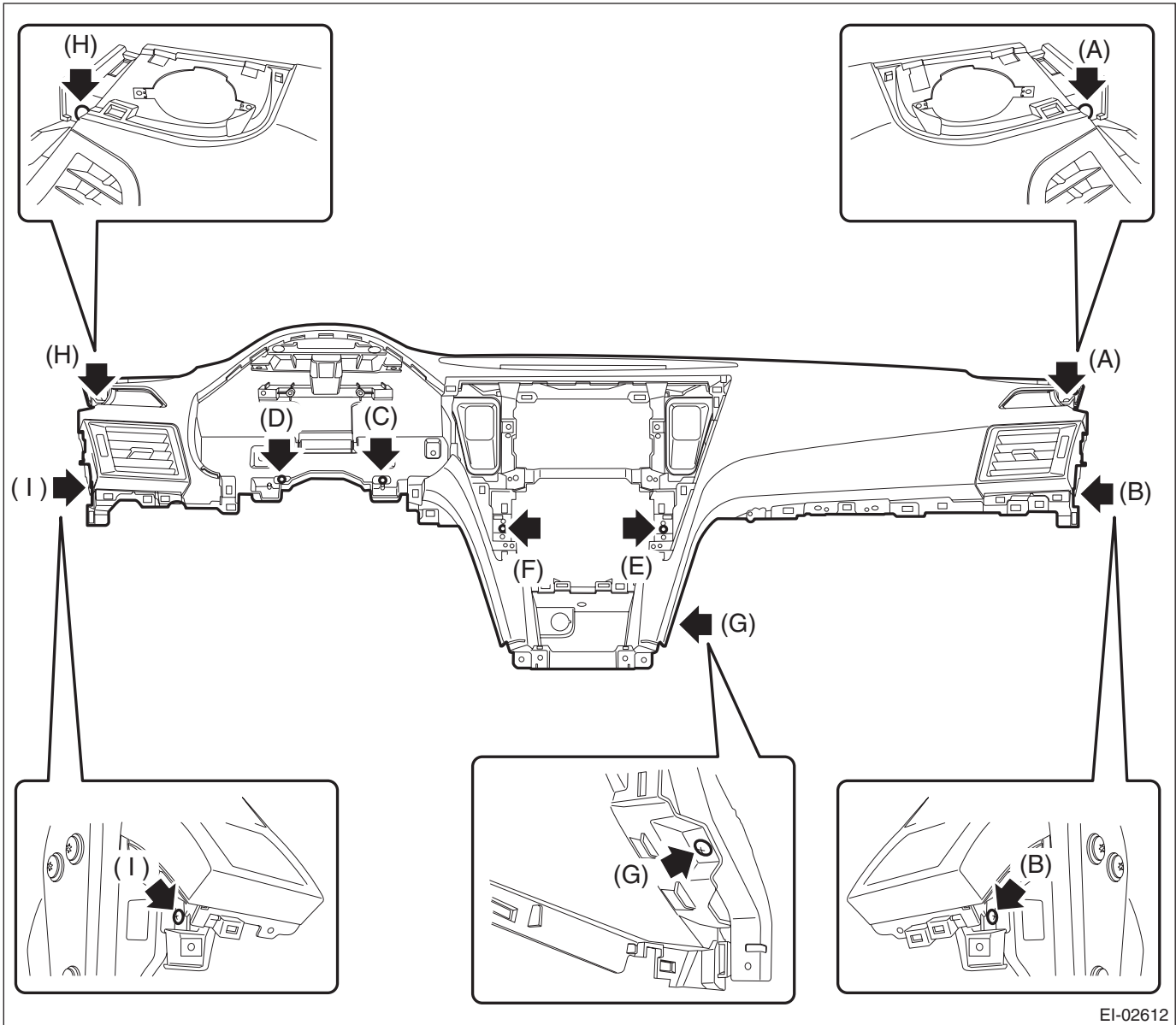
- 18) Remove the steering shaft assembly. <Ref. to PS-25, REMOVAL, Steering Column.>

Passenger's Airbag Module

AIRBAG SYSTEM

19) Remove the instrument panel assembly.

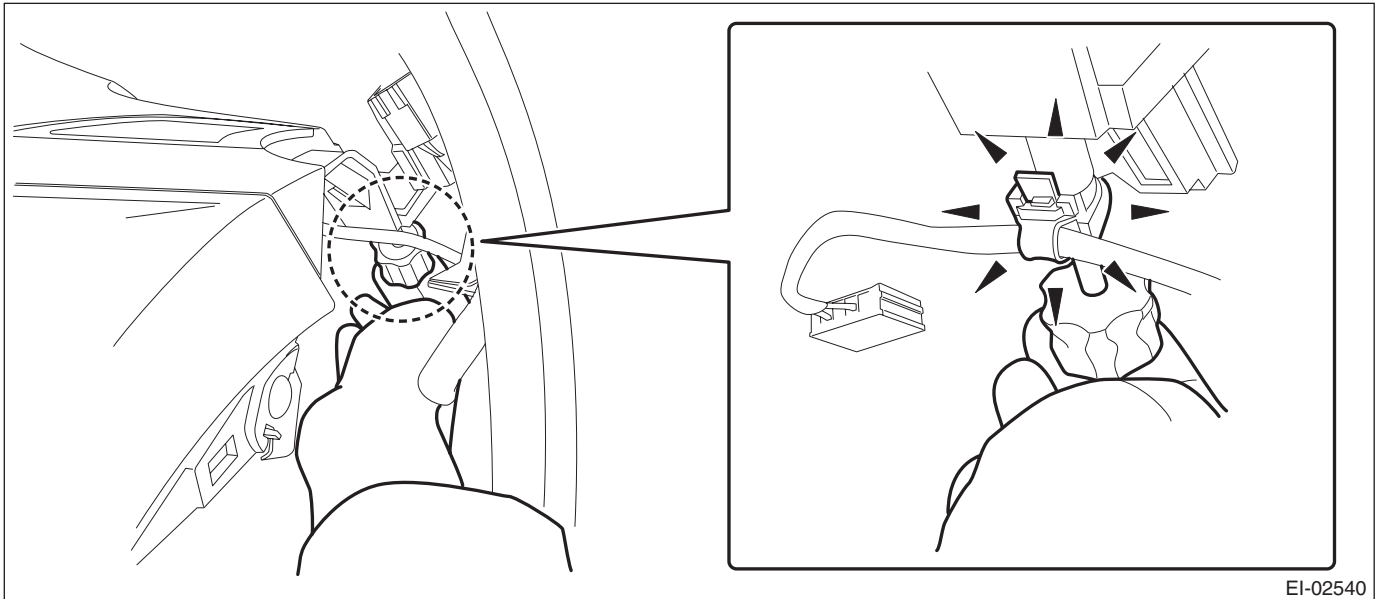
(1) Remove the screws. (A), (B), (C), (D), (E), (F), (G), (H), (I)



EI-02612

(2) Pull out the instrument panel assembly toward you and release the clamps of the left and right front side speakers.

Preparation tool:
Stubby screwdriver



(3) After checking that all harness clamps and connectors are released and disconnected, remove the instrument panel assembly.

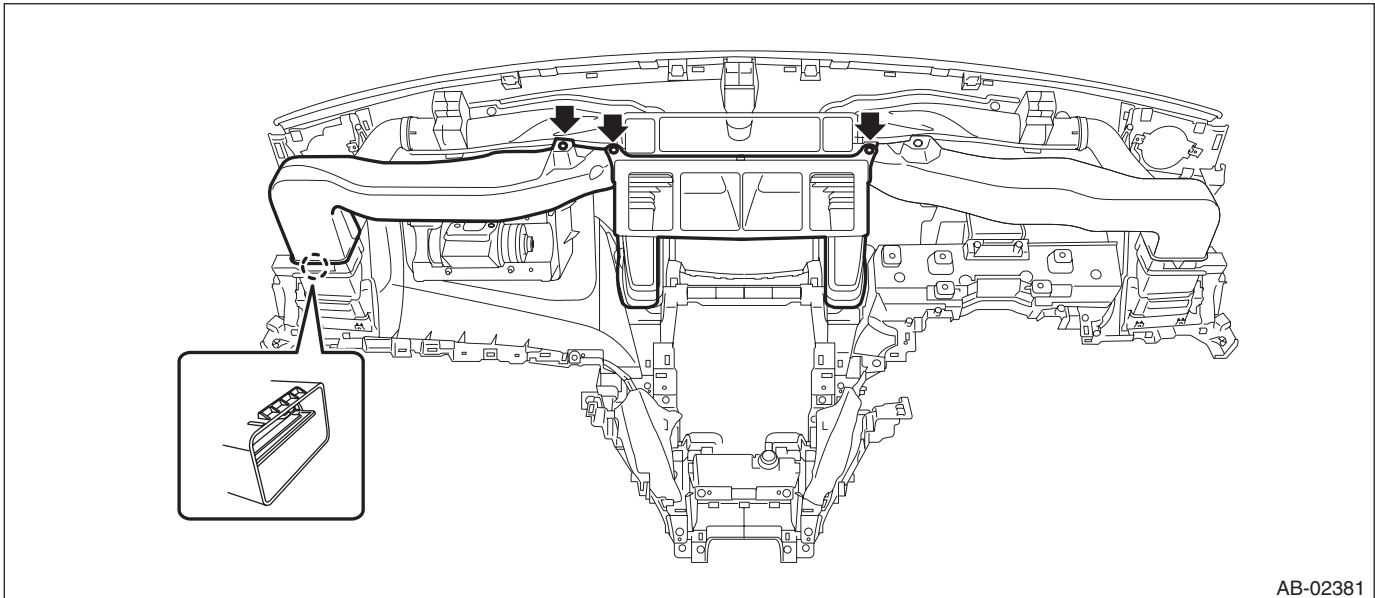
CAUTION:

Be careful not to damage the instrument panel surface and interior trims.

20) Remove the heater vent duct.

(1) Remove the screws, and remove the center vent duct.

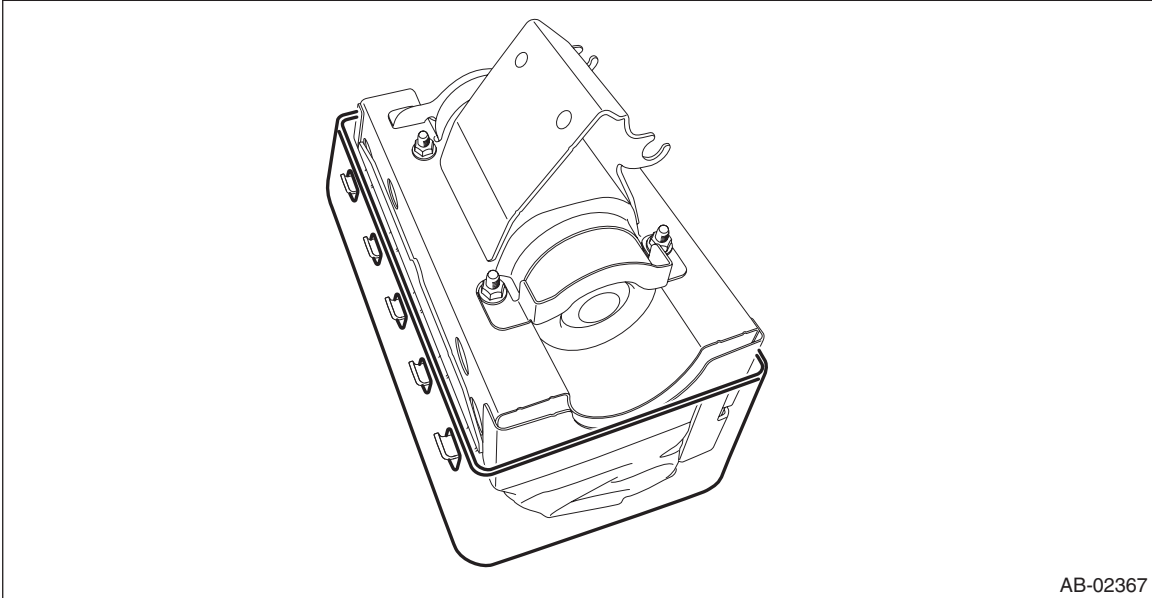
(2) Release the claws and remove the screws, then detach the side vent duct RH.



Passenger's Airbag Module

AIRBAG SYSTEM

21) Remove the claws, and remove the passenger's airbag module.



AB-02367

22) For handling of the removed airbag module, refer to "CAUTION". <Ref. to AB-10, CAUTION, General Description.>

B: INSTALLATION

CAUTION:

- Refer to "CAUTION" of "General Description" before handling the airbag module. <Ref. to AB-10, CAUTION, General Description.>
- Do not allow harness and connectors to interfere or get tangled up with other parts.
- Do not reuse the clips in the upper section of the front pillar trim. Always replace them with new ones.

Once removed from the pillar trim, the clip retention power deteriorates and the front pillar trim may come off.

1) Before installation, inspect the following items and replace any faulty part with a new one.

- Passenger's airbag lid (instrument panel surface) is cracked or deformed.
- Airbag module is cracked or deformed.
- Harness and/or connector is cracked, deformed or open.
- Harness wire is exposed.
- Mounting bracket is cracked or deformed.

2) Install each part in the reverse order of removal.

Tightening torque:

Passenger's airbag module: 7.5 N·m (0.76 kgf-m, 5.5 ft-lb)

Console box: 6.5 N·m (0.66 kgf-m, 4.8 ft-lb)