

Airbag Control Module

AIRBAG SYSTEM

8. Airbag Control Module

A: REMOVAL

CAUTION:

- Do not disassemble the airbag control module.
- If the airbag control module is deformed or if the damage from water is suspected, replace the airbag control module with a new part.
- Do not drop the airbag control module.
- After removal, keep the airbag control module on a dry, clean surface away from moisture, heat and dust.

1) Turn the ignition switch to OFF.

CAUTION:

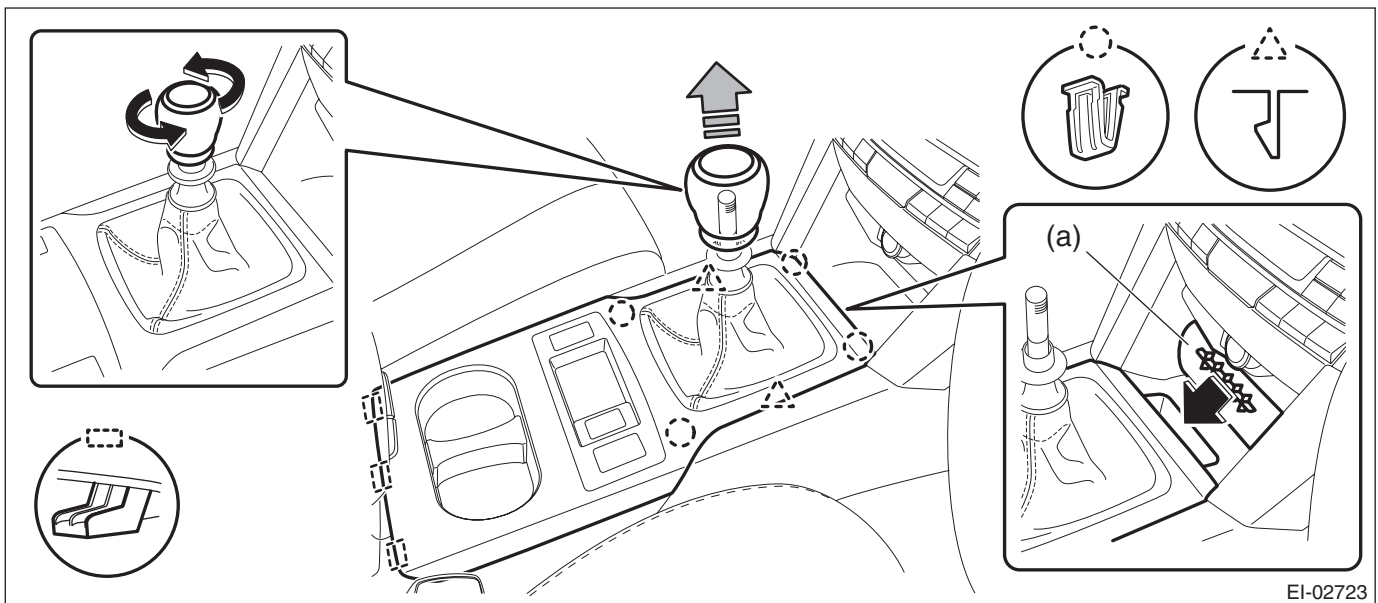
Disconnect the ground cable from battery and wait for at least 60 seconds before starting work.

NOTE:

For a model with power seat, remove the console box assembly before disconnecting the battery ground cable.

2) Remove the console front cover assembly.

- MT model
 1. Remove the shift knob.
 2. Release the clips and claws, then pull up the console front cover assembly.

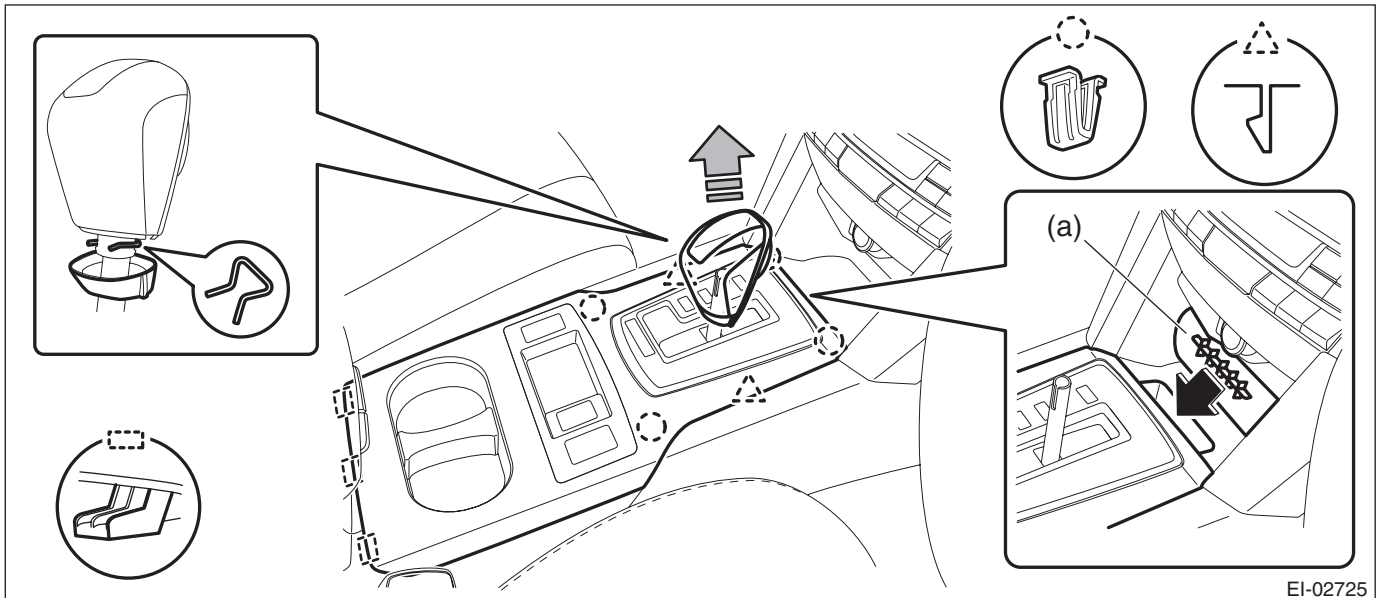


NOTE:

Turn over the front center pocket mat (a) and pull up the console front cover from the slit.

3. Disconnect the harness connector and remove the console front cover assembly.

- AT model / CVT model
 1. Remove the select lever knob.
 - a. Lower the cover grip AT.
 - b. Remove the clamp grip pin, then remove the select lever knob.
 2. Release the clips and claws, then pull up the console front cover assembly.

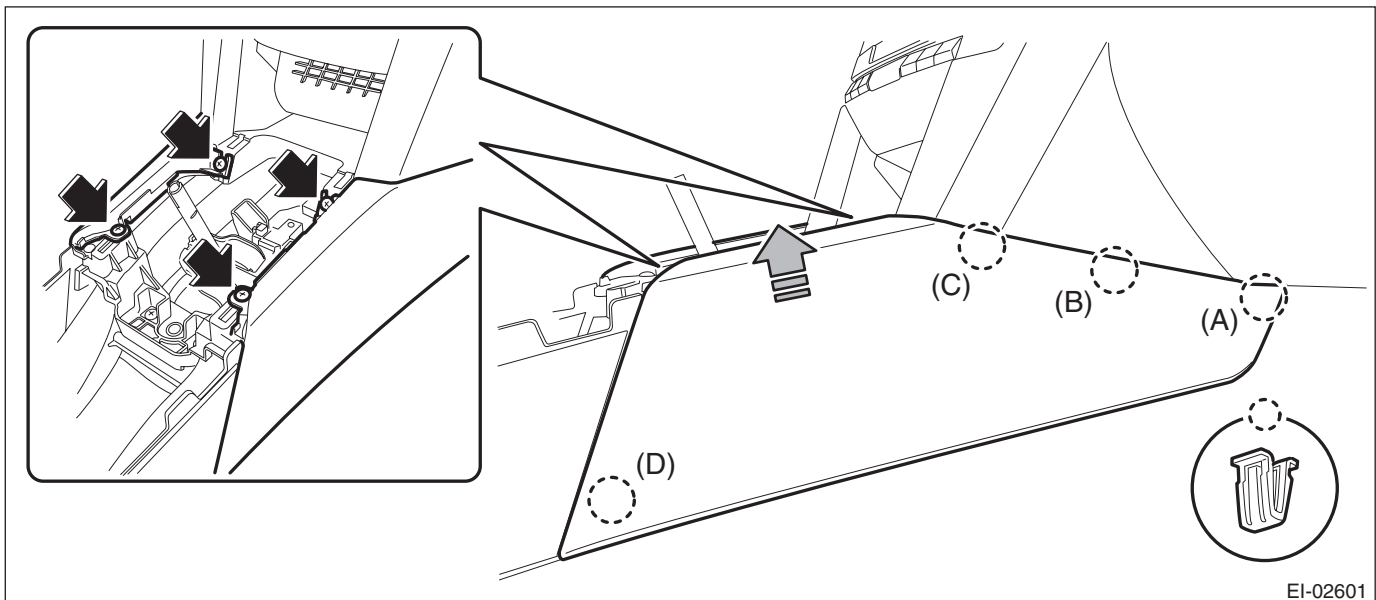


EI-02725

NOTE:

Turn over the front center pocket mat (a) and pull up the console front cover from the slit.

3. Disconnect the harness connector and remove the console front cover assembly.
- 3) Remove the left and right console front side cover assembly.
 - (1) Remove the screws and release the clips (A) to (D) in order.
 - (2) Remove the console front side cover assembly by pulling it up.



EI-02601

- 4) Remove the console box assembly.
 - (1) Move the seat forward, and remove the bolts after detaching the left and right caps.

NOTE:

For a model with power seat, connect the battery ground cable and move the seat. Then, disconnect the battery ground cable again and wait for 60 seconds at least before restarting the work.

Airbag Control Module

AIRBAG SYSTEM

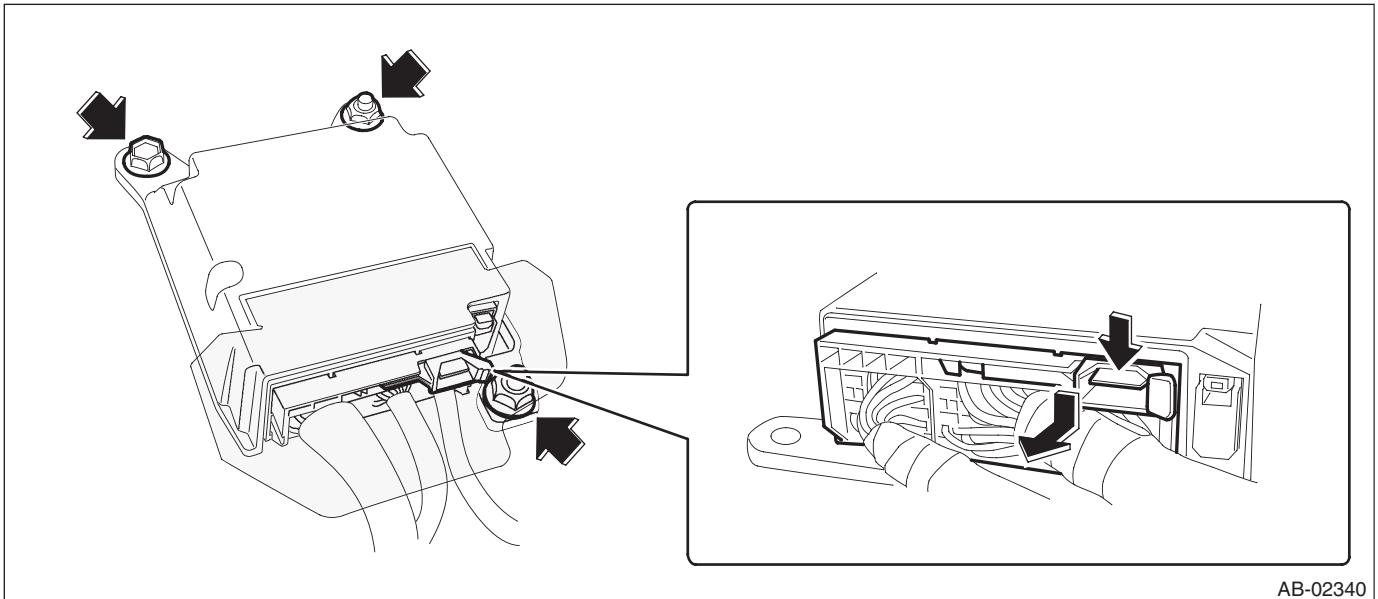
(2) Remove the screws, disconnect the harness connector and remove the console box assembly.



EI-03204

5) Remove the airbag control module.

- (1) Disconnect the connector from airbag control module.
- (2) Remove the bolt and nuts and remove the airbag control module.



AB-02340

B: INSTALLATION

CAUTION:

Do not reuse the bolt and nut.

Always use new bolts and nuts for them.

- 1) Before installation, inspect the following items and replace any faulty part with a new one.
 - Control module is deformed.
 - Control module connector is damaged.
 - Control module mounting bracket is damaged.
- 2) Install each part in the reverse order of removal.

Tightening torque:

Airbag control module: 25 N·m (2.55 kgf-m, 18.4 ft-lb)

Console box assembly: 6.5 N·m (0.66 kgf-m, 4.8 ft-lb)