

12.Navigation Body

A: REMOVAL

CAUTION:

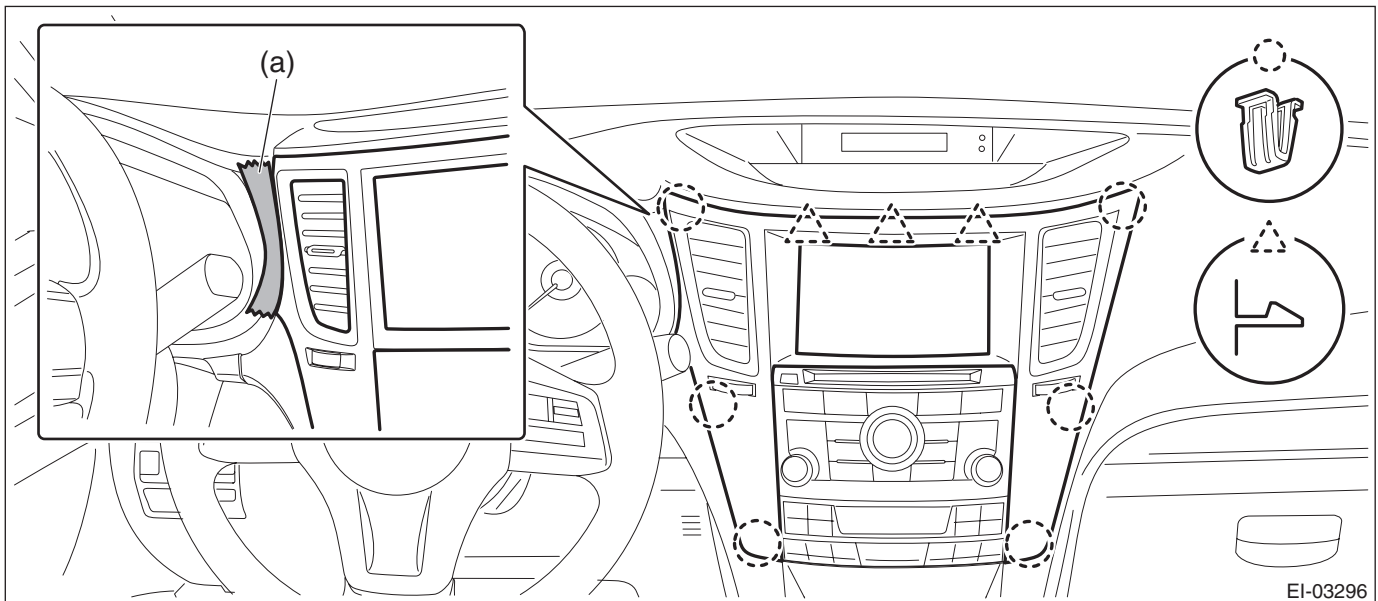
- When replacing the navigation unit, be sure to replace with specified navigation unit. The marker adjustment can not be performed correctly if replacing with unspecified navigation unit.
- After replacing the navigation unit, be sure to check that the rearview camera images and the marker line are displayed.

- 1) Disconnect the ground cable from battery.
- 2) Remove the center panel assembly.

CAUTION:

Do not put your finger on the fin of the air vent grille. Doing so may damage the fin.

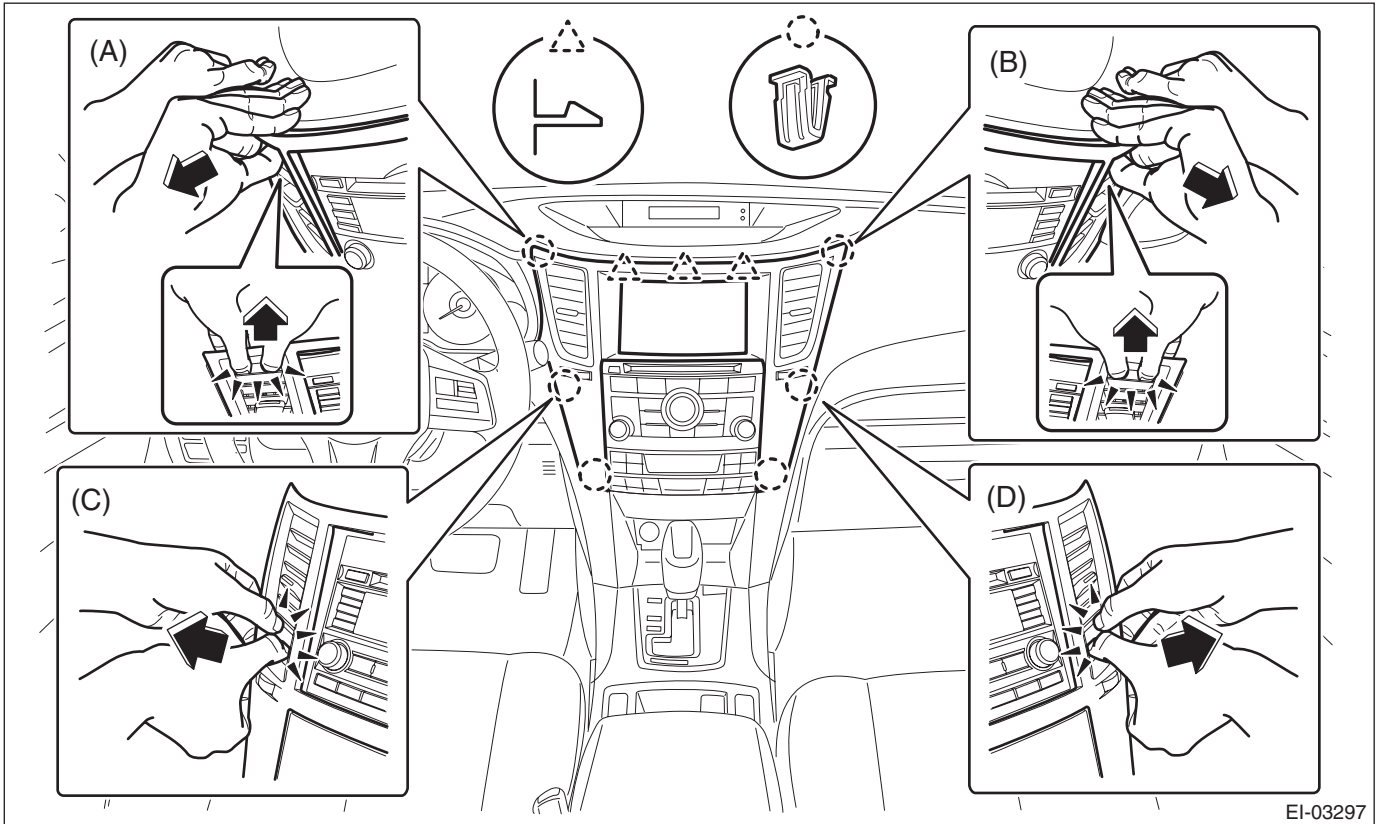
- (1) Attach the protective tape (a) to the meter visor.



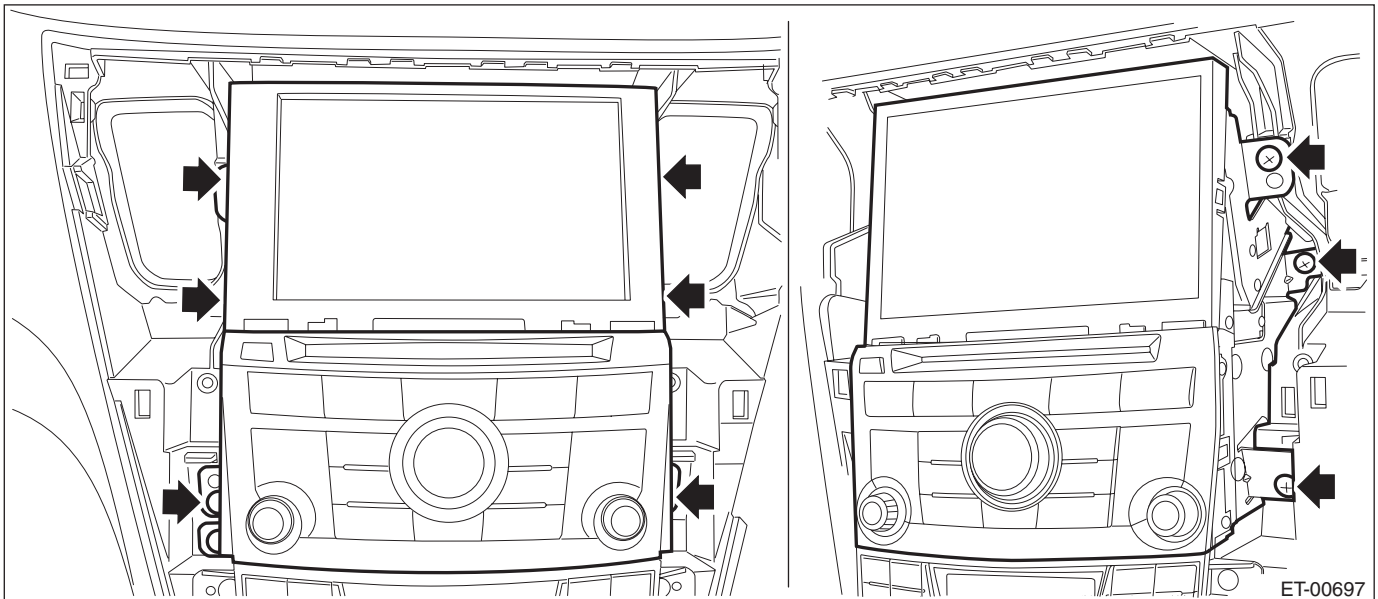
Navigation Body

ENTERTAINMENT

- (2) Insert a finger into the air vent grille and release the left and right clips at the top of the center panel.
(A), (B)
- (3) Insert a finger into the air vent grille and release the left and right clips at the center of the center panel.
(C), (D)
- (4) Release the clips at the bottom of the center panel and remove the center panel assembly.



- 3) Remove the navigation assembly.
 - (1) Remove the left and right screws.
 - (2) Disconnect the connector and remove the navigation assembly.



B: INSTALLATION

Install each part in the reverse order of removal.