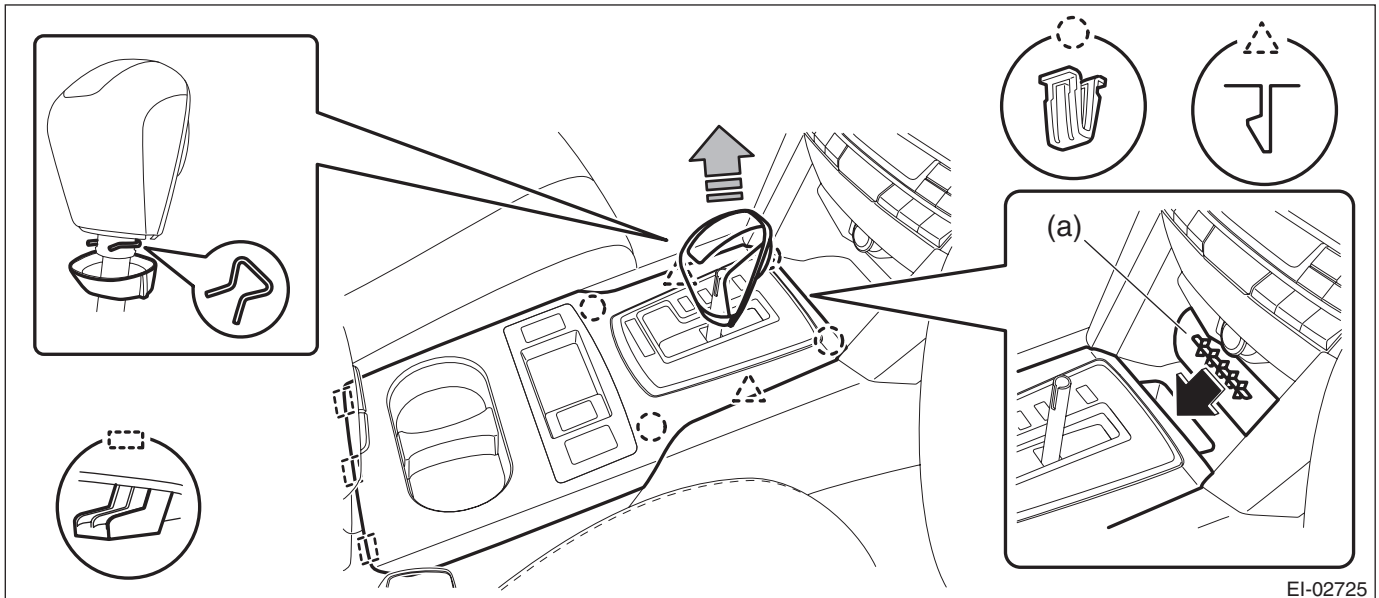


Rear Accessory Power Supply Socket

ENTERTAINMENT

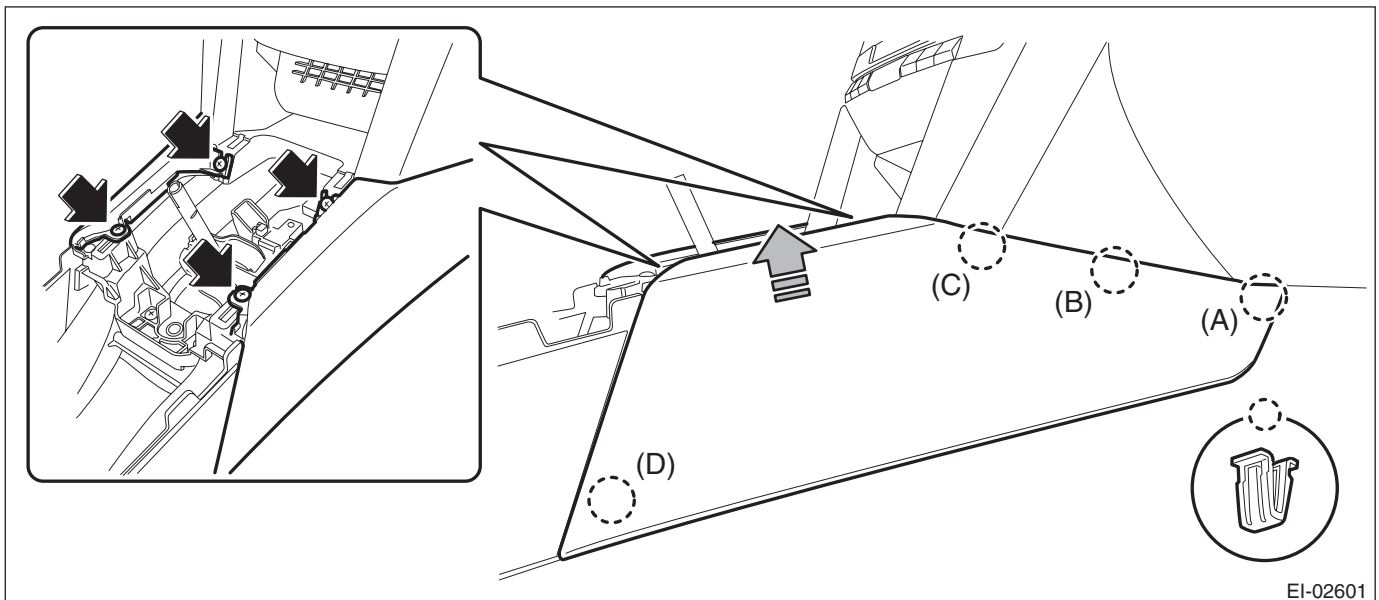
- AT/CVT model
 1. Remove the select lever knob.
 - a. Lower the cover grip AT.
 - b. Remove the clamp grip pin, then remove the select lever knob.
 2. Release the clips and claws, then pull up the console front cover assembly.



NOTE:

Turn over the front center pocket mat (a) and pull up the console front cover from the slit.

3. Disconnect the harness connector and remove the console front cover assembly.
- 2) Remove the console front side cover assembly.
 - (1) Remove the screws and release the clips (A) to (D) in order.
 - (2) Remove the console front side cover assembly by pulling it up.



3) Remove the console box assembly.

(1) Move the seat forward, and remove the bolts after detaching the left and right caps.

NOTE:

For a model with power seat, connect the battery ground cable and move the seat. Then, disconnect the battery ground cable again and wait for 60 seconds at least before restarting the work.

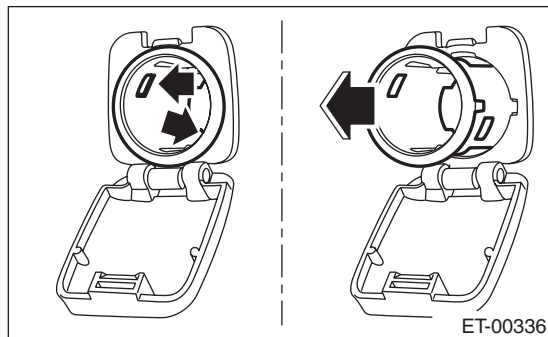
(2) Remove the screws, disconnect the harness connector and remove the console box assembly.



4) Remove the front accessory power supply socket.

(1) Remove the claws (two) in accessory power supply socket.

(2) Pull the accessory power supply socket out to remove.



C: INSTALLATION

Install each part in the reverse order of removal.

Tightening torque:

Center console: 6.5 N·m (0.66 kgf-m, 4.8 ft-lb)