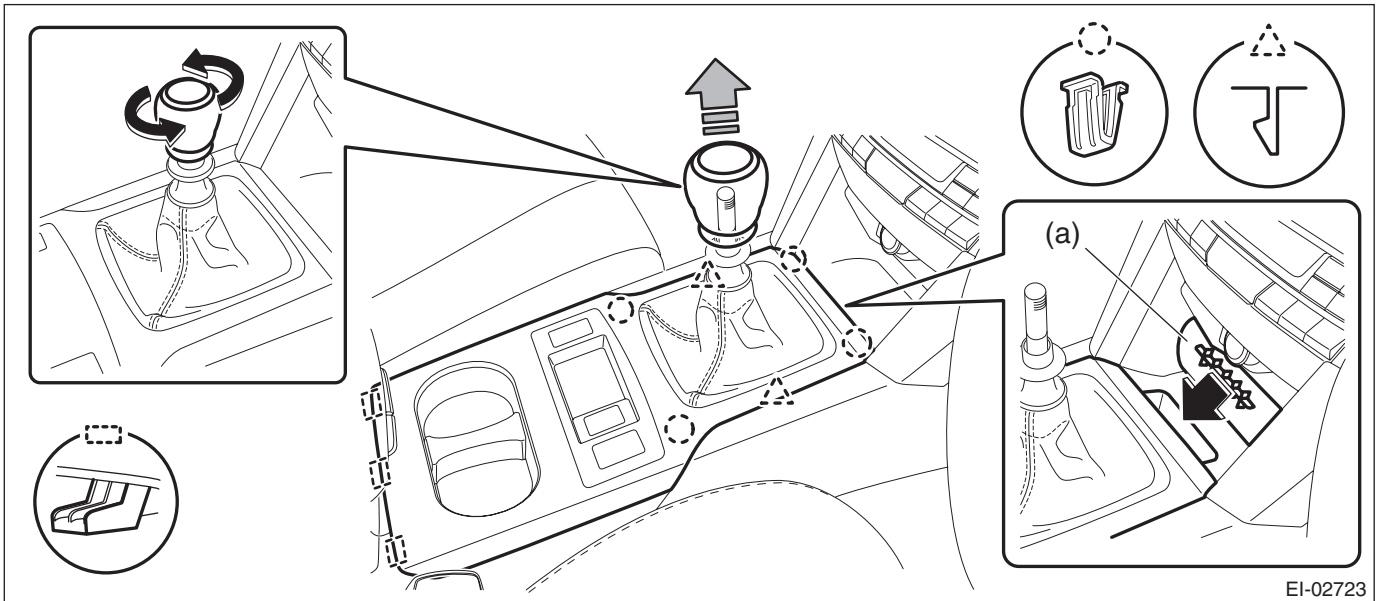


17.AUX Input Terminal

A: REMOVAL

1. AUX INPUT TERMINAL

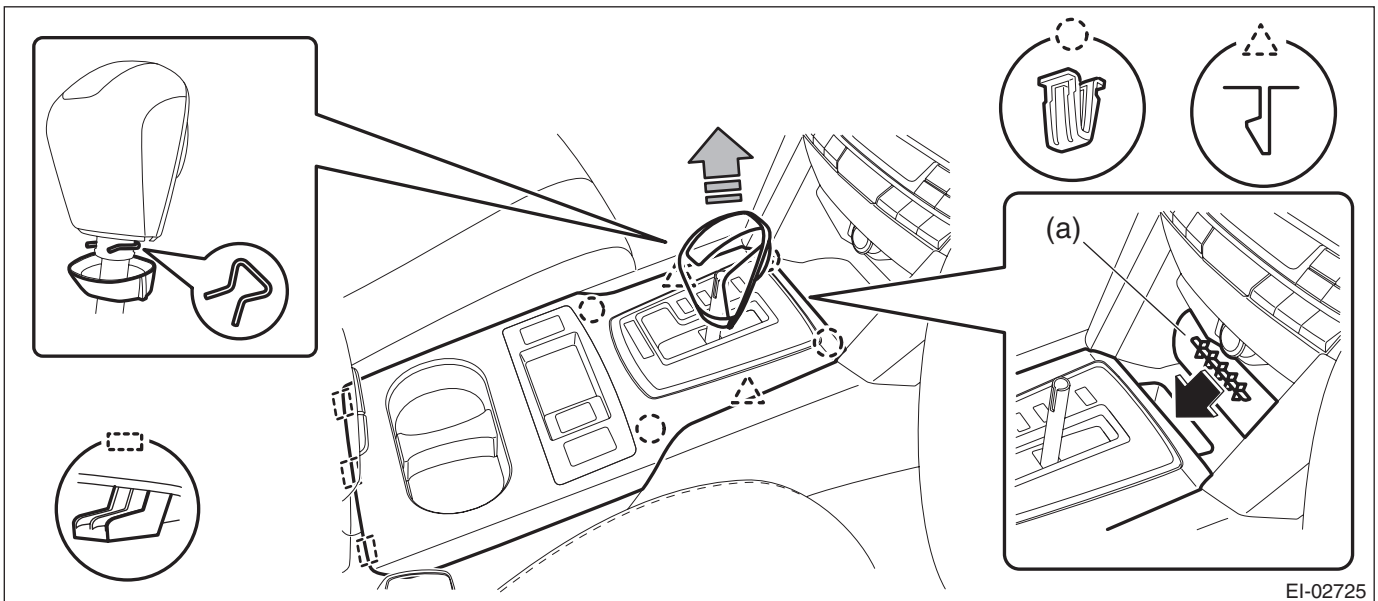
- 1) Disconnect the ground cable from battery.
- 2) Remove the console front cover assembly.
 - MT model
 1. Remove the shift knob.
 2. Release the clips and claws, then pull up the console front cover assembly.



NOTE:

Turn over the front center pocket mat (a) and pull up the console front cover from the slit.

3. Disconnect the harness connector and remove the console front cover assembly.
 - AT/CVT model
 1. Remove the select lever knob.
 - a. Lower the cover grip AT.
 - b. Remove the clamp grip pin, then remove the select lever knob.
 2. Release the clips and claws, then pull up the console front cover assembly.



NOTE:

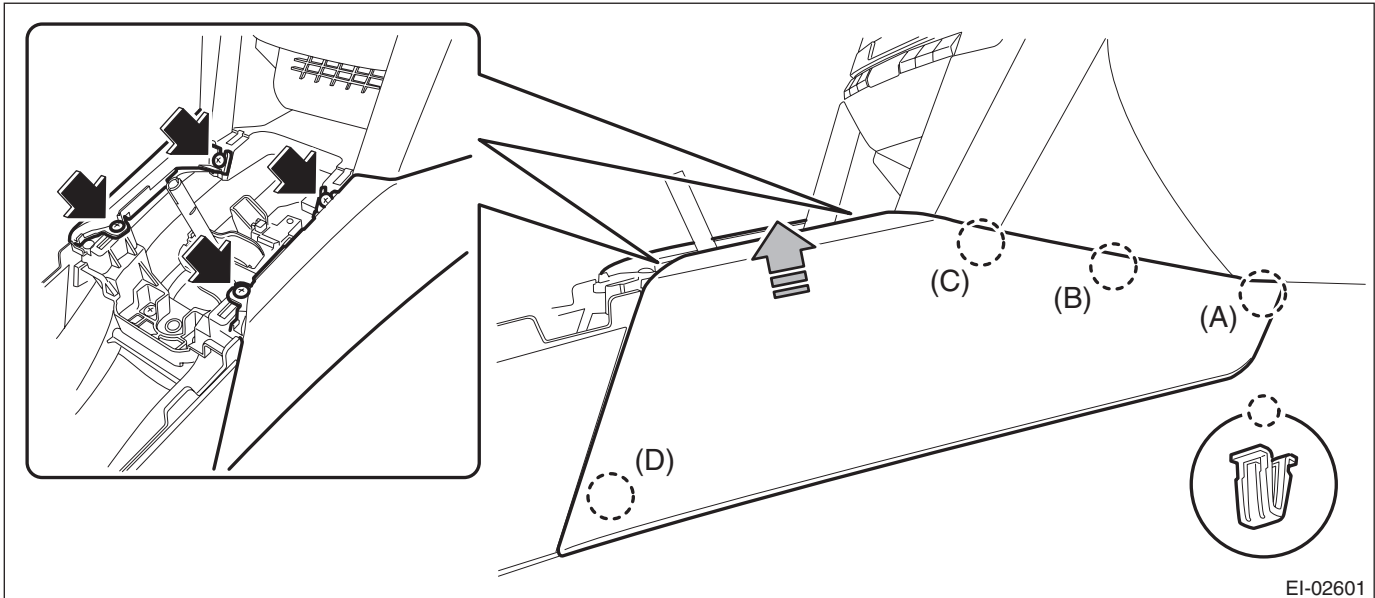
Turn over the front center pocket mat (a) and pull up the console front cover from the slit.

3. Disconnect the harness connector and remove the console front cover assembly.

3) Remove the console front side cover assembly.

(1) Remove the screws and release the clips (A) to (D) in order.

(2) Remove the console front side cover assembly by pulling it up.



EI-02601

4) Remove the console box assembly.

(1) Move the seat forward, and remove the bolts after detaching the left and right caps.

NOTE:

For a model with power seat, connect the battery ground cable and move the seat. Then, disconnect the battery ground cable again and wait for 60 seconds at least before restarting the work.

(2) Remove the screws, disconnect the harness connector and remove the console box assembly.



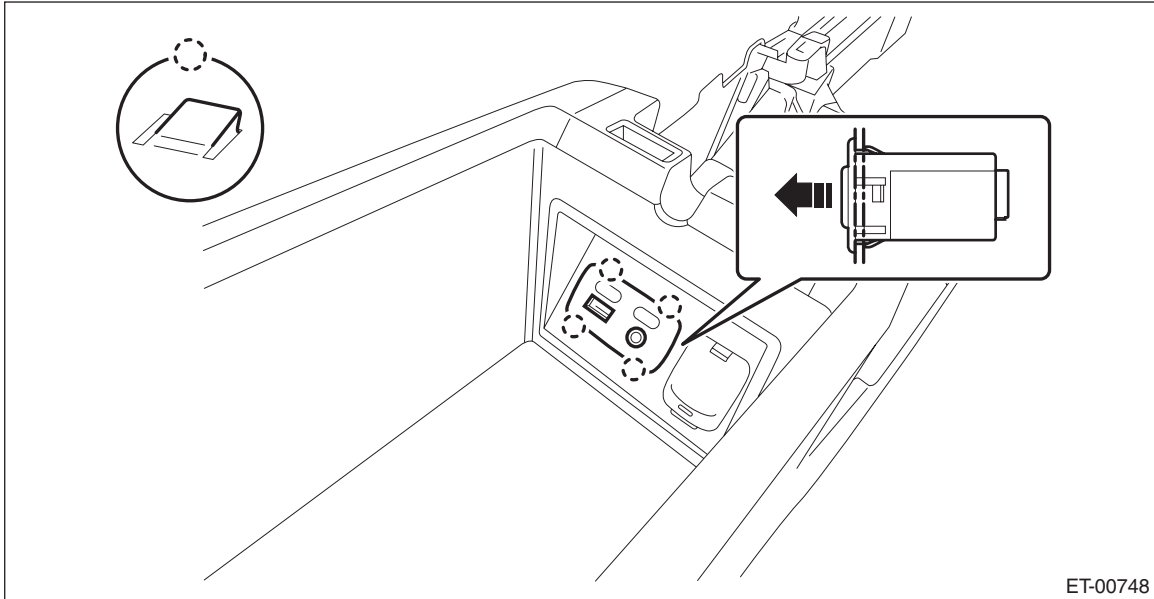
EI-03204

AUX Input Terminal

ENTERTAINMENT

5) Remove the AUX input terminal.

- (1) Remove the claws at four locations.
- (2) Remove the AUX input terminal assembly by pushing it into the console box.

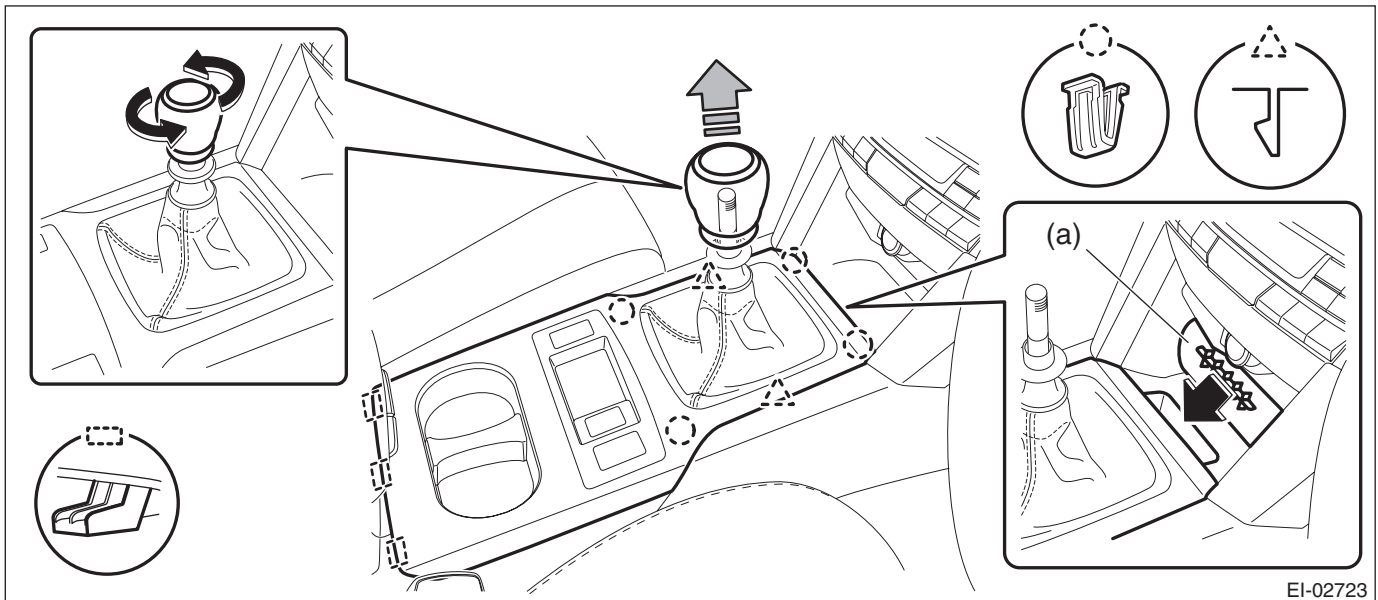


2. AUX TERMINAL HARNESS

- 1) Disconnect the ground cable from battery.
- 2) Remove the console front cover assembly.

- MT model

1. Remove the shift knob.
2. Release the clips and claws, then pull up the console front cover assembly.

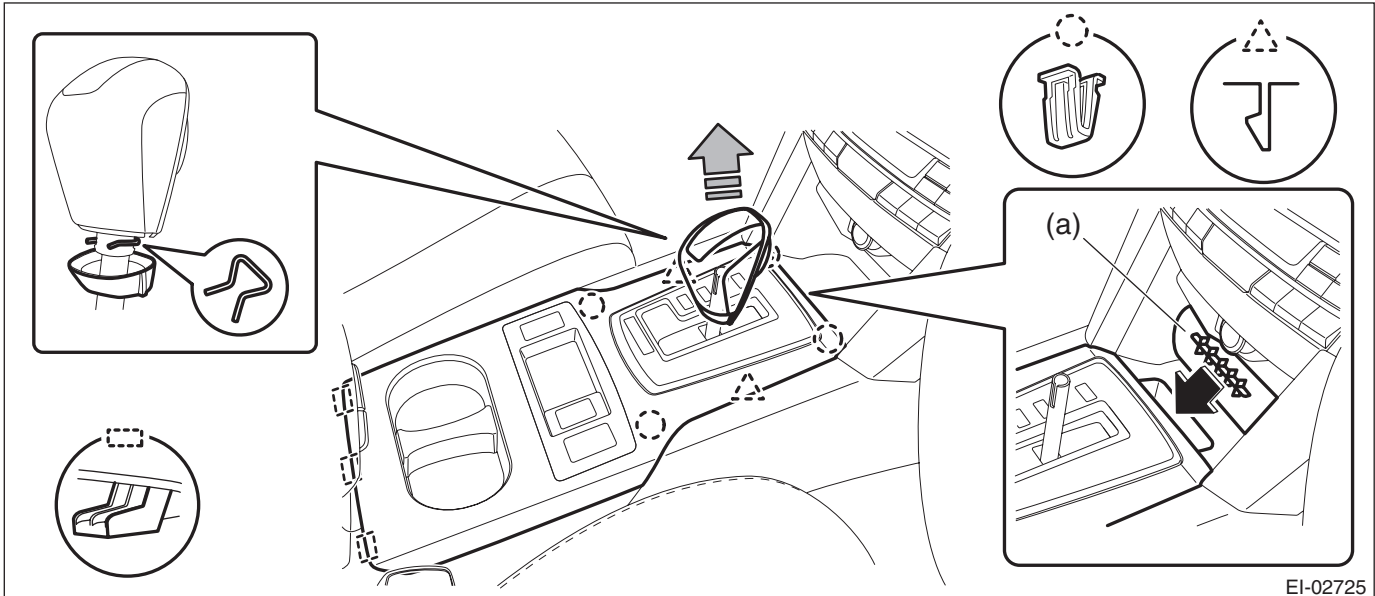


NOTE:

Turn over the front center pocket mat (a) and pull up the console front cover from the slit.

3. Disconnect the harness connector and remove the console front cover assembly.

- AT/CVT model
 1. Remove the select lever knob.
 - a. Lower the cover grip AT.
 - b. Remove the clamp grip pin, then remove the select lever knob.
 2. Release the clips and claws, then pull up the console front cover assembly.

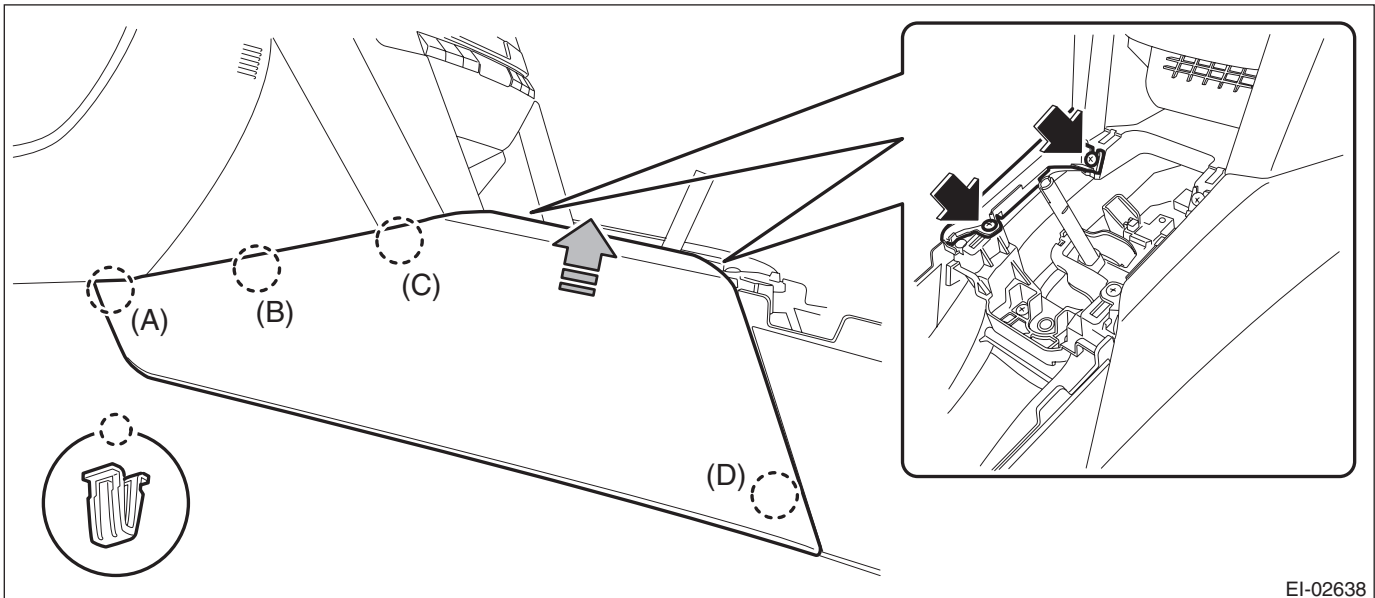


EI-02725

NOTE:

Turn over the front center pocket mat (a) and pull up the console front cover from the slit.

3. Disconnect the harness connector and remove the console front cover assembly.
- 3) Remove the console front side cover assembly LH.
 - (1) Remove the screws and release the clips (A) to (D) in order.
 - (2) Remove the console front side cover assembly by pulling it up.



EI-02638

AUX Input Terminal

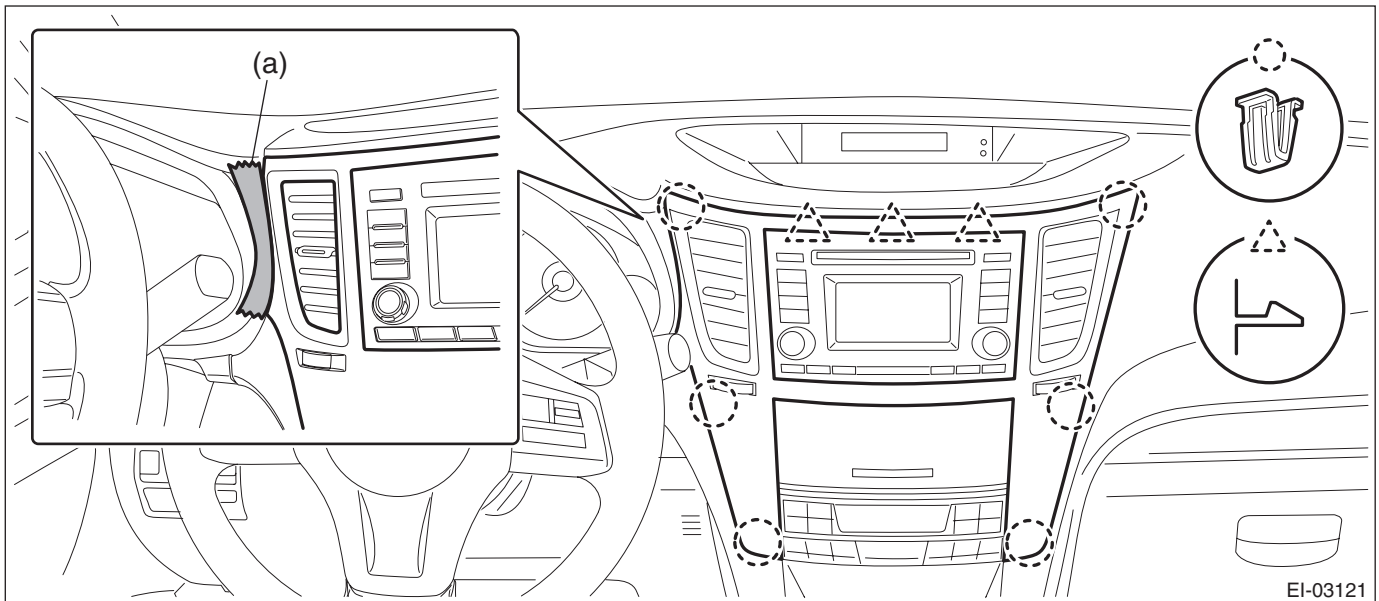
ENTERTAINMENT

4) Remove the center panel assembly.

CAUTION:

Do not put your finger on the fin of the air vent grille. Doing so may damage the fin.

(1) Attach the protective tape (a) to the meter visor.



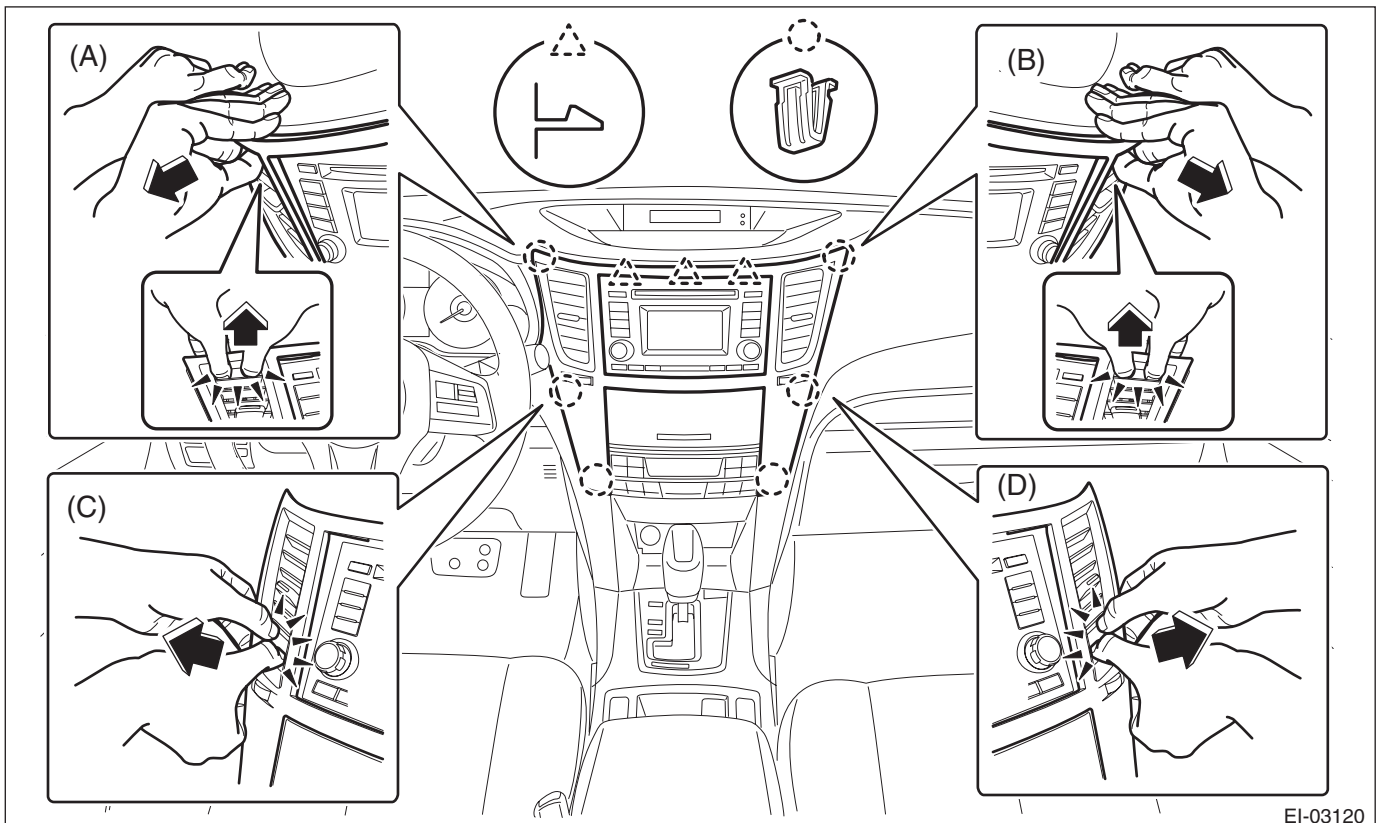
(2) Insert a finger into the air vent grille and release the left and right clips at the top of the center panel.

(A), (B)

(3) Insert a finger into the air vent grille and release the left and right clips at the center of the center panel.

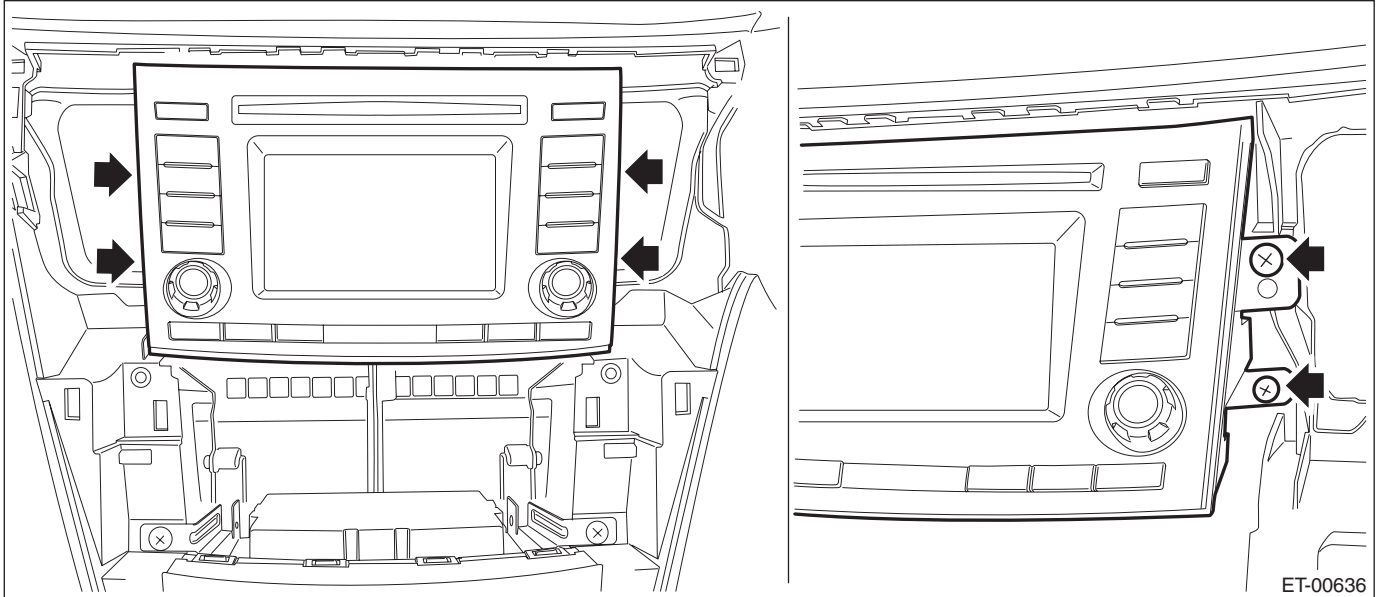
(C), (D)

(4) Release the clips at the bottom of the center panel and remove the center panel assembly.



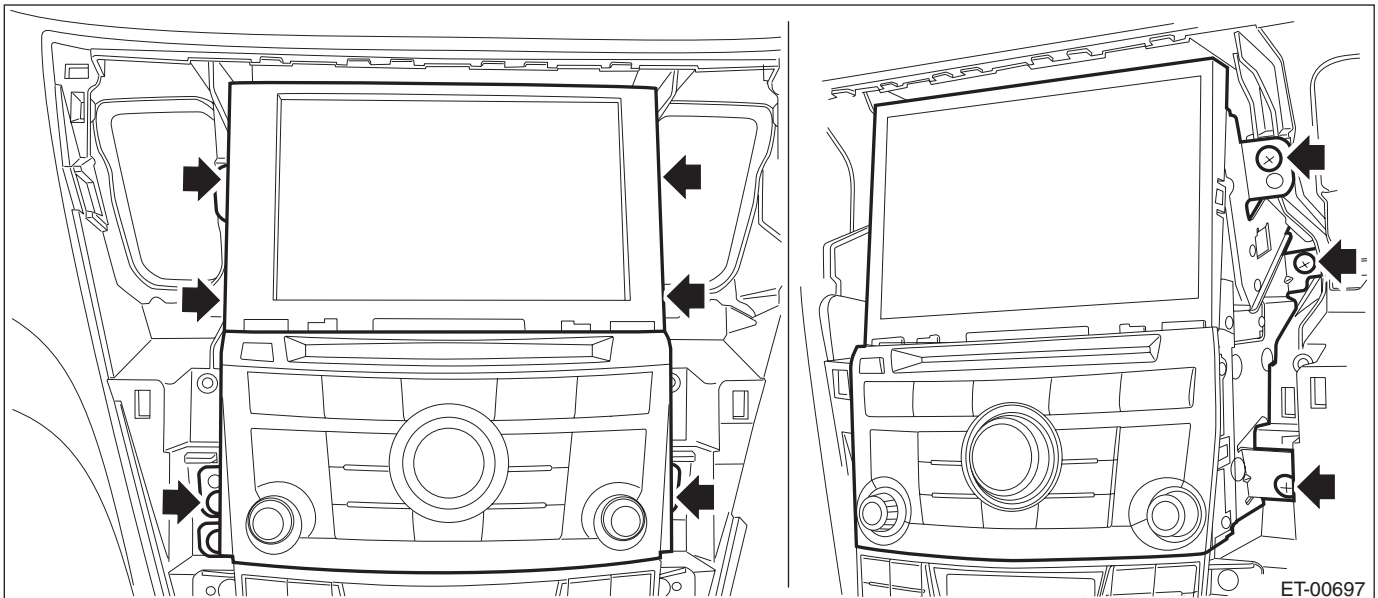
5) Remove the audio assembly.

- (1) Remove the left and right screws, and partially pull the audio out from center console.
- (2) Disconnect the connectors, and remove the audio assembly.



6) Remove the navigation assembly. (model with navigation)

- (1) Remove the left and right screws.
- (2) Disconnect the connectors, and remove the navigation assembly.



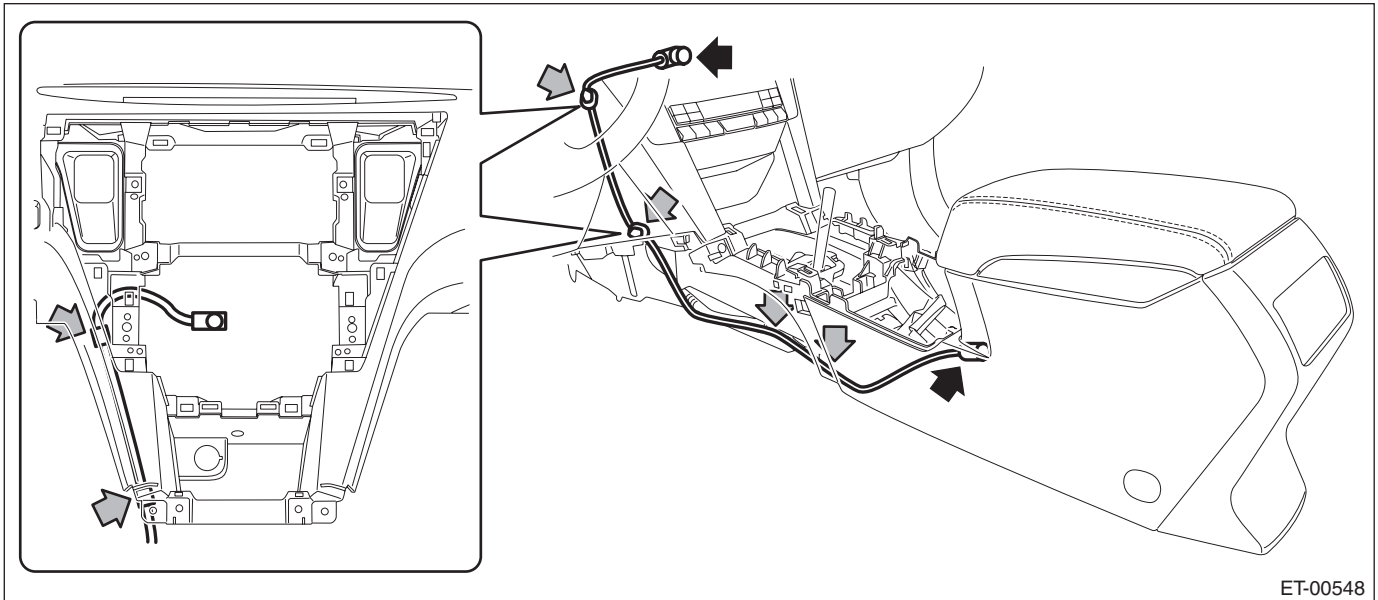
AUX Input Terminal

ENTERTAINMENT

7) Remove the AUX terminal harness.

(1) Remove the harness clamp.

(2) Disconnect the connector from the AUX input terminal assembly, and remove the AUX terminal harness.



B: INSTALLATION

Install each part in the reverse order of removal.

Tightening torque:

Center console: 6.5 N·m (0.66 kgf-m, 4.8 ft-lb)

COMMUNICATION SYSTEM

COM

	Page
1. General Description	2
2. Relay and Fuse	3
3. Horn System	4
4. Horn	5
5. Horn Switch	8