

5. Front Speaker

A: REMOVAL

1. FRONT SIDE SPEAKER

- 1) Disconnect the ground cable from battery.
- 2) Remove the front side speaker.
 - (1) Release the clips and claws, then detach the speaker cover.

CAUTION:

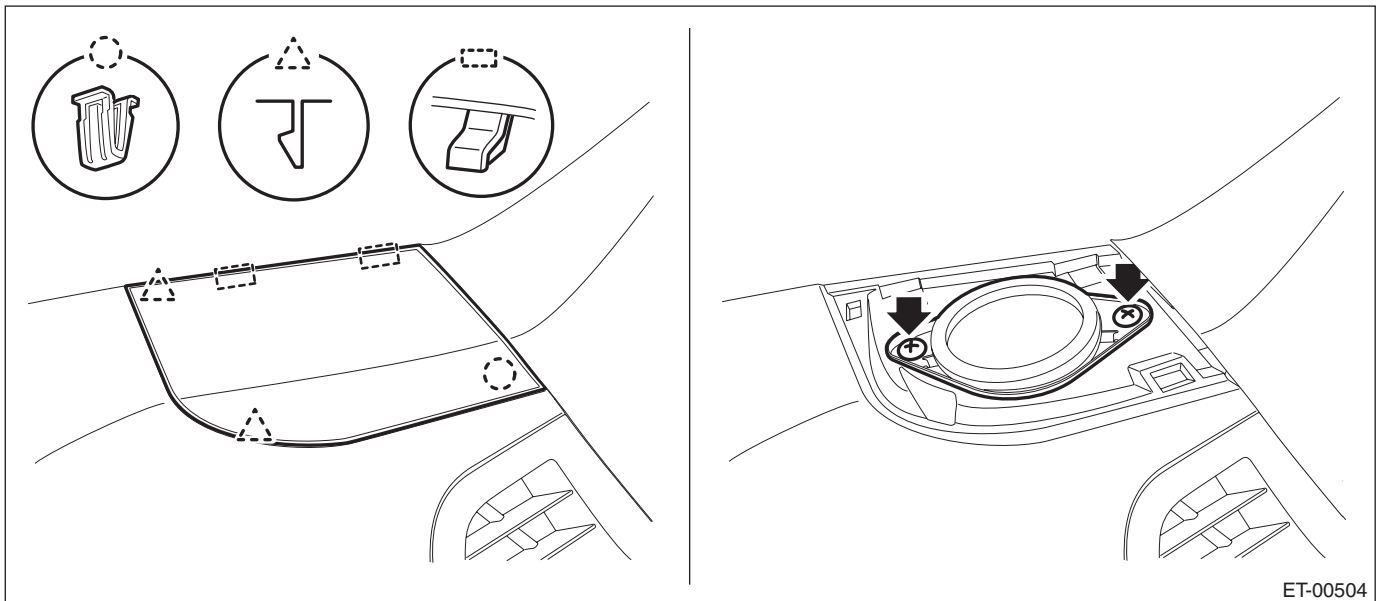
Use a plastic clip remover for removal.

- (2) Remove the screws.

Preparation tool:

Stubby screwdriver

- (3) Disconnect the connector and remove the front side speaker assembly.



ET-00504

NOTE:

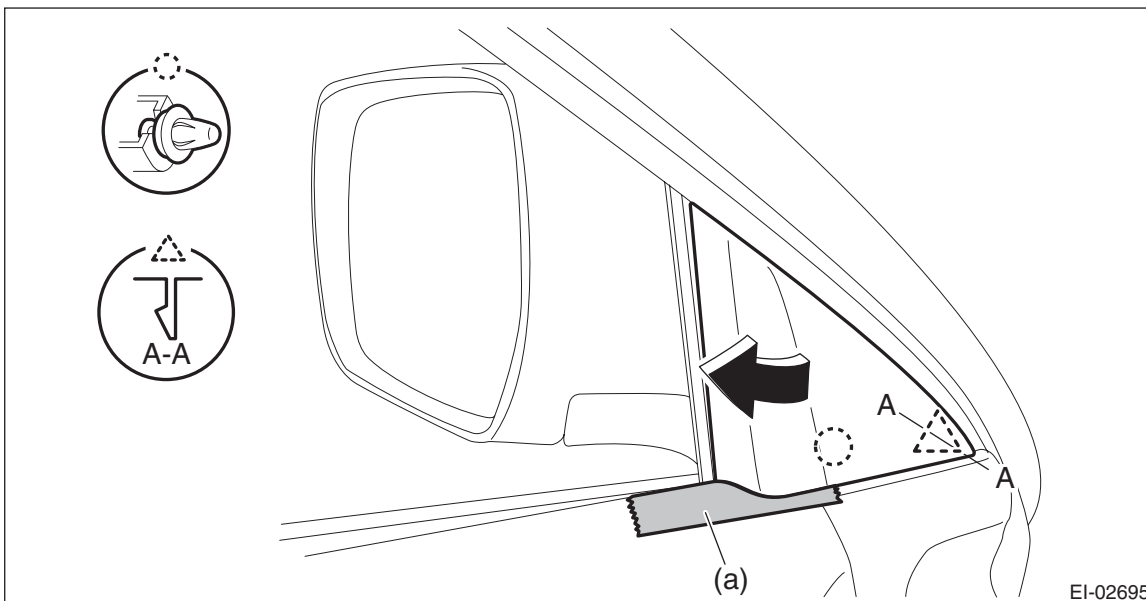
On the passenger's side, also disconnect the sunload sensor connector.

Front Speaker

ENTERTAINMENT

2. FRONT DOOR SPEAKER

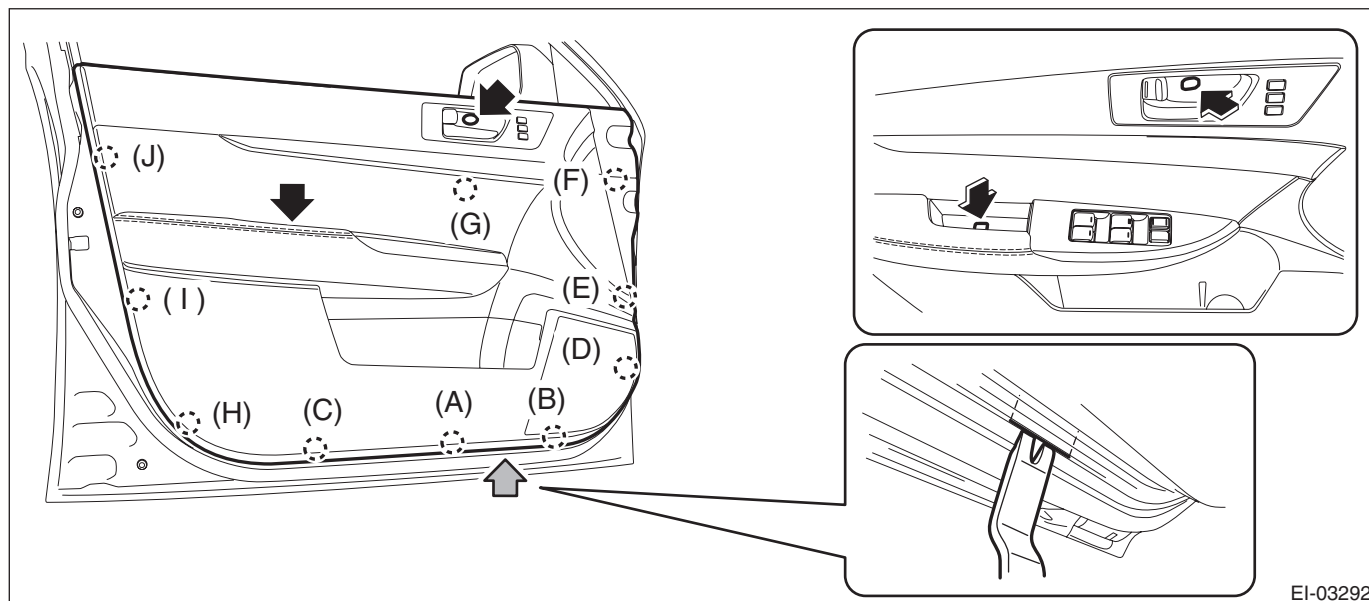
- 1) Disconnect the ground cable from battery.
- 2) Remove the gusset cover.
 - (1) Attach the protective tape (a) to the door trim.
 - (2) Release the clips and claws, then detach the gusset cover.



- 3) Remove the door trim assembly.
 - (1) Open the cover and remove the screw.
 - (2) Remove the clips in the order of (A) to (J) and remove the door trim assembly from the door panel.

CAUTION:

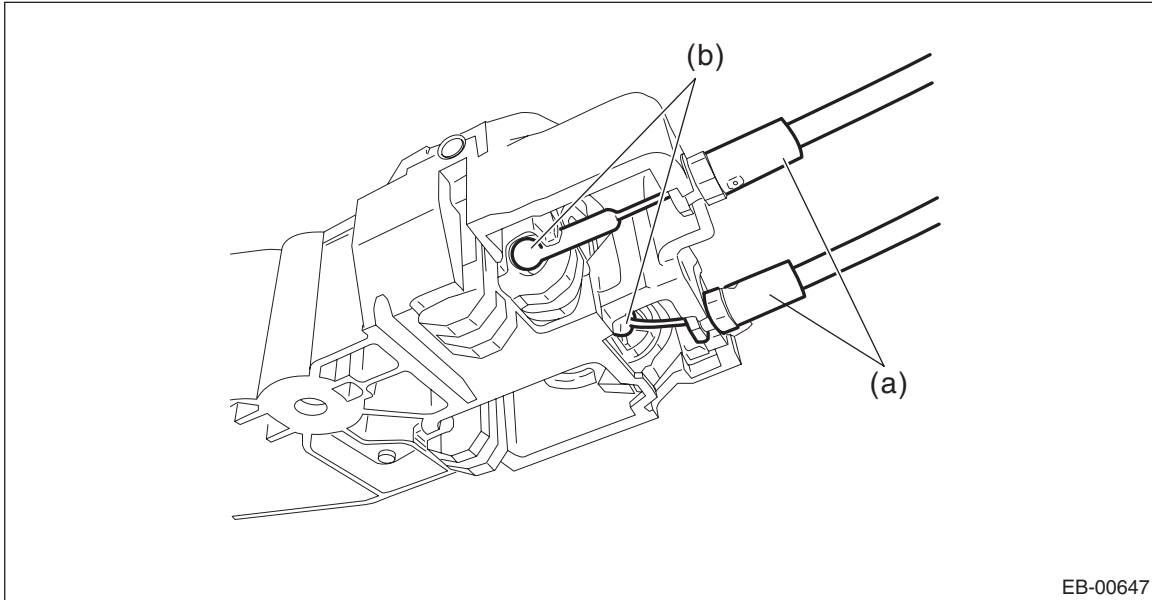
When removing the door trim, be sure to remove the clips in the correct order. Forcibly removing clips may damage the door panel assembly.



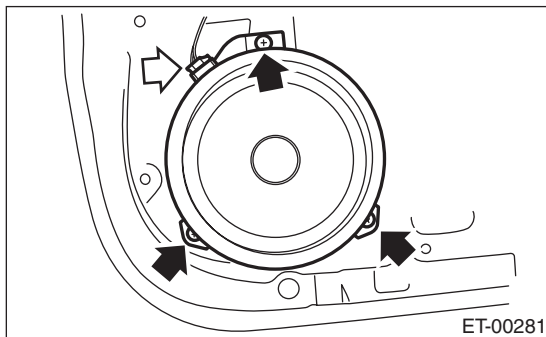
NOTE:

Insert a plastic clip remover into the slit at the bottom of the door trim, to lift the door trim.

- (3) Remove the cables (a) and (b) from the cable holder of inner remote.



- (4) Disconnect the harness connector and remove the door trim assembly.
4) Remove the front door speaker assembly.
(1) Remove the screws.
(2) Disconnect the harness connector and remove the front door speaker assembly.



B: INSTALLATION

Install each part in the reverse order of removal.