

Rear Speaker

ENTERTAINMENT

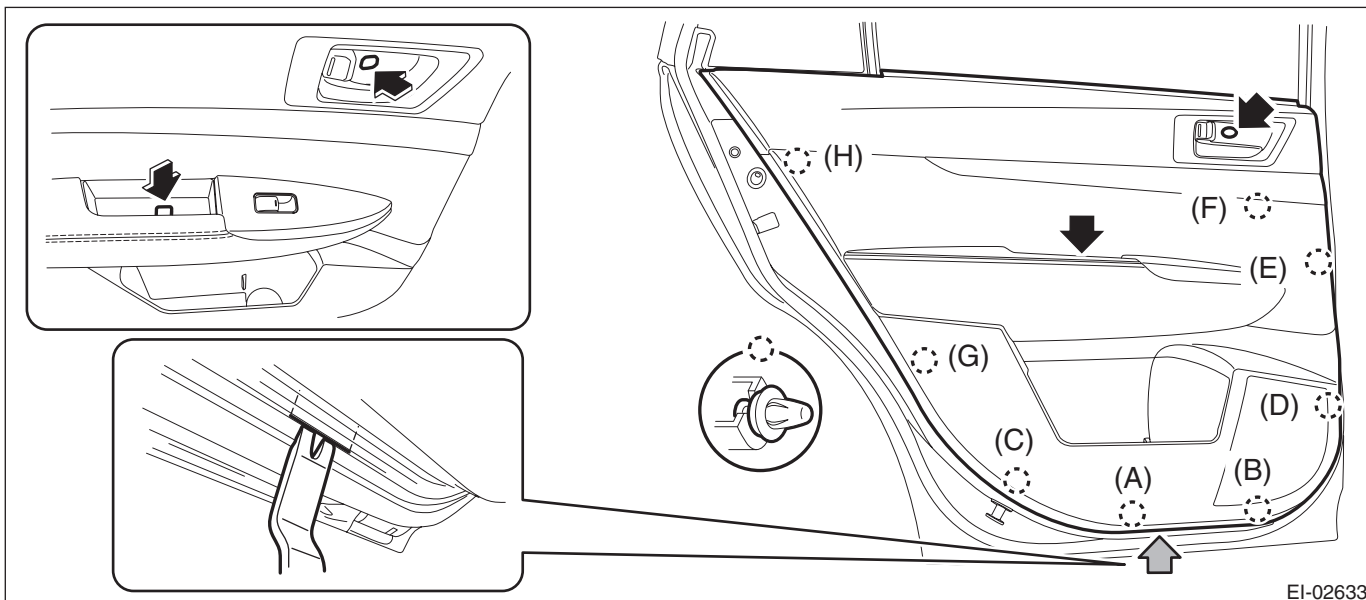
6. Rear Speaker

A: REMOVAL

- 1) Disconnect the ground cable from battery.
- 2) Remove the door trim assembly.
 - (1) Open the cover and remove the screw.
 - (2) Remove the clips in the order of (A) to (H) and remove the door trim assembly from the door panel.

CAUTION:

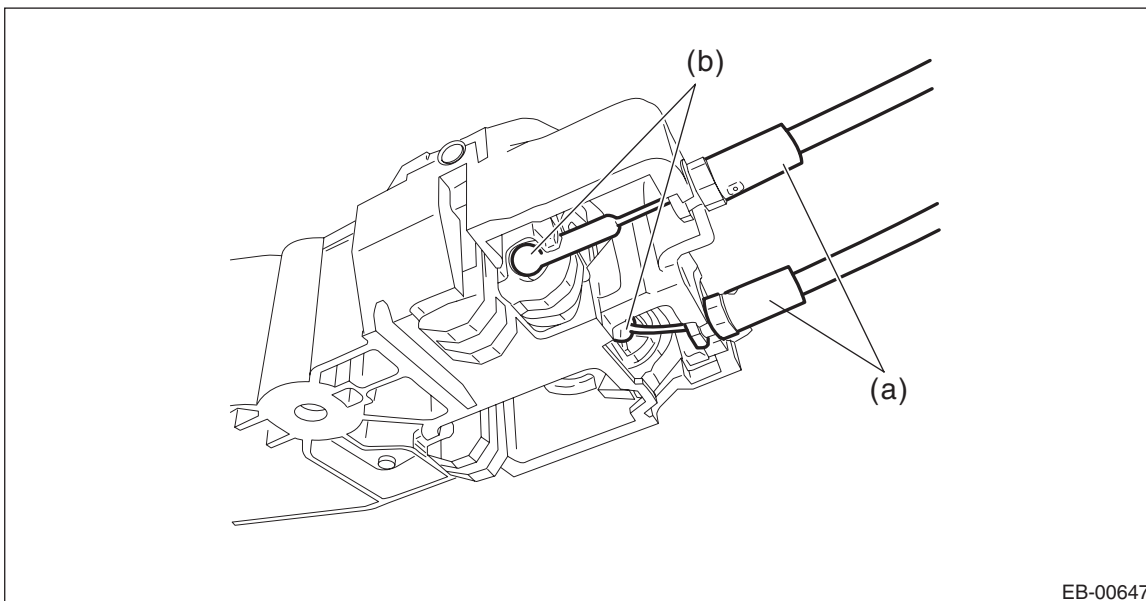
When removing the door trim, be sure to remove the clips in the correct order. Forcibly removing clips may damage the door panel assembly.



NOTE:

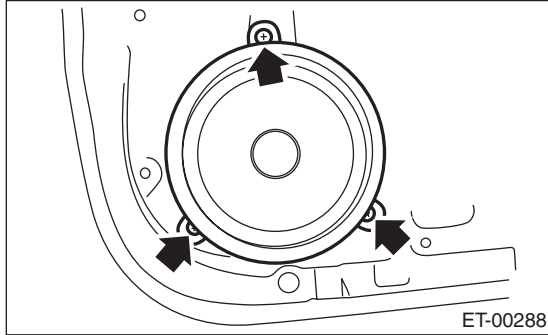
Insert a plastic clip remover into the slit at the bottom edge of the door trim and lift the door trim.

- (3) Remove the cables (a) and (b) from the cable holder of inner remote.



- (4) Disconnect the harness connector and remove the door trim.

- 3) Remove the rear speaker assembly.
 - (1) Remove the screws.
 - (2) Disconnect the harness connector and remove the rear speaker assembly.



B: INSTALLATION

Install each part in the reverse order of removal.