

7. Woofers

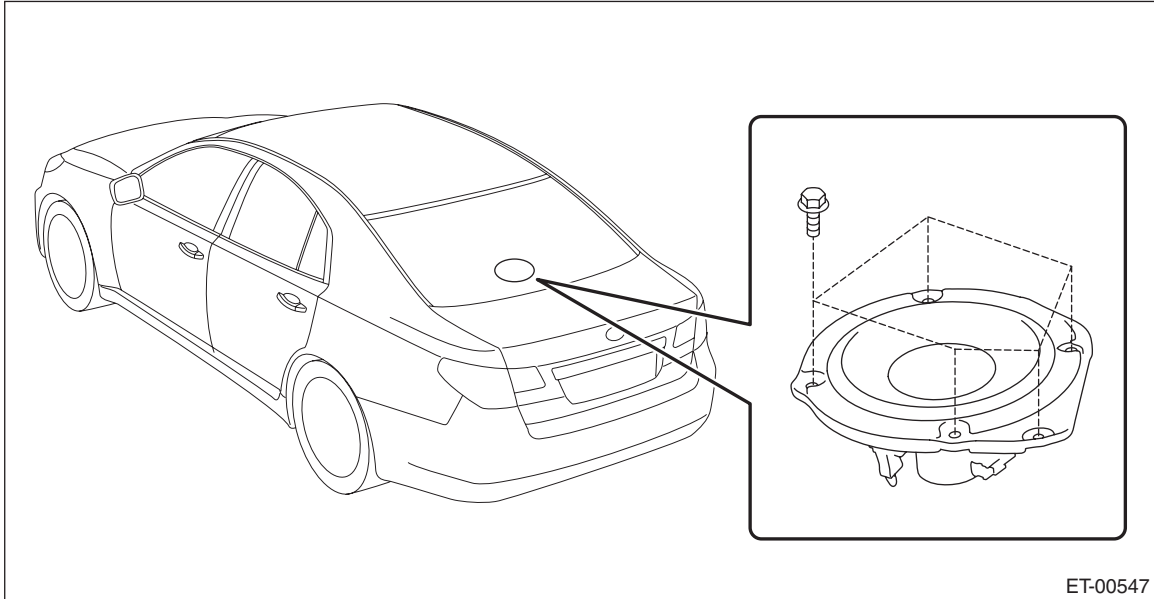
A: REMOVAL

1. SEDAN MODEL

NOTE:

harman/kardon® audio system only.

- 1) Disconnect the ground cable from battery.
- 2) Remove the rear shelf trim. <Ref. to EI-123, REMOVAL, Rear Shelf Trim.>
- 3) Remove the woofer.
 - (1) Remove the screws.
 - (2) Disconnect the harness connector and remove the woofer assembly.

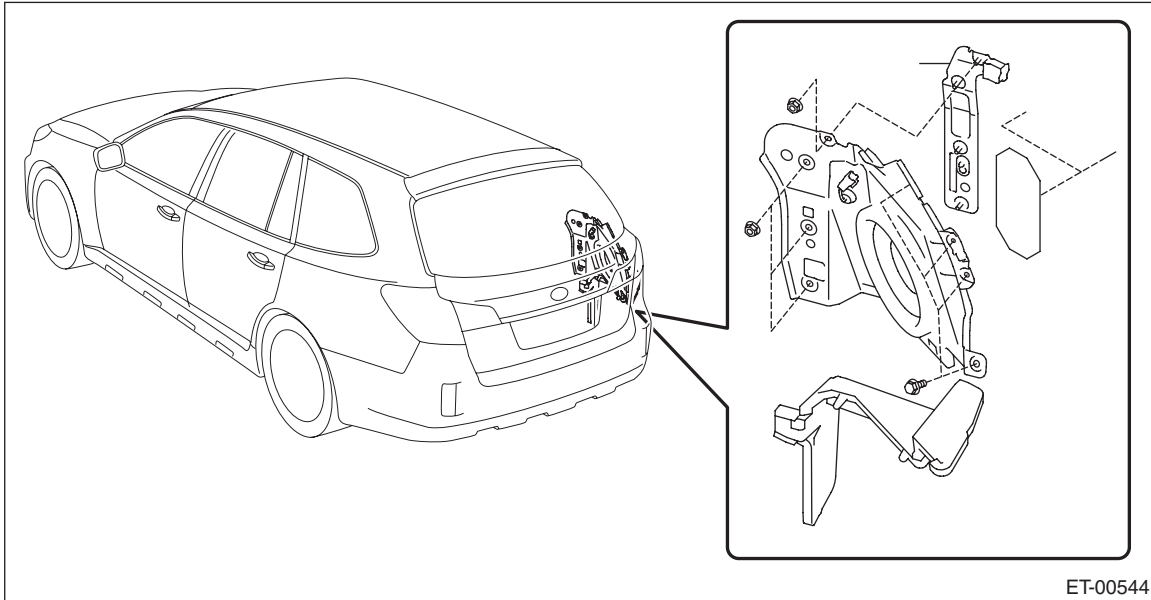


2. OUTBACK MODEL

NOTE:

harman/kardon® audio system only.

- 1) Disconnect the ground cable from battery.
- 2) Remove the rear quarter trim LWR. <Ref. to EI-115, OUTBACK MODEL, REMOVAL, Rear Quarter Trim.>
- 3) Remove the woofer.
 - (1) Remove the woofer bracket mounting bolts and nuts, then remove the woofer bracket.
 - (2) Disconnect the harness connector and remove the woofer assembly.



ET-00544

B: INSTALLATION

Install each part in the reverse order of removal.

Tightening torque:

Woofer (OUTBACK model): 7.5 N·m (0.76 kgf-m, 5.5 ft-lb)