

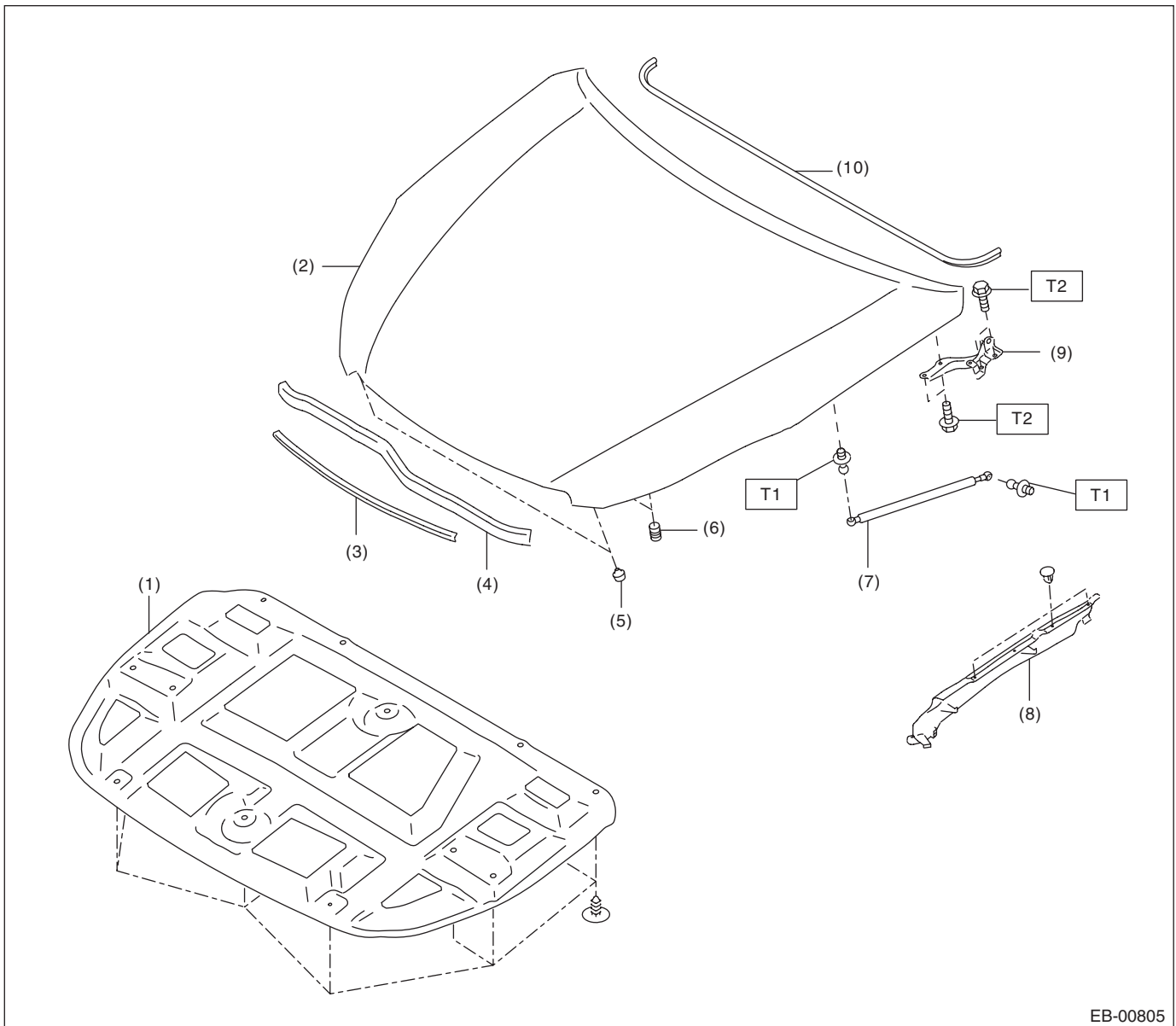
General Description

EXTERIOR BODY PANELS

1. General Description

A: COMPONENT

1. FRONT HOOD



EB-00805

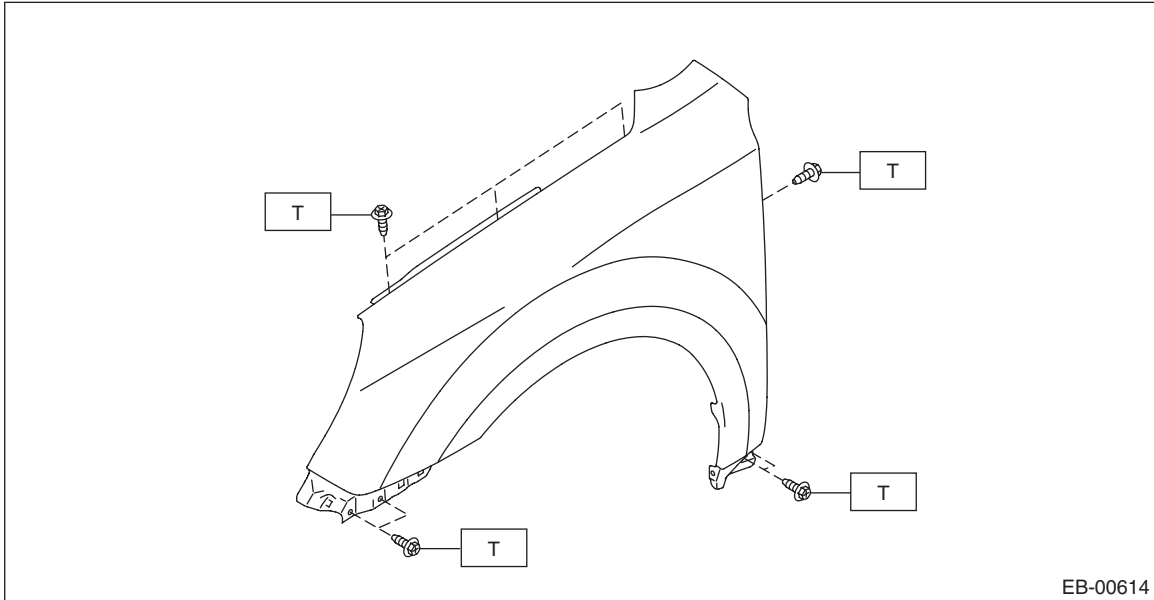
- | | |
|----------------------------|---------------------------|
| (1) Insulator | (6) Buffer (hood side) |
| (2) Front hood panel ASSY | (7) Damper stay ASSY |
| (3) Front grille seal ASSY | (8) Fender cover ASSY UPR |
| (4) Front hood seal ASSY | (9) Hinge |
| (5) Front hood stopper | (10) Cowl panel seal |

Tightening torque: N·m (kgf·m, ft·lb)

T1: 20 (2.04, 14.8)

T2: 25 (2.55, 18.4)

2. FRONT FENDER



EB-00614

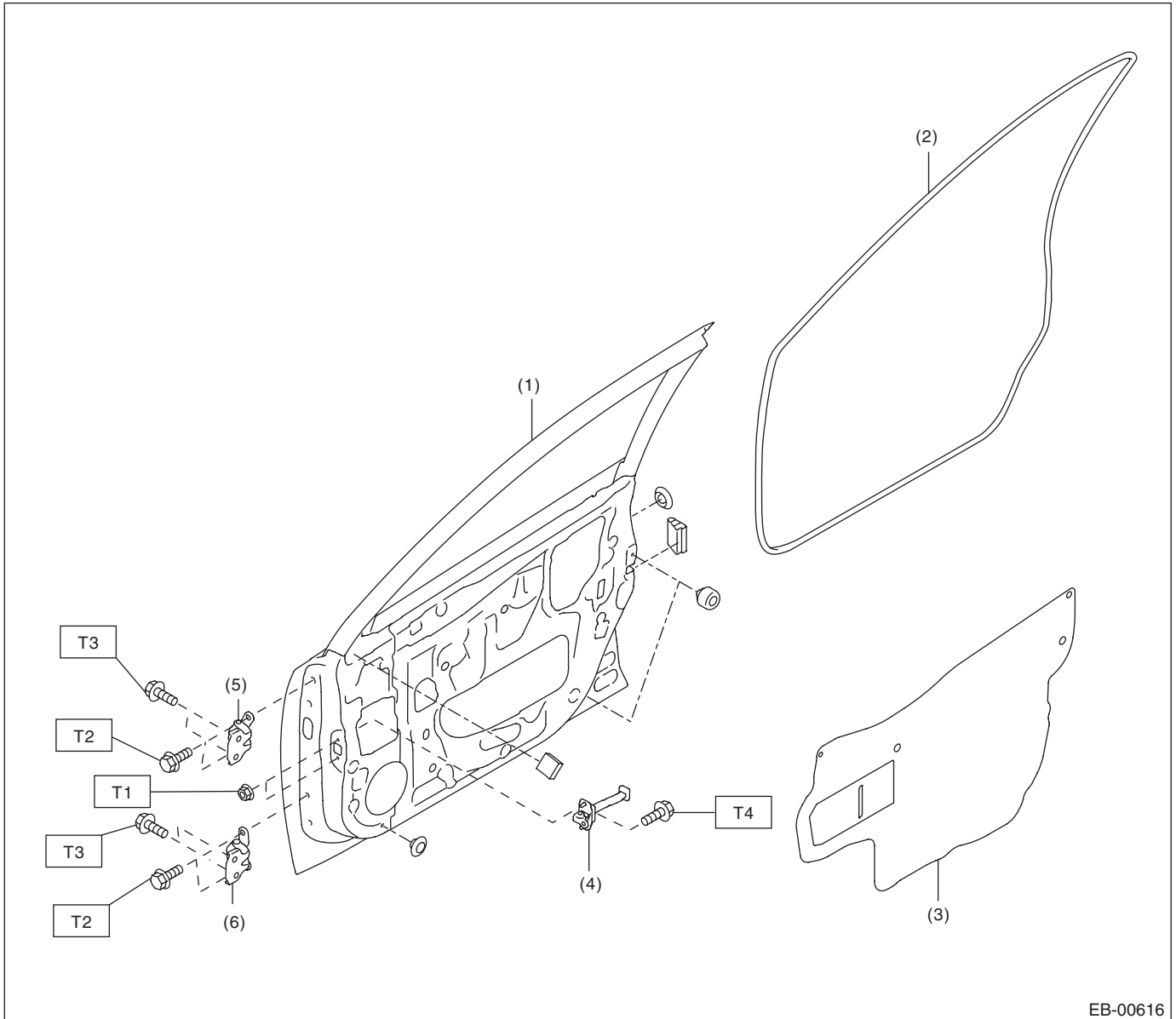
Tightening torque: N·m (kgf·m, ft·lb)

T: 7.5 (0.76, 5.5)

General Description

EXTERIOR BODY PANELS

3. FRONT DOOR



EB-00616

- (1) Front door panel
- (2) Front door weather strip
- (3) Sealing cover
- (4) Checker
- (5) Upper hinge
- (6) Lower hinge

Tightening torque: N·m (kgf·m, ft·lb)

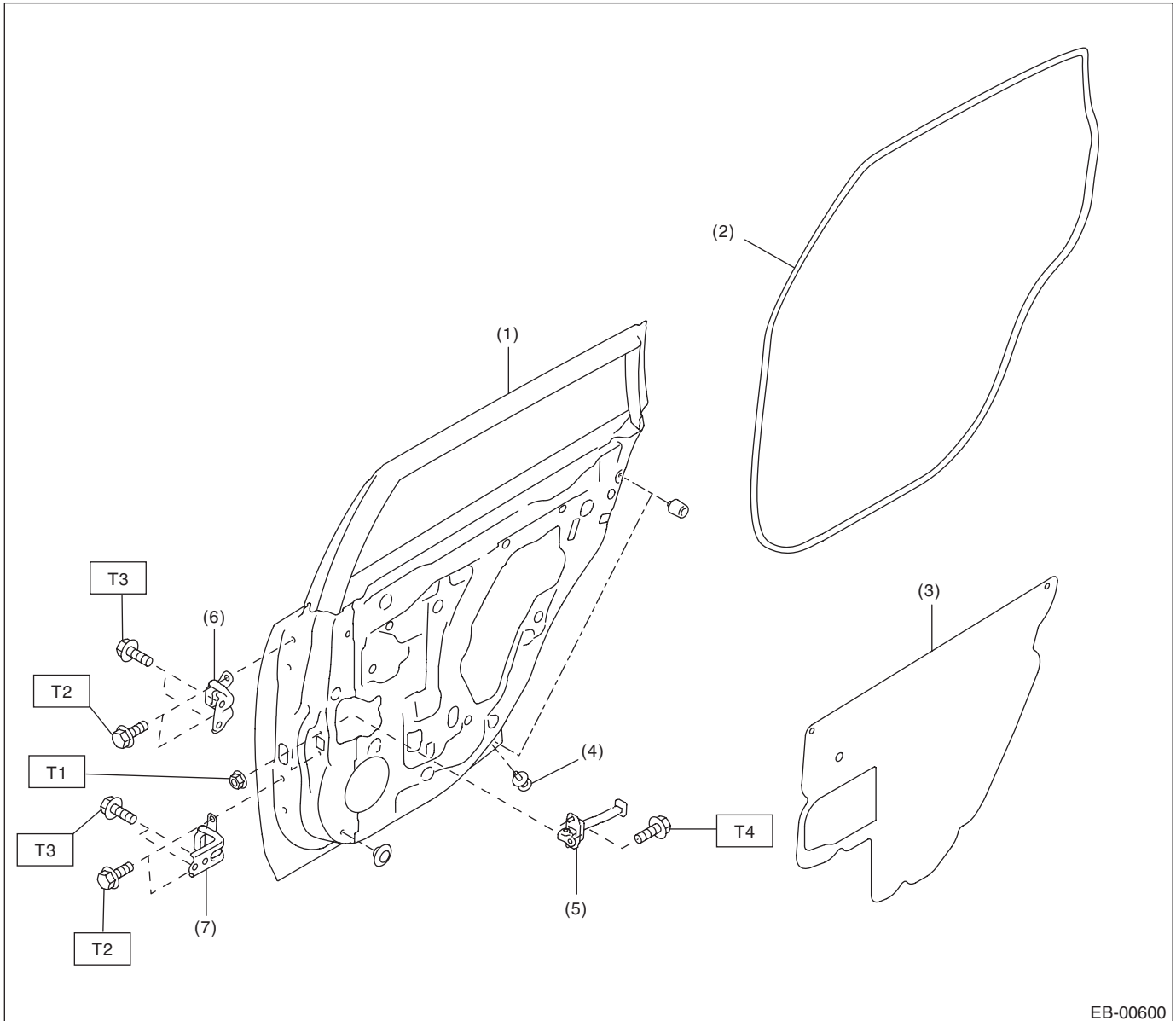
T1: 7.5 (0.76, 5.5)

T2: 25 (2.55, 18.4)

T3: 30 (3.06, 22.1)

T4: 33 (3.36, 24.3)

4. REAR DOOR



- | | |
|-----------------------------|-----------------|
| (1) Rear door panel | (6) Upper hinge |
| (2) Rear door weather strip | (7) Lower hinge |
| (3) Sealing cover | |
| (4) Rear door catcher | |
| (5) Checker | |

Tightening torque: N·m (kgf·m, ft·lb)

T1: 7.5 (0.76, 5.5)

T2: 25 (2.55, 18.4)

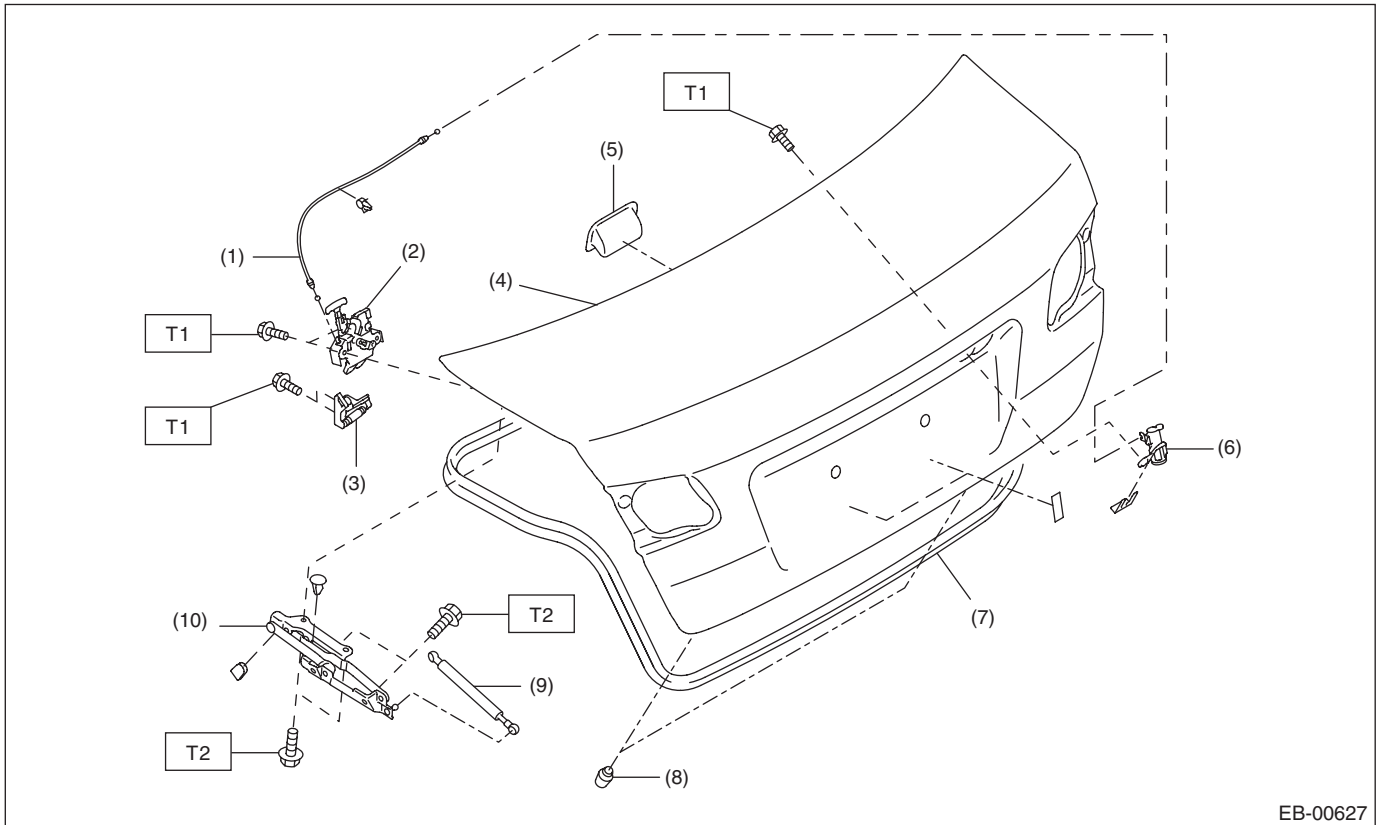
T3: 30 (3.06, 22.1)

T4: 33 (3.36, 24.3)

General Description

EXTERIOR BODY PANELS

5. TRUNK LID PANEL



EB-00627

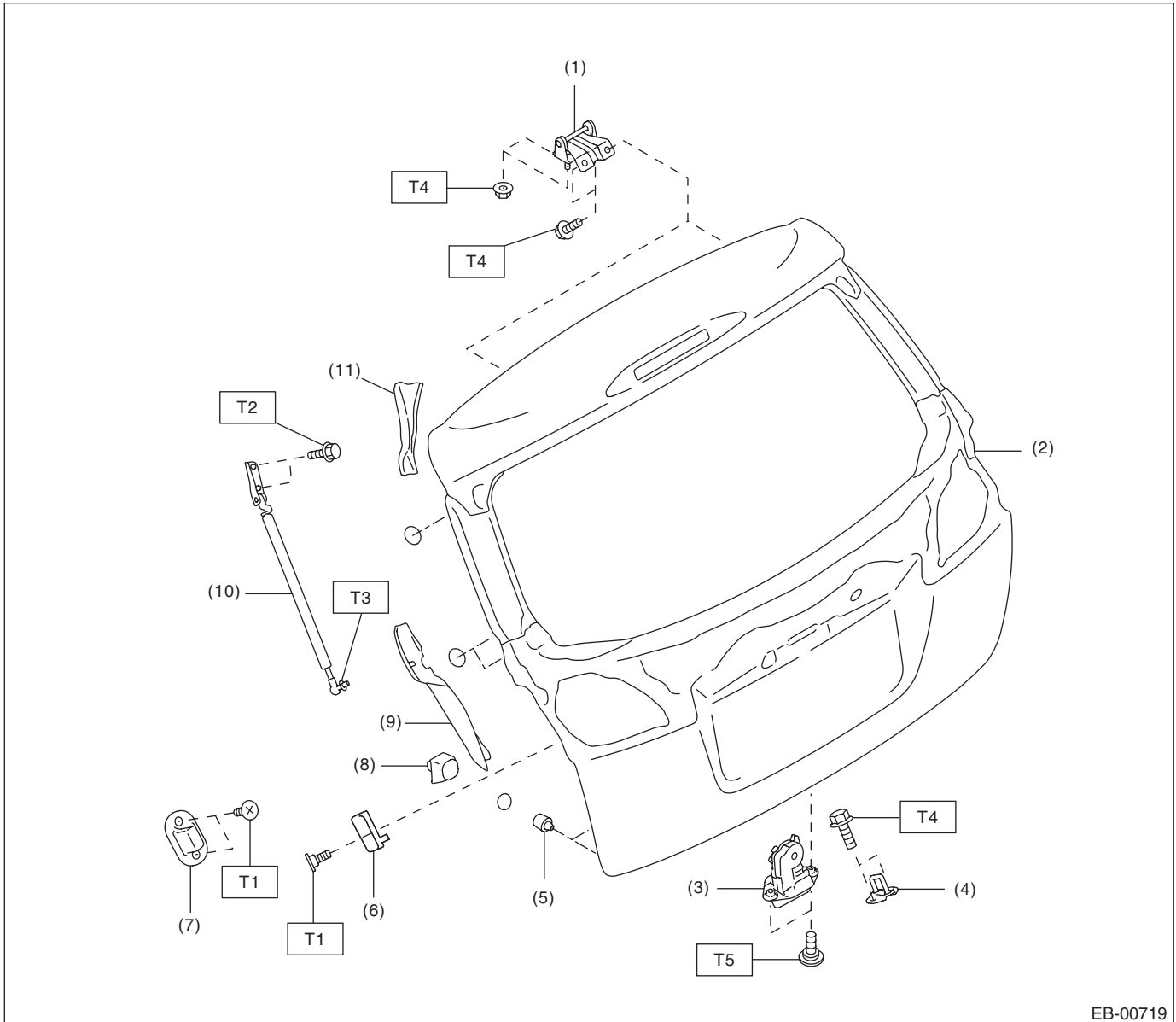
- | | |
|---------------------------------------|---------------------------------|
| (1) Trunk release cable ASSY | (6) Trunk lid key cylinder ASSY |
| (2) Trunk lid latch and actuator ASSY | (7) Weather strip |
| (3) Striker | (8) Trunk lid stopper |
| (4) Trunk lid panel ASSY | (9) Trunk lid damper stay |
| (5) Trunk lid inner handle | (10) Trunk lid hinge ASSY |

Tightening torque: N·m (kgf·m, ft·lb)

T1: 7.5 (0.76, 5.5)

T2: 25 (2.55, 18.4)

6. REAR GATE



EB-00719

(1) Hinge	(7) Buffer (body side)	Tightening torque: N·m (kgf·m, ft·lb)
(2) Rear gate panel	(8) Rear gate spacer (mounted to the body)	T1: 7.5 (0.76, 5.5)
(3) Rear gate latch and actuator ASSY	(9) Rear gate cover	T2: 16 (1.63, 11.8)
(4) Striker	(10) Rear gate damper stay	T3: 20 (2.04, 14.8)
(5) Stopper rubber	(11) Rear gate drip rubber	T4: 25 (2.55, 18.4)
(6) Buffer (rear gate side)		T5: 28 (2.86, 20.7)

B: CAUTION

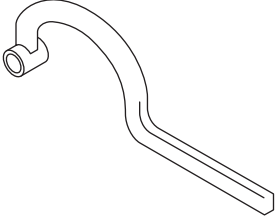
Exterior body panels are heavy. When removing and installing them, do not drop and damage the panels. Also, be careful not to scratch the coated surfaces of the panels.

General Description

EXTERIOR BODY PANELS

C: PREPARATION TOOL

1. SPECIAL TOOL

ILLUSTRATION	TOOL NUMBER	DESCRIPTION	REMARKS
 ST-925610000	925610000	WRENCH	Used for removing and installing door hinge.

2. GENERAL TOOL

TOOL NAME	REMARKS
Support jack	Used for supporting door panel.
Clip remover	Used for removing various types of clips