

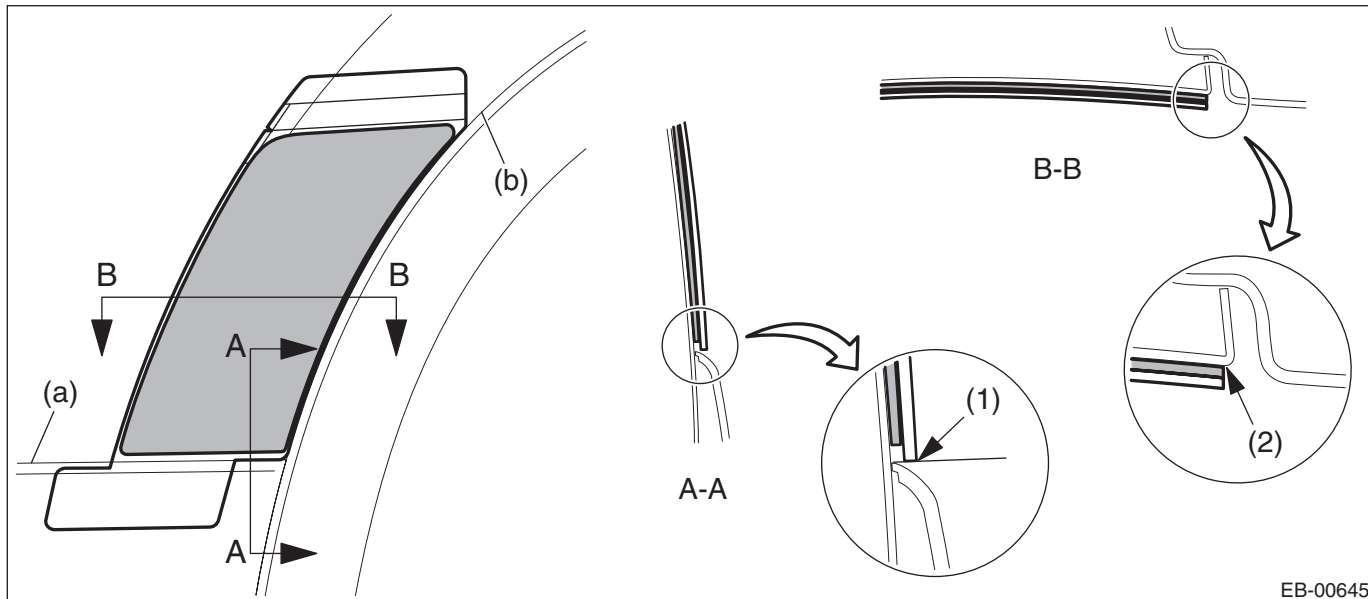
11.Protector Tape

A: INSTALLATION

Apply the protector tape by the following steps.

1. REAR DOOR PROTECTOR (OUTBACK MODEL)

- Type A



EB-00645

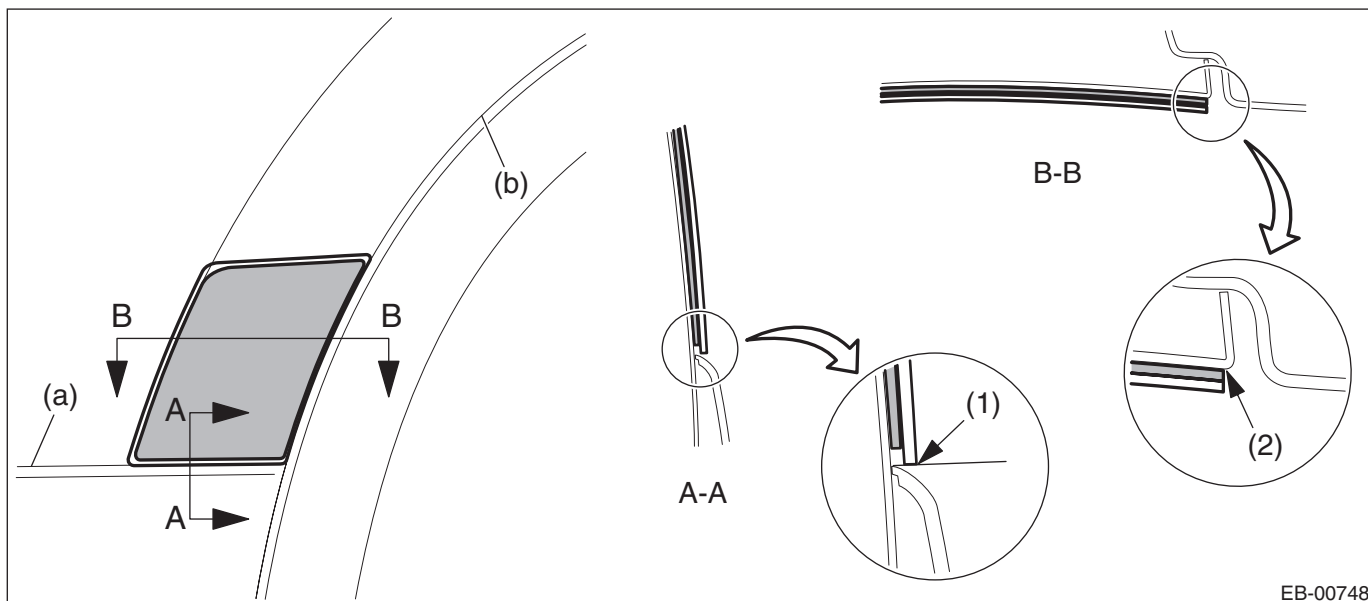
(a) Rear door garnish end

(b) Rear door panel end

(1) Align the application paper to the rear door garnish terminal.

(2) Align the protector tape to the end of rounded corner.

- Type B



EB-00748

(a) Rear door garnish end

(b) Rear door panel end

(1) Align the application paper to the rear door garnish terminal.

(2) Align the protector tape to the end of rounded corner.

Protector Tape

EXTERIOR BODY PANELS

- 1) Clean the area around applying position to remove any foreign objects on body.
- 2) Detach the backing paper and apply the protector tape after positioning it correctly.
- 3) Detach the backing papers, and moisten the applying area and the backside of protector tape by spraying liquid (mild detergent solution at 3% concentration).
- 4) Apply the protector tape to the vehicle body.

CAUTION:

Remove the water or air bubbles out of the protector tape by using the plastic or rubber spatula.

- 5) Detach the application tape and temporary retention tape.

CRUISE CONTROL SYSTEM

CC

	Page
1. General Description	2
2. Relay and Fuse	4
3. Cruise Control System	5
4. Cruise Control Module	6
5. Cruise Control Command Switch	7
6. Combination Meter	12
7. Stop Light & Brake Switch	13
8. Clutch Switch	14
9. Inhibitor Switch	15
10. Transmission Control Module (TCM)	16
11. Neutral Position Switch	17