

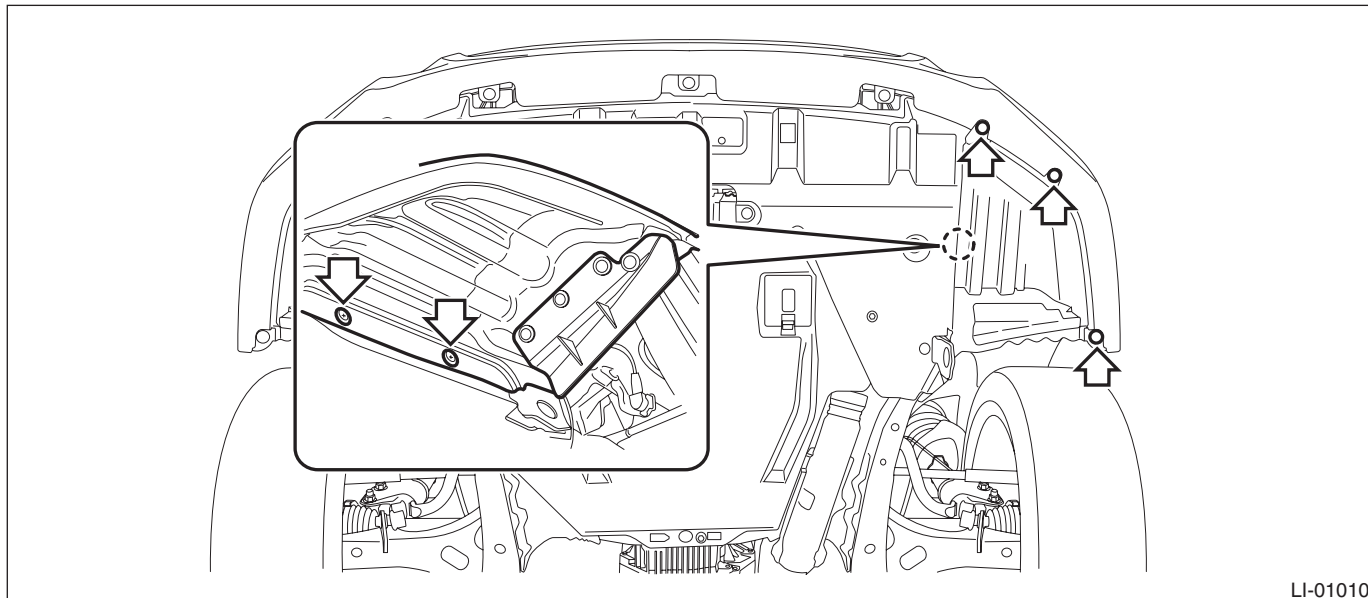
Front Fender

EXTERIOR BODY PANELS

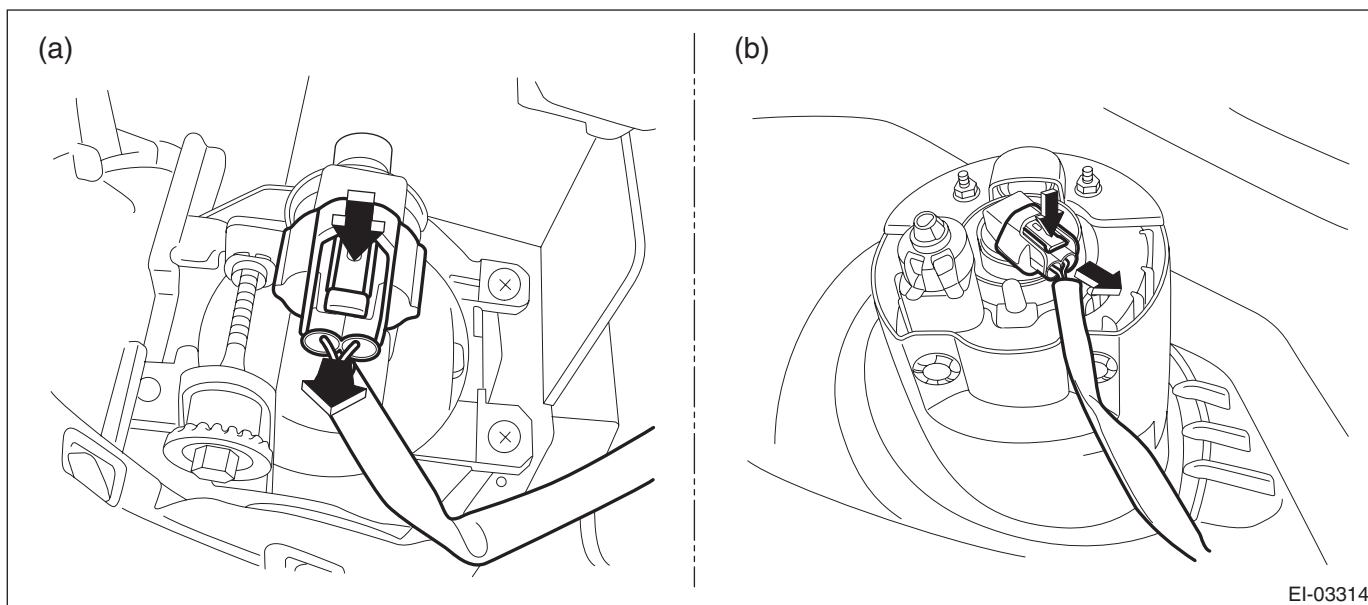
3. Front Fender

A: REMOVAL

- 1) Disconnect the ground cable from battery.
- 2) Remove the bumper face assembly.
 - (1) Remove the clips and turn over the front end of front mud guard. (Model with fog light)



- (2) Disconnect the front fog light connector. (Model with fog light)

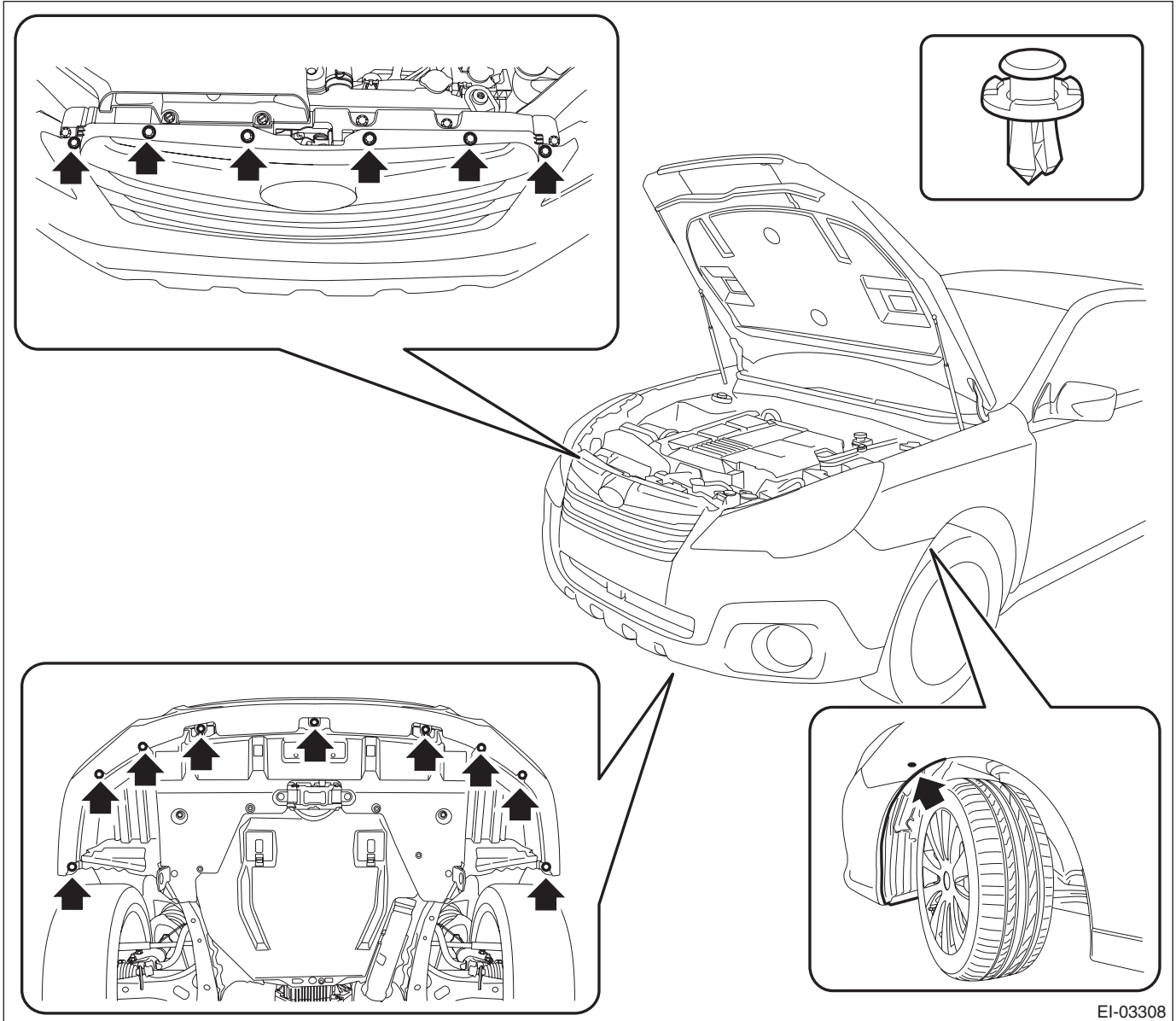


(a) Sedan model

(b) OUTBACK model

- (3) Remove the clips at the upper side of the bumper.
 - (4) Remove the clips from the fender.

(5) Remove the clips at the lower side of bumper.



EI-03308

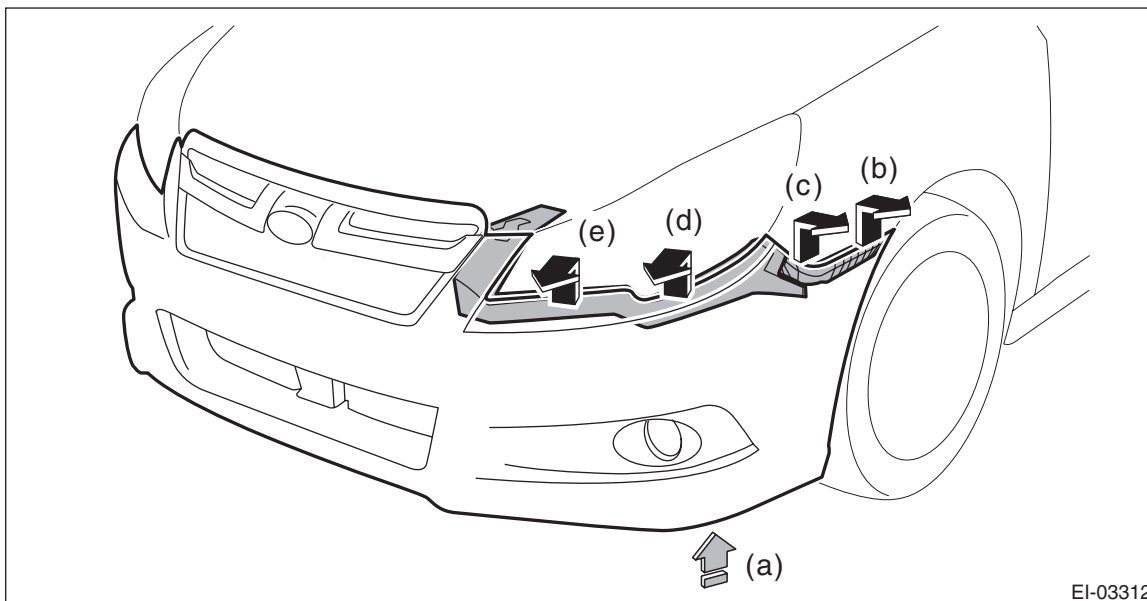
Front Fender

EXTERIOR BODY PANELS

(6) Detach the flange section on the bumper face side from the bracket side front UPR.

CAUTION:

Do not pull forcibly. It may damage the flange section on the bumper face - front side when it comes off from the claws of bracket side front UPR.



EI-03312

NOTE:

Pushing up the lower side (a) of the fog light, remove from (b) to (e).

Detach the opposite side in the same manner.

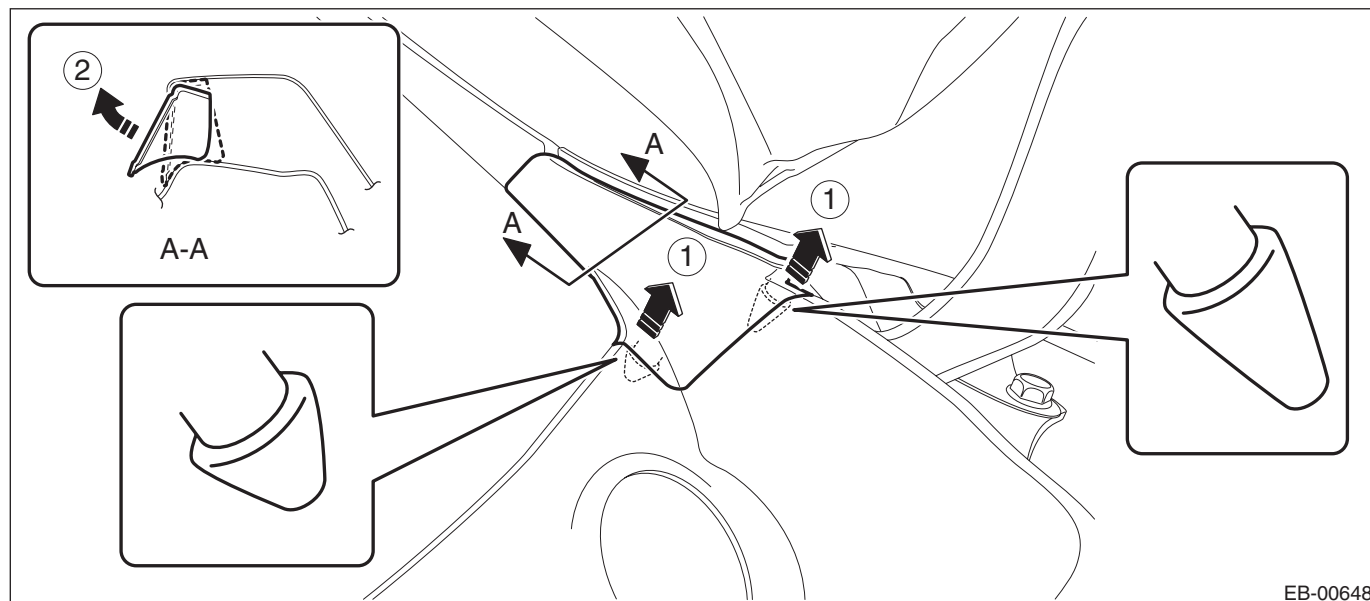
3) Remove the cowl panel side.

(1) Detach the pins of the cowl panel side.

(2) Remove the cowl panel side from inside the fender panel by pulling it.

CAUTION:

Applying excessive pulling force may damage the cowl panel side. If it is difficult to remove, use a plastic remover or equivalent tool.



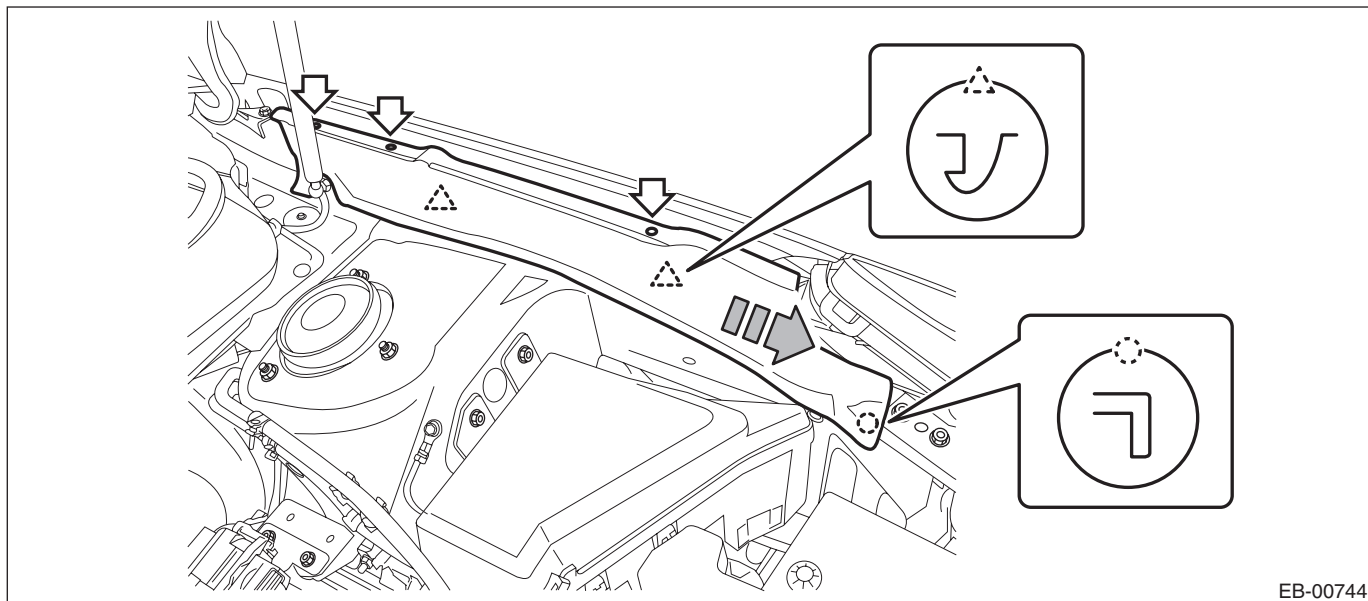
EB-00648

4) Remove the headlight assembly.

(1) Remove the fender cover assembly UPR.

a) Remove the clip.

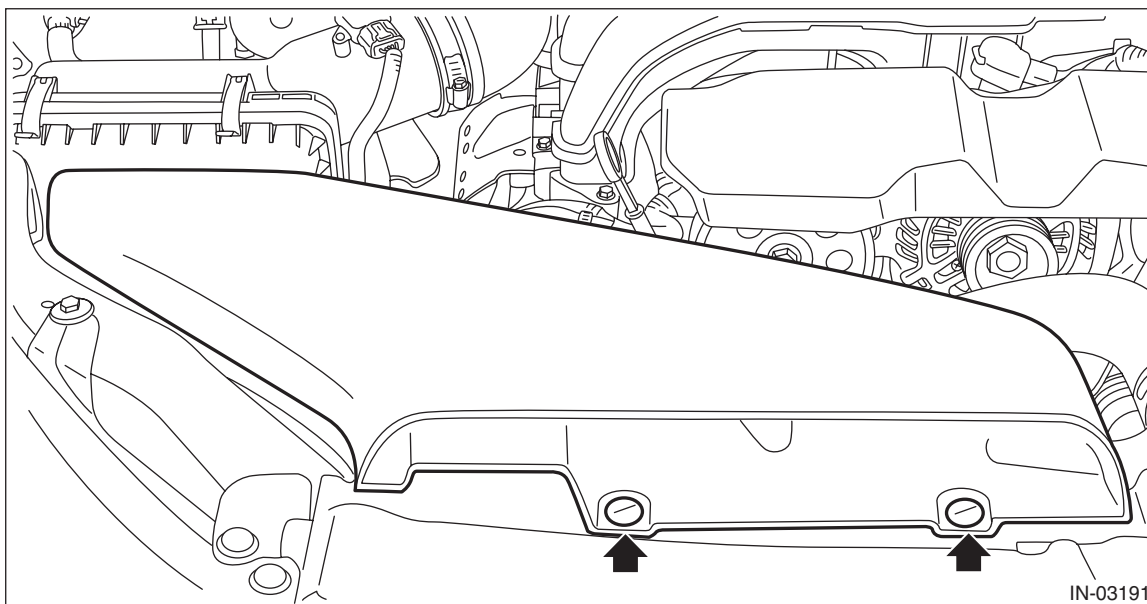
b) Release the claws of the fender cover assembly UPR by pulling it forward and remove the fender cover.



(2) Remove the headlight assembly.

NOTE:

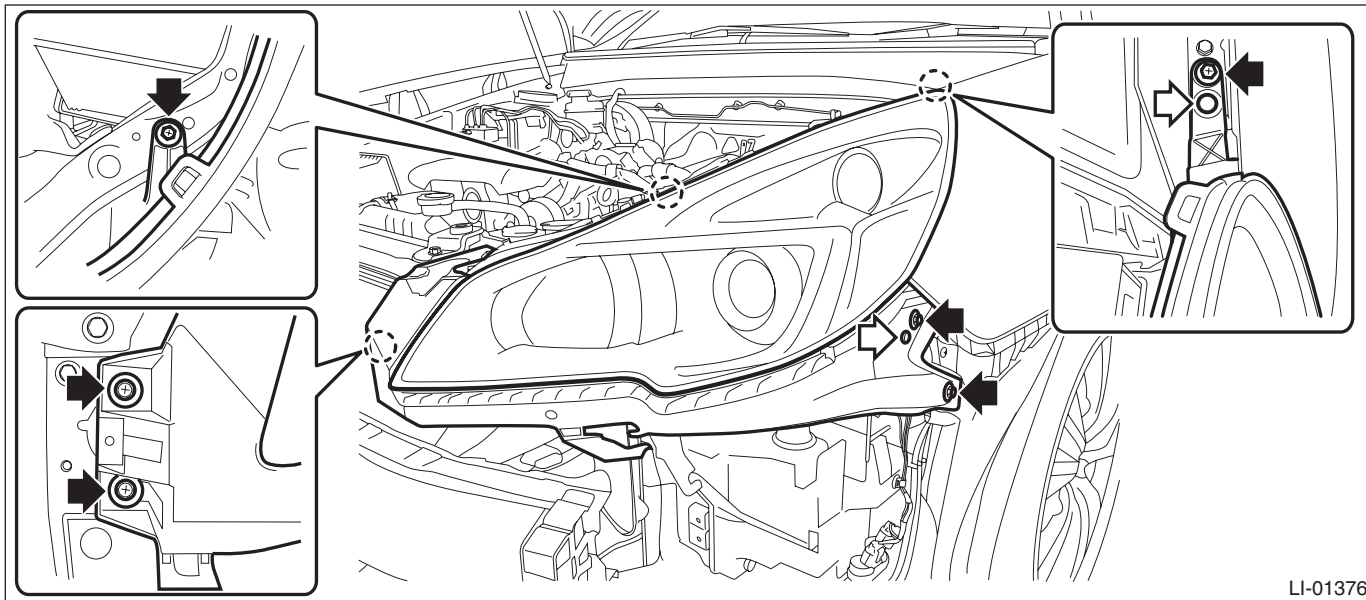
When removing the RH headlight, remove the air intake duct.



Front Fender

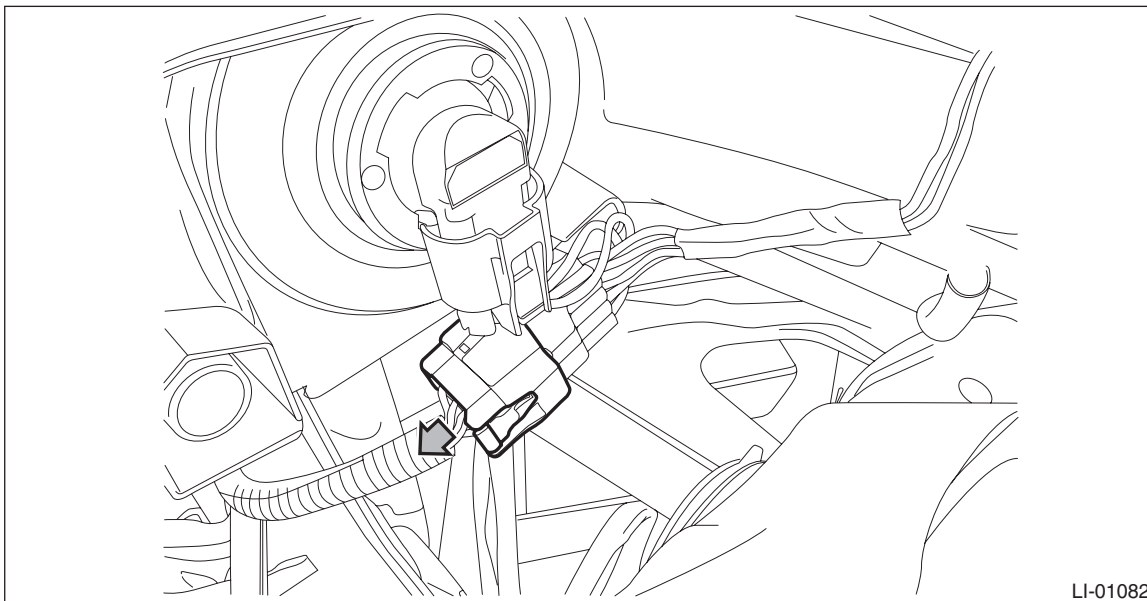
EXTERIOR BODY PANELS

a) Remove the bolts and two clips, and pull out the headlight assembly to the front of the vehicle.

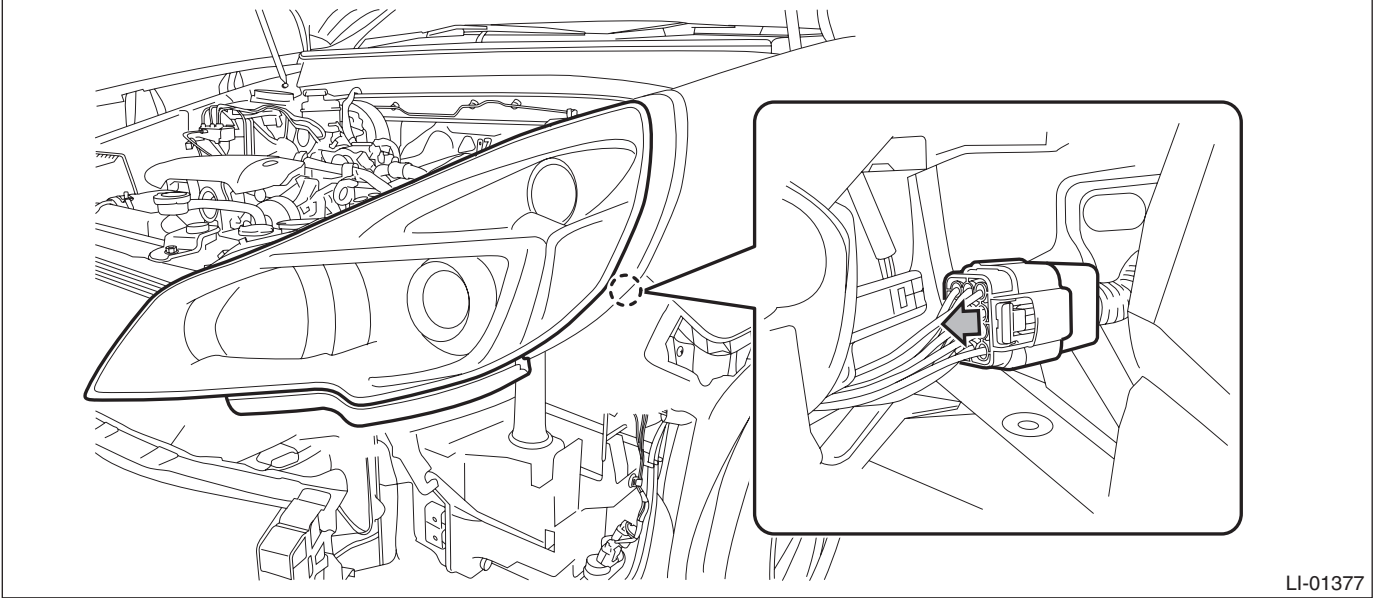


b) Disconnect the connector and remove the headlight assembly.

- Headlight connector RH



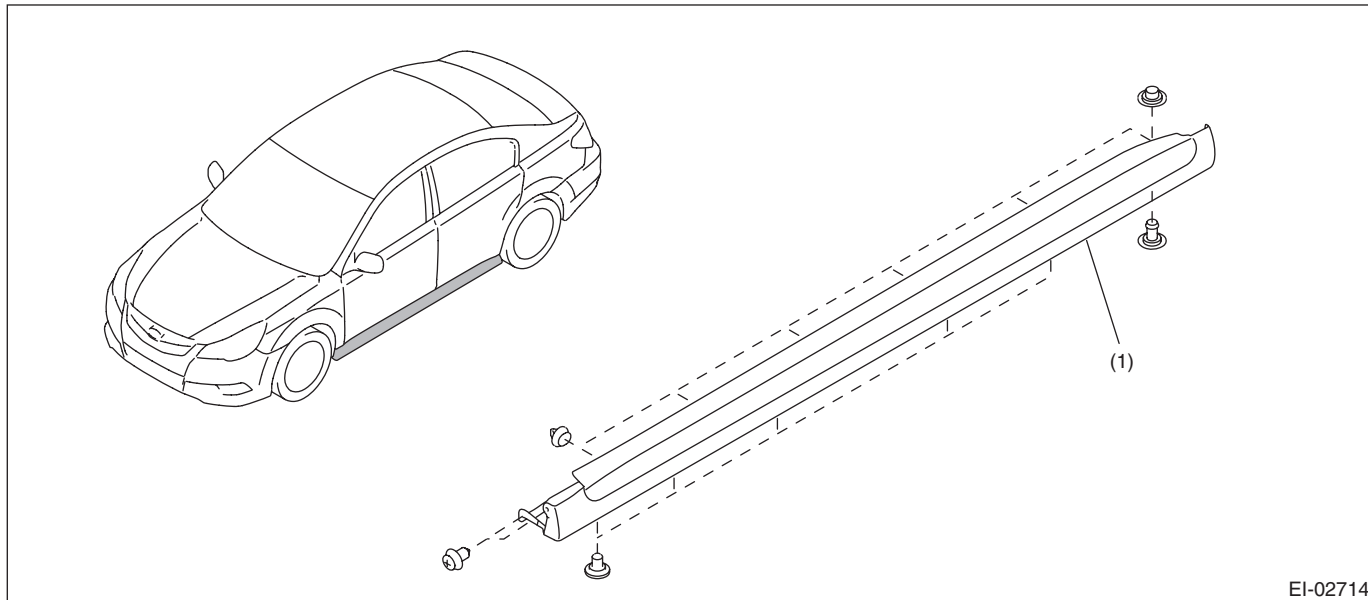
- Headlight connector LH



Front Fender

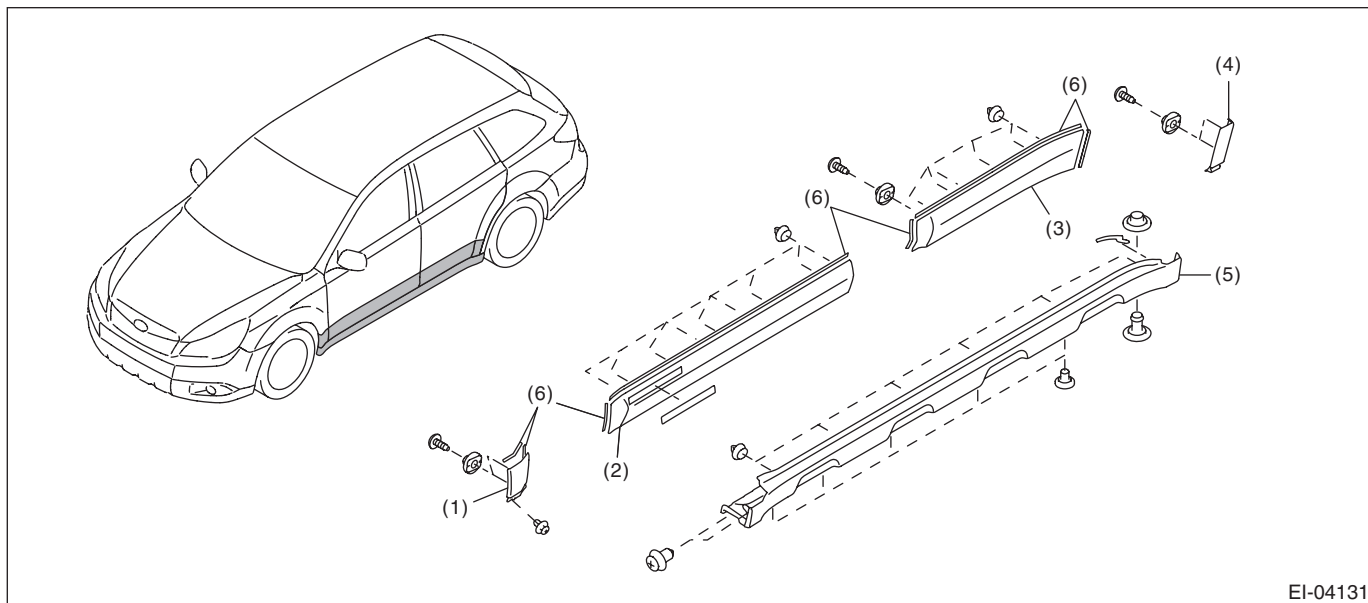
EXTERIOR BODY PANELS

5) Remove the clips and detach the side sill garnish assembly.



EI-02714

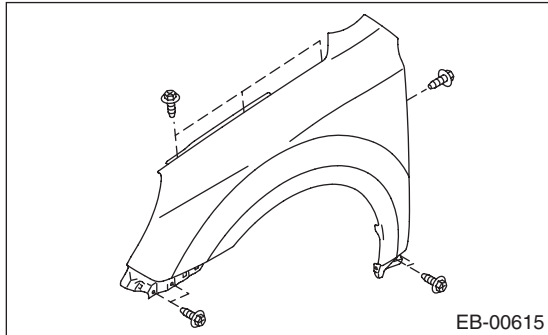
- (1) Side sill garnish ASSY (sedan model)



EI-04131

- | | | |
|---|---|--|
| (1) Garnish ASSY front fender (OUTBACK model) | (3) Garnish ASSY rear door (OUTBACK model) | (5) Side sill garnish ASSY (OUTBACK model) |
| (2) Garnish ASSY front door (OUTBACK model) | (4) Garnish ASSY rear quarter (OUTBACK model) | (6) Double-sided tape |

- 6) Remove the front fender panel.
 (1) Remove the mud guard clips.
 (2) Remove the bolt, and remove the front fender panel.

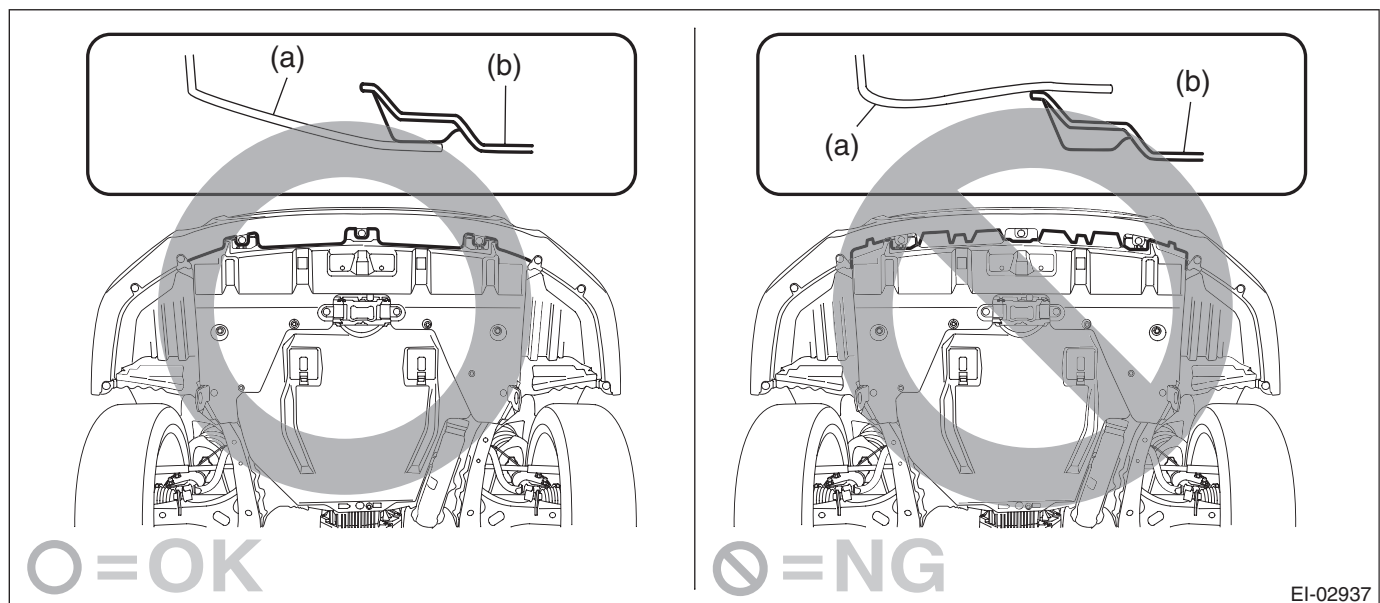


B: INSTALLATION

- 1) Install each part in the reverse order of removal.

CAUTION:

- After the installation of front fender panel, be sure to perform headlight beam adjustment. <Ref. to LI-30, HEADLIGHT BEAM ADJUSTMENT, ADJUSTMENT, Headlight Assembly.>
- Install the bumper face so that the under cover front end (b) comes inside the front bumper face (a).



- Before installing the bumper face, match the claws on the bracket - front bumper with the engaging position of flange section on the bumper face side. If the engaging position is not correct, the flange section may be broken or the clearance between fender panel and bumper face may not be uniform.

Tightening torque:

Front fender panel: 7.5 N·m (0.76 kgf-m, 5.5 ft-lb)

Headlight assembly: 7.5 N·m (0.76 kgf-m, 5.5 ft-lb)

NOTE:

Install while paying attention to make a uniform clearance around the front fender panel.

- Front fender panel — Front hood panel:<Ref. to EB-13, ADJUSTMENT, Front Hood.>
 - Front fender panel — Front door panel:<Ref. to EB-28, ADJUSTMENT, Front Door.>
- 2) Adjust the fog light beam. (Model with fog light)<Ref. to LI-42, FOG LIGHT AIMING, ADJUSTMENT, Front Fog Light Assembly.>