

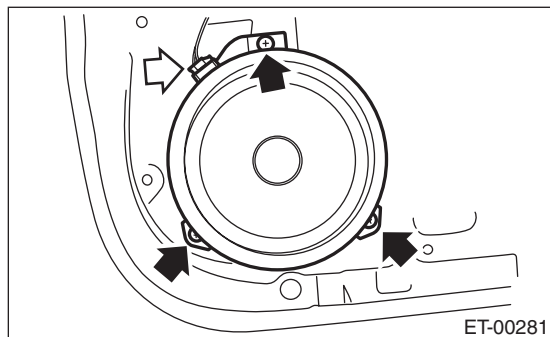
Front Door

EXTERIOR BODY PANELS

4. Front Door

A: REMOVAL

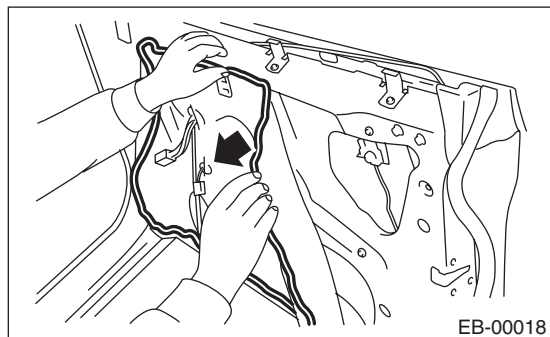
- 1) Disconnect the ground cable from battery.
- 2) Remove the front door trim. <Ref. to EI-59, FRONT DOOR, REMOVAL, Door Trim.>
- 3) Remove the outer mirror assembly. <Ref. to GW-24, REMOVAL, Outer Mirror Assembly.>
- 4) Remove the front door speaker assembly.
 - (1) Remove the screws.
 - (2) Disconnect the harness connector and remove the front speaker assembly.



- 5) Remove the front sealing cover.

CAUTION:

- **Carefully remove the butyl tape. Excessive force will easily break the cover.**
- **If the sealing cover gets broken, replace it with a new part.**
 - (1) Remove the screw to remove the door trim bracket.
 - (2) Carefully remove the butyl tape to remove the sealing cover.

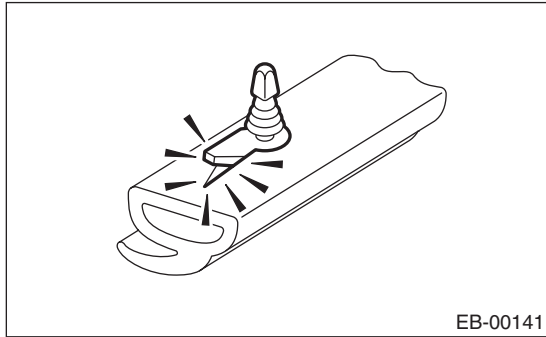


- 6) Remove the door sash and front door glass. <Ref. to GW-18, REMOVAL, Front Door Glass.>
- 7) Remove the front door regulator and motor. <Ref. to GW-20, REMOVAL, Front Regulator and Motor Assembly.>
- 8) Remove the front door latch assembly. <Ref. to SL-41, REMOVAL, Front Door Latch and Door Lock Actuator Assembly.>
- 9) Remove the front outer handle. <Ref. to SL-37, REMOVAL, Front Outer Handle.>

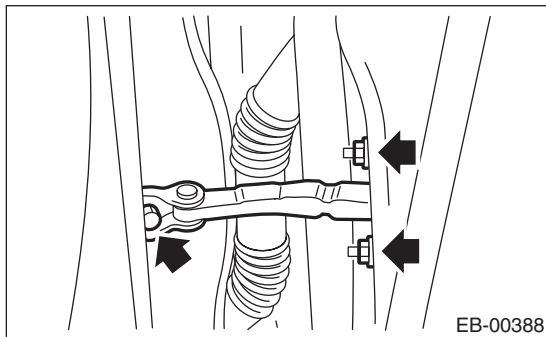
10) Remove the front door weather strip.

CAUTION:

If the weather strip clip is removed with excessive force, the weather strip may be damaged. Be sure to use clip remover to remove.



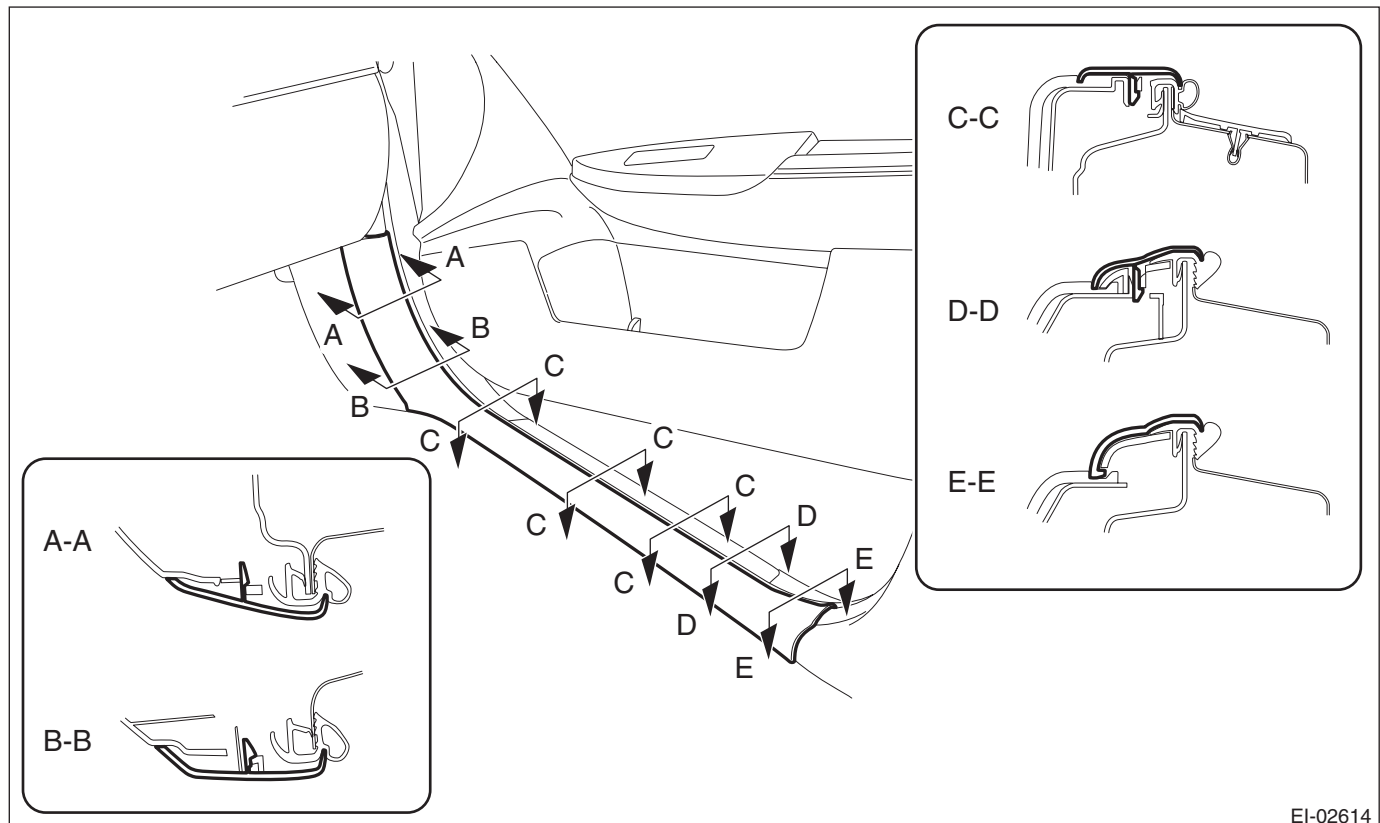
11) Remove the bolts and nuts to remove the door checker.



12) Release the claws, and then remove the side sill cover-front INN.

CAUTION:

Do not pull with excessive force. Doing so may damage the claws of the side sill cover INN.



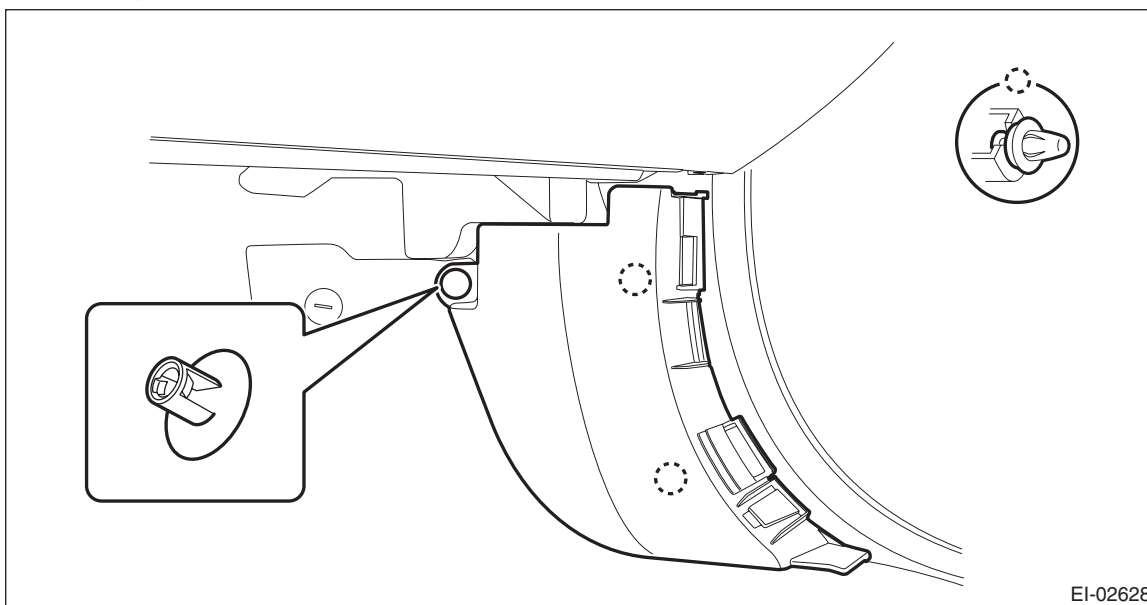
Front Door

EXTERIOR BODY PANELS

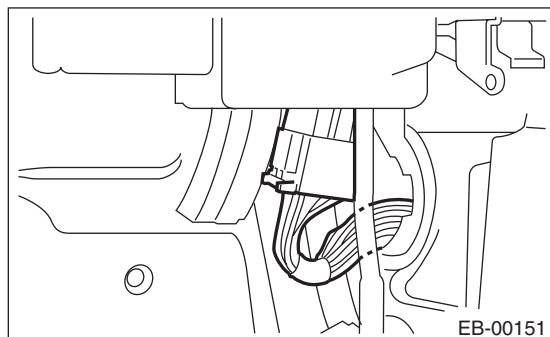
NOTE:

To release the claws of the side sill cover INN, the following steps are recommended.

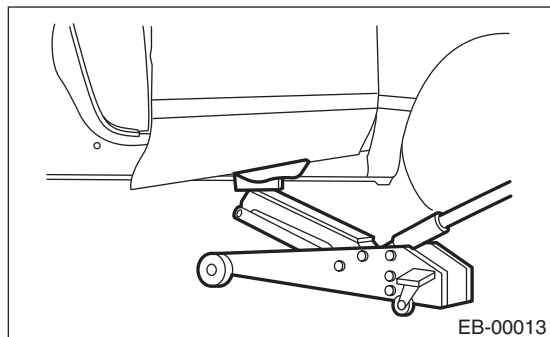
1. Take out the weather strip from under the side sill cover INN.
2. Turn over the floor mat and release the claw (C-C) by accessing from behind the side sill cover INN.
- 13) Remove the clip, and remove the side sill cover front.



- 14) Disconnect the connector of door harness from body harness.



- 15) Before removing the door panel, make the following preparations.



- (1) Put a wooden block on a floor jack and place the jack under the front door.
- (2) Support the door with a jack to protect it from damage.

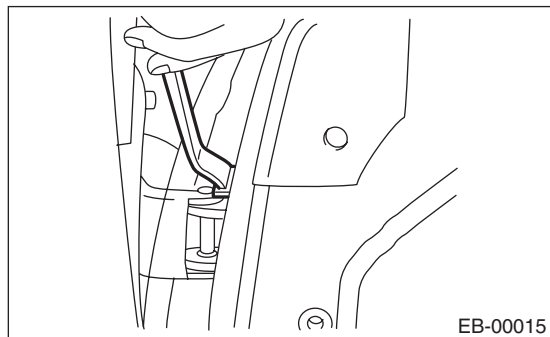
CAUTION:

Do not lift the door panel with a floor jack excessively. The door hinges may be damaged.

16) Remove the door-side bolts for upper and lower hinges to remove front door panel.

CAUTION:

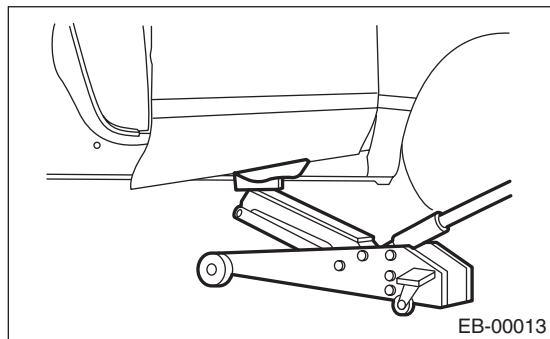
Door panels are heavy. When removing and installing them, always work in a team of two or more persons.



17) Remove the door hinge from vehicle.

B: INSTALLATION

- 1) Remove the fender cover lower from fender panel.
- 2) Apply grease to the sliding area of door hinges, and install the door hinge to vehicle.
- 3) Put a wooden block on jack and place the front door on that.



4) Temporarily install the front door to upper hinge and lower hinge after adjusting the height by jack.

NOTE:

When installing, make sure that a uniform clearance is created around the front door panel.

- 5) Adjust the clearance around the front door panel. <Ref. to EB-28, ADJUSTMENT, Front Door.>
- 6) Install the fender cover lower.
- 7) Tighten the bolts and nuts of door hinges and door checker.

Tightening torque:

Refer to “COMPONENT” of “General Description”. <Ref. to EB-4, FRONT DOOR, COMPONENT, General Description.>

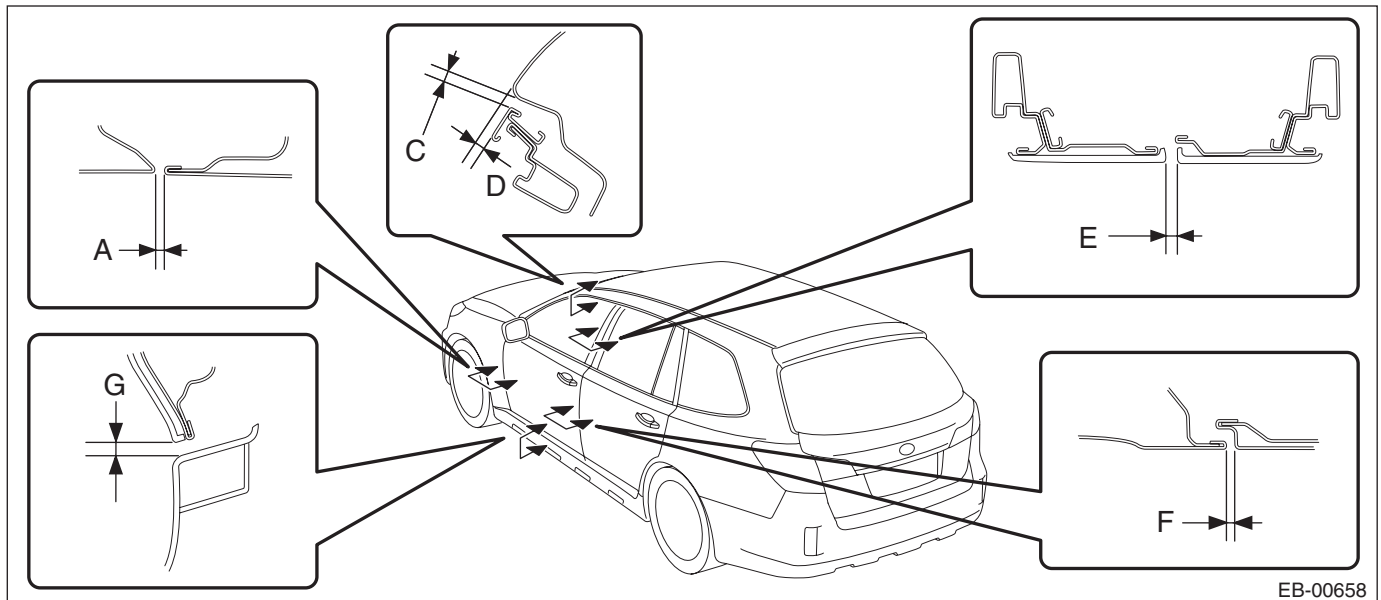
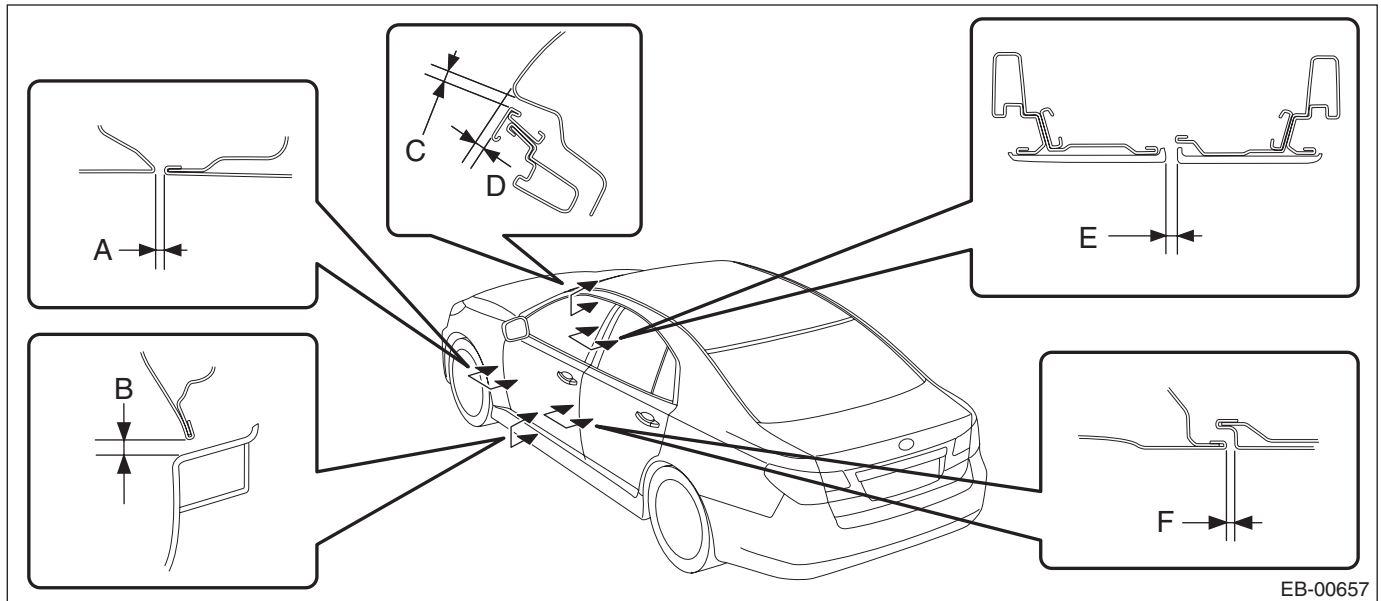
- 8) Install door internal parts in the reverse order of removal.
- 9) Connect the door harness connector, and install the front pillar lower trim.

Front Door

EXTERIOR BODY PANELS

C: ADJUSTMENT

Adjust the clearance around the front door panel as follows.



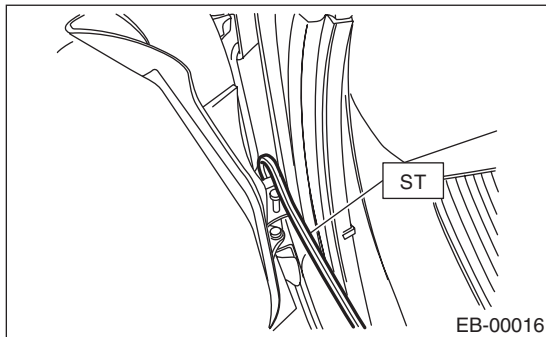
Part		Standard
A	Front fender panel to Front door panel	4.6±1.0 mm (0.18±0.04 in)
B	Front door panel to Side sill garnish (sedan model)	6.0±1.0 mm (0.24±0.04 in)
C	Outer side panel to Front door sash	5.0±1.0 mm (0.20±0.04 in)
D	Surface level gap between outer side panel and front door sash	3.5±1.0 mm (0.14±0.04 in)
E	Front door sash to Rear door sash	5.5±1.0 mm (0.22±0.04 in)
F	Front door panel to Rear door panel	4.6±1.0 mm (0.18±0.04 in)
G	Front door garnish to Side sill garnish (OUTBACK model)	8.0±1.0 mm (0.31±0.04 in)

NOTE:
Common to sedan and OUTBACK models

- 1) Adjust the vertical and horizontal positions of front door panel.

Preparation tool:

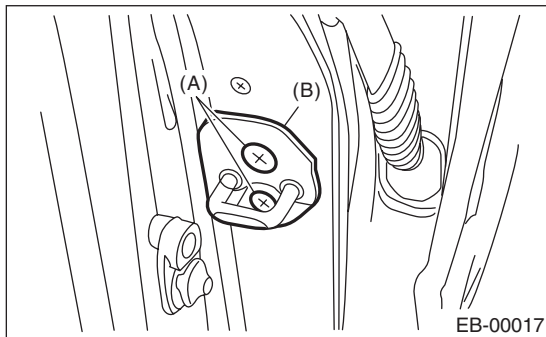
ST: WRENCH (925610000)



- (1) Using ST, loosen the body side bolts of the upper and lower hinges.
 - (2) Adjust the vertical and horizontal clearance of front door panel.
- 2) Adjust the surface level gap between front door panel and rear door.

CAUTION:

Do not use an impact wrench. Welding area on the striker nut plate is easily broken.



- (1) Loosen the screws (A).
 - (2) Tap the striker (B) using a plastic hammer to adjust the surface level gap between rear end of front door panel and front end of rear door panel.