

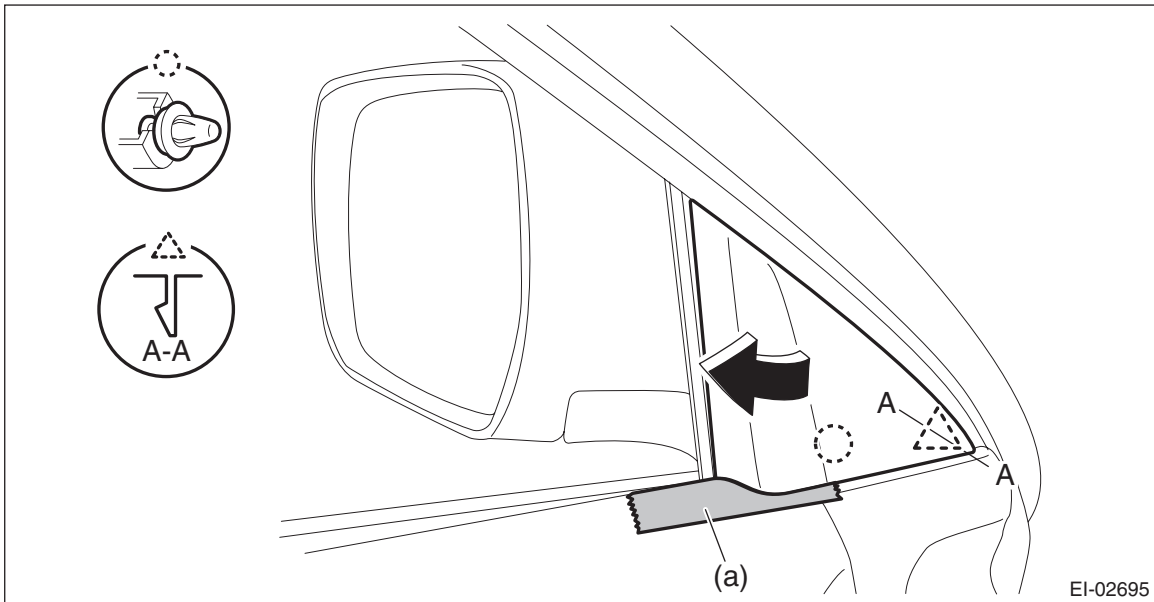
# Front Sealing Cover

EXTERIOR BODY PANELS

## 5. Front Sealing Cover

### A: REMOVAL

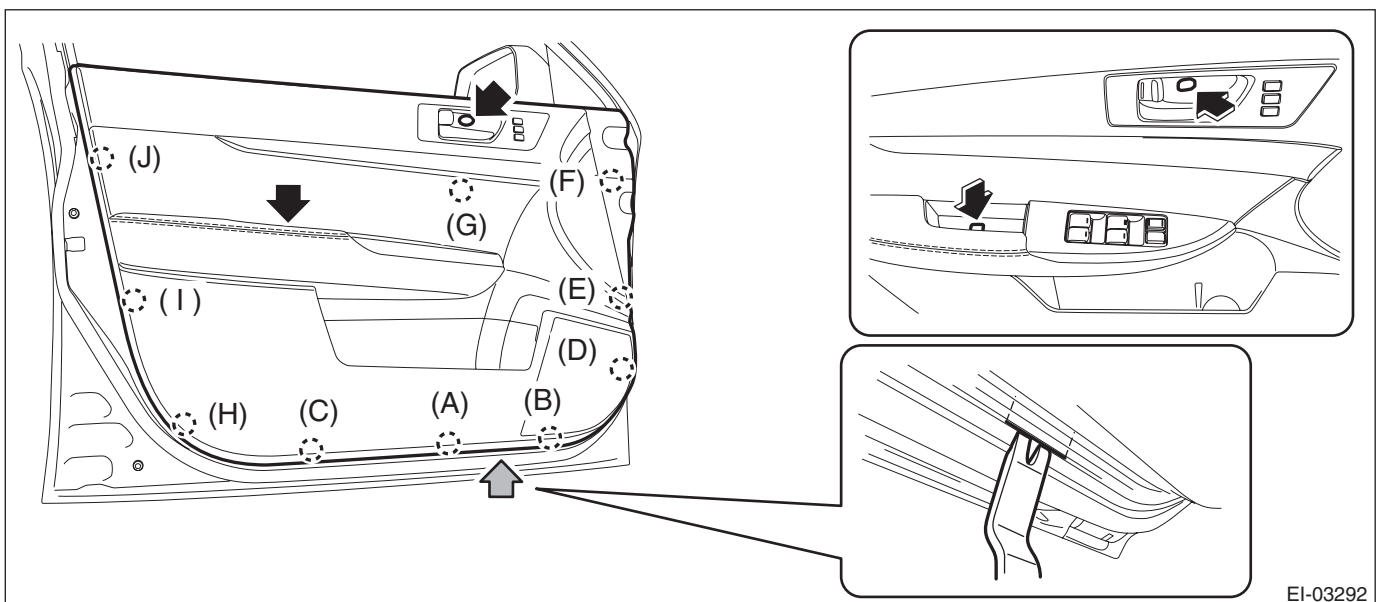
- 1) Disconnect the ground cable from battery.
- 2) Remove the gusset cover.
  - (1) Attach the protective tape (a) to the door trim.
  - (2) Release the clips and claws, then detach the gusset cover.



- 3) Remove the door trim assembly.
  - (1) Open the cover and remove the screw.
  - (2) Remove the clips in the order of (A) to (J) and remove the door trim assembly from the door panel.

### CAUTION:

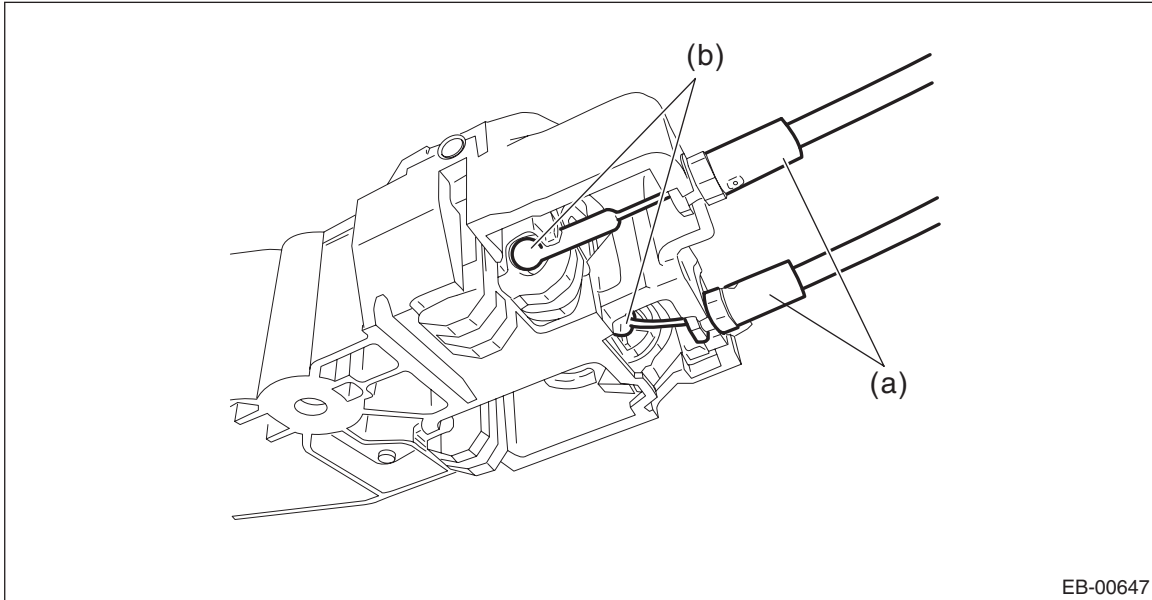
**When removing the door trim, be sure to remove the clips in the correct order. Forcibly removing clips may damage the door panel assembly.**



### NOTE:

Insert a plastic clip remover into the slit at the bottom of the door trim, to lift the door trim.

(3) Remove the cables (a) and (b) from the cable holder of inner remote.



EB-00647

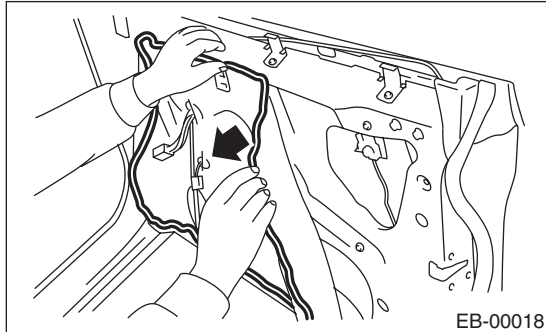
(4) Disconnect the harness connector and remove the door trim assembly.

4) Remove the sealing cover.

**CAUTION:**

- Carefully remove the butyl tape. Excessive force will easily break the cover.
- If the sealing cover gets broken, replace it with a new part.

- (1) Remove the screw to remove the door trim bracket.
- (2) Carefully remove the butyl tape to remove the sealing cover.



EB-00018

## B: INSTALLATION

**CAUTION:**

- If the sealing cover gets broken, replace it with a new part.
- Apply a uniform bead of butyl tape.
- Attach the sealing cover, keeping it from becoming wrinkled.
- Breaks in the bead will allow water leakage and contamination.

- 1) Install each part in the reverse order of removal.
- 2) When replacing the sealing cover, use the butyl tape.
- 3) Press the butyl tape-applied area firmly to prevent any floating on surface.

**Butyl tape:**

*3M8626 or equivalent*

## C: INSPECTION

If the sealing cover gets damaged, replace it with a new part.